

/home_parapet/canturk

```

_____.AbiSuite
    _____.AbiWord.Profile
_____.DCOPserver_esterhazy.ee.Princeton.EDU -> /home/canturk/.DCOPserver_esterhazy.ee.Princeton.EDU_0
_____.FIGlet_allfonts
_____.ICEauthority
_____.MCOP-random-seed
_____.RealNetworks_RealCookies_60
_____.RealNetworks_RealMediaSDK_60
_____.RealNetworks_RealPlayer_60
_____.RealNetworks_RealShared_00
_____.TWM-errors
_____.Trash
    _____.nautilus-metafile.xml
    _____.2002.doc
    _____.2002_11_21_095105_shot.jpg
    _____.2002_11_21_095246_shot.jpg
    _____.2002_11_21_095319_shot.jpg
    _____.2003 Graduate Student Announcement.doc
    _____.2003_04_24_020655_shot.jpg
    _____.CINT2000.005.ps
    _____.CINT2000.006.ps
    _____.CINT2000.033.ps
    _____.CINT2000.034.ps
    _____.CINT2000.036.ps
    _____.CINT2000.038.ps
    _____.CINT2000.044.ps
    _____.CINT2000.047.ps
    _____.Makefile
    _____.RealPlayer.kdelnk
    _____.TA-spring.pdf
    _____.all-files.tar.gz
    _____.autoconf
        _____.Alternative_Programs.html
        _____.Automatic_Remaking.html
        _____.Basic_Installation.html
        _____.Bootstrapping.html
        _____.Build_Directories.html
        _____.Cache_Files.html
        _____.Cache_Variable_Names.html
        _____.Caching_Results.html
        _____.Canonicalizing.html
        _____.Changed_File_Names.html
        _____.Changed_Macro_Writing.html
        _____.Changed_Macros.html
        _____.Changed_Makefiles.html
        _____.Changed_Results.html
        _____.Compiler_Characteristics.html
        _____.Compilers_and_Options.html
        _____.Configuration_Headers.html
        _____.Default_Prefix.html
        _____.Defining_Symbols.html
        _____.Dependencies_Between_Macros.html
        _____.Deuteronomy.html
        _____.Distributing.html
        _____.Environment_Variable_Index.html
        _____.Examining_Declarations.html
        _____.Examining_Libraries.html
        _____.Examining_Syntax.html
        _____.Existing_Tests.html
        _____.Exodus.html
        _____.External_Software.html
        _____.Generic_Functions.html
        _____.Generic_Headers.html
        _____.Generic_Programs.html
        _____.Generic_Typedefs.html
        _____.Genesis.html
        _____.Guidelines.html
        _____.Header_Files.html
        _____.Header_Templates.html
        _____.History.html
        _____.Input.html
        _____.Installation_Names.html
        _____.Introduction.html
        _____.Invoking_autoconf.html
        _____.Invoking_autoheader.html
        _____.Invoking_autoreconf.html
        _____.Invoking_autoscan.html

```

- ___ Invoking_autoupdate.html
- ___ Invoking_config.status.html
- ___ Invoking_configure.html
- ___ Invoking_ifnames.html
- ___ Language_Choice.html
- ___ Leviticus.html
- ___ Libraries.html
- ___ Library_Functions.html
- ___ Macro_Definitions.html
- ___ Macro_Index.html
- ___ Macro_Names.html
- ___ Makefile_Substitutions.html
- ___ Making_configure_Scripts.html
- ___ Manual_Configuration.html
- ___ Multiple_Architectures.html
- ___ Multiple_Cases.html
- ___ Numbers.html
- ___ Obsolete_Macros.html
- ___ Old_Macro_Names.html
- ___ Operation_Controls.html
- ___ Optional_Features.html
- ___ Output.html
- ___ Output_Variable_Index.html
- ___ Package_Options.html
- ___ Particular_Functions.html
- ___ Particular-Headers.html
- ___ Particular_Programs.html
- ___ Particular_Typedefs.html
- ___ Portable_Shell.html
- ___ Preprocessor_Symbol_Index.html
- ___ Prerequisite_Macros.html
- ___ Preset_Output_Variables.html
- ___ Printing_Messages.html
- ___ Questions.html
- ___ Quoting.html
- ___ Results.html
- ___ Run_Time.html
- ___ Setting_Output_Variables.html
- ___ Setup.html
- ___ Sharing_Defaults.html
- ___ Site_Configuration.html
- ___ Site_Defaults.html
- ___ Site_Details.html
- ___ Specifying_Names.html
- ___ Structures.html
- ___ Subdirectories.html
- ___ Suggested_Ordering.html
- ___ System_Services.html
- ___ System_Type.html
- ___ System_Type_Variables.html
- ___ Test_Functions.html
- ___ Test_Programs.html
- ___ Testing_Values_and_Files.html
- ___ Top.html
- ___ Transformation_Examples.html
- ___ Transformation_Options.html
- ___ Transformation_Rules.html
- ___ Transforming_Names.html
- ___ Typedefs.html
- ___ UNIX_Variants.html
- ___ Upgrading.html
- ___ Using_System_Type.html
- ___ Versions.html
- ___ Why_GNU_m4.html
- ___ Why_Not_Imake.html
- ___ Writing_Macros.html
- ___ Writing_Tests.html
- ___ Writing_configure.in.html
- ___ bar-006e6561b8.desktop
- ___ bar-006f5da193 (copy).desktop
- ___ bison
 - ___ Action_Features.html
 - ___ Action_Types.html
 - ___ Actions.html
 - ___ Algorithm.html
 - ___ Bison_Declarations.html
 - ___ Bison_Options.html
 - ___ Bison_Parser.html
 - ___ C_Code.html
 - ___ C_Declarations.html

— Calling_Convention.html
— Concepts.html
— Conditions.html
— Context_Dependency.html
— Contextual_Precedence.html
— Copying.html
— Debugging.html
— Decl_Summary.html
— Declarations.html
— Error_Recovery.html
— Error_Reporting.html
— Examples.html
— Exercises.html
— Expect_Decl.html
— Glossary.html
— Grammar_File.html
— Grammar_Layout.html
— Grammar_Outline.html
— Grammar_Rules.html
— Grammar_in_Bison.html
— How_Precedence.html
— Index.html
— Infix_Calc.html
— Interface.html
— Introduction.html
— Invocation.html
— Language_and_Grammar.html
— Lexical.html
— Lexical_Tie-ins.html
— Look-Ahead.html
— Mfcalc_Decl.html
— Mfcalc_Rules.html
— Mfcalc_Symtab.html
— Mid-Rule_Actions.html
— Multi-function_Calc.html
— Multiple_Parsers.html
— Multiple_Types.html
— Mystery_Conflicts.html
— Option_Cross_Key.html
— Parser_Function.html
— Parser_States.html
— Precedence.html
— Precedence_Decl.html
— Precedence_Examples.html
— Pure_Calling.html
— Pure_Decl.html
— RPN_Calc.html
— Recursion.html
— Reduce_Reduce.html
— Rpcalc_Compile.html
— Rpcalc_Decls.html
— Rpcalc_Error.html
— Rpcalc_Expr.html
— Rpcalc_Gen.html
— Rpcalc_Input.html
— Rpcalc_Lexer.html
— Rpcalc_Line.html
— Rpcalc_Main.html
— Rpcalc_Rules.html
— Rules.html
— Semantic_Actions.html
— Semantic_Tokens.html
— Semantic_Values.html
— Semantics.html
— Shift_Reduce.html
— Simple_Error_Recovery.html
— Stack_Overflow.html
— Stages.html
— Start_Decl.html
— Symbols.html
— Table_of_Symbols.html
— Tie-in_Recovery.html
— Token_Decl.html
— Token_Positions.html
— Token_Values.html
— Top.html
— Type_Decl.html
— Union_Decl.html
— Using_Precedence.html
— VMS_Invocation.html

- Value_Type.html
- Why_Precedence.html
- blah-004392544c.desktop
- cfg-paper
 - A_Walk_Through.html
 - Building_Development_Environments.html
 - Canadian_Cross.html
 - Configuration_Time_Options.html
 - Crossing_Into_Targets.html
 - Emulation_Environments.html
 - Final_Notes.html
 - Hacking_Configurations.html
 - Host_Environments.html
 - Index.html
 - Native_Development_Environments.html
 - Simple_Cross_Environments.html
 - Some_Basic_Terms.html
 - Specifics..html
 - top.html

- cl
 - Accumulation_Clauses.html
 - Argument_Lists.html
 - Assertions.html
 - Assignment.html
 - Association_Lists.html
 - Basic_Setf.html
 - Blocks_and_Exits.html
 - Common_Lisp_Compatibility.html
 - Conditionals.html
 - Control_Structure.html
 - Creating_Symbols.html
 - Customizing_Setf.html
 - Declarations.html
 - Dynamic_Bindings.html
 - Efficiency_Concerns.html
 - Equality_Predicates.html
 - For_Clauses.html
 - Function_Aliases.html
 - Function_Bindings.html
 - Function_Index.html
 - Generalized_Variables.html
 - Hash_Tables.html
 - Implementation_Parameters.html
 - Installation.html
 - Iteration.html
 - Iteration_Clauses.html
 - Lexical_Bindings.html
 - List_Functions.html
 - Lists.html
 - Lists_as_Sets.html
 - Loop_Basics.html
 - Loop_Examples.html
 - Loop_Facility.html
 - Macro_Bindings.html
 - Macros.html
 - Mapping_over_Sequences.html
 - Modify_Macros.html
 - Multiple_Values.html
 - Naming_Conventions.html
 - Numbers.html
 - Numerical_Functions.html
 - Old_CL_Compatibility.html
 - Organization.html
 - Other_Clauses.html
 - Overview.html
 - Porting_Common_Lisp.html
 - Predicates.html
 - Predicates_on_Numbers.html
 - Program_Structure.html
 - Property_Lists.html
 - Random_Numbers.html
 - Searching_Sequences.html
 - Sequence_Basics.html
 - Sequence_Functions.html
 - Sequences.html
 - Sorting_Sequences.html
 - Structures.html
 - Substitution_of_Expressions.html
 - Symbols.html
 - Time_of_Evaluation.html

- Top.html
- Type_Predicates.html
- Usage.html
- Variable_Bindings.html
- Variable_Index.html
- configure
 - Build_directories.html
 - Build_variables.html
 - Concept_Index.html
 - Declarations.html
 - Example.html
 - Host.html
 - Hosts_and_targets.html
 - Install_details.html
 - Install_locations.html
 - Invoking_configure.html
 - Makefile_extensions.html
 - Makefile_fragments.html
 - Makefile_generation.html
 - Minimal.html
 - Porting.html
 - Programs.html
 - Sites.html
 - Target.html
 - Top.html
 - Using_configure.html
 - Variables_Index.html
 - What_configure_does.html
 - What_configure_really_does.html
 - config.guess.html
 - config.status.html
 - configure.in.html
 - configure_variables.html
 - exec_prefix.html
 - per-host.html
 - per-target.html
 - post-target.html
 - prefix.html
- cpp
 - #elif_Directive.html
 - #else_Directive.html
 - #error_Directive.html
 - #if_Directive.html
 - Argument_Macros.html
 - Argument_Prescan.html
 - Assertions.html
 - Cascaded_Macros.html
 - Combining_Sources.html
 - Concatenation.html
 - Concept_Index.html
 - Conditional_Syntax.html
 - Conditional_Uses.html
 - Conditionals-Macros.html
 - Conditionals.html
 - Deleted_Code.html
 - Directives.html
 - Global_Actions.html
 - Header_Files.html
 - Header_Uses.html
 - Include_Operation.html
 - Include_Syntax.html
 - Index.html
 - Inheritance.html
 - Invocation.html
 - Macro_Parentheses.html
 - Macro_Pitfalls.html
 - Macros.html
 - Misnesting.html
 - Newlines_in_Args.html
 - Nonstandard_Predefined.html
 - Once-Only.html
 - Other_Directives.html
 - Output.html
 - Predefined.html
 - Redefining.html
 - Self-Reference.html
 - Side_Effects.html
 - Simple_Macros.html
 - Standard_Predefined.html
 - Stringification.html

- Swallow_Semicolon.html
- Top.html
- Undefined.html
- ediff
 - Commands.html
 - Credits.html
 - Customization.html
 - Customizing_the_Mode_Line.html
 - Highlighting_Difference_Regions.html
 - Hooks.html
 - Index.html
 - Introduction.html
 - Major_Entry_Points.html
 - Merging_and_diff3.html
 - Miscellaneous.html
 - Narrowing.html
 - Notes_on_Heavy-duty_Customization.html
 - Patch_and_Diff_Programs.html
 - Quick_Help.html
 - Refinement_of_Difference_Regions.html
 - Remote_and_Compressed_Files.html
 - Selective_Browsing.html
 - Support_for_Version_Control.html
 - Top.html
 - Window_and_Frame_Configuration.html

- ee.desktop

- emacs
 - Abbrev_Concepts.html
 - Abbrevs.html
 - Accumulating_Text.html
 - Acknowledgments.html
 - Action_Arguments.html
 - Adding_to_Diary.html
 - Amusements.html
 - Antinews.html
 - Appending_Kills.html
 - Appointments.html
 - Apropos.html
 - Arguments.html
 - Asm_Mode.html
 - Auto_Fill.html
 - Auto_Save.html
 - Auto_Save_Control.html
 - Auto_Save_Files.html
 - Backup.html
 - Backup_Copying.html
 - Backup_Deletion.html
 - Backup_Names.html
 - Balanced_Editing.html
 - Basic.html
 - Basic_Files.html
 - Basic_Help.html
 - Basic_Indent.html
 - Basic_Kbd_Macro.html
 - Basic_Picture.html
 - Basic_Window.html
 - Blank_Lines.html
 - Bookmarks.html
 - Borders_X.html
 - Branches.html
 - Buffers.html
 - Buffers_of_GNUS.html
 - Bug_Criteria.html
 - Bugs.html
 - Building.html
 - CVS_and_VC.html
 - C_Indent.html
 - C_Mode.html
 - Calendar_Diary.html
 - Calendar_Motion.html
 - Calendar_Systems.html
 - Calendar_Unit_Motion.html
 - Case.html
 - Change_Log.html
 - Change_Logs_and_VC.html
 - Change_Window.html
 - Check-In.html
 - Check-Out.html
 - Checklist.html
 - Choosing_Modes.html

- Colors_X.html
- Combining_in_Emerge.html
- Command_Arguments.html
- Command_Example.html
- Command_Index.html
- Commands.html
- Commands_of_GUD.html
- Comment_Commands.html
- Comments.html
- Comparing_Files.html
- Comparison_in_Dired.html
- Compilation.html
- Completion.html
- Completion_Commands.html
- Completion_Example.html
- Completion_Options.html
- Concept_Index.html
- Continuation_Lines.html
- Copying.html
- Counting_Days.html
- Create_Tags_Table.html
- Creating_Branches.html
- Creating_Frames.html
- Customization.html
- Customizing_VC.html
- DEL_Gets_Help.html
- Date_Formats.html
- Daylight_Savings.html
- Debugger_Operation.html
- Debuggers.html
- Defining_Abbrevs.html
- Defuns.html
- Deletion.html
- Diary.html
- Diary_Commands.html
- Directories.html
- Dired.html
- Dired_Commands.html
- Dired_Deletion.html
- Dired_Enter.html
- Dired_Updating.html
- Dired_Visiting.html
- Dired_and_Find.html
- Disabling.html
- Display.html
- Display_Vars.html
- Display_X.html
- Dissociated_Press.html
- Distracting_NSA.html
- Distrib.html
- Documentation.html
- Dynamic_Abbrevs.html
- Earlier_Kills.html
- Echo_Area.html
- Edit_Options.html
- Editing_Abbrevs.html
- Editing_Binary_Files.html
- Editing_Format_Info.html
- Editing_with_VC.html
- Emacs_Server.html
- Emerge.html
- Emergency_Escape.html
- Emulation.html
- Entering_Emacs.html
- Environment.html
- Erasing.html
- European_Display.html
- Examining.html
- Executing_Lisp.html
- Exiting.html
- Exiting_Emerge.html
- Expanding_Abbrevs.html
- External_Lisp.html
- Faces.html
- File_Aliases.html
- File_Names.html
- File_Variables.html
- Files.html
- Fill_Commands.html
- Fill_Prefix.html

— Filling.html
— Find_Init.html
— Find_Tag.html
— Fine_Points_of_Emerge.html
— Fixing_Case.html
— Fixit.html
— Flagging_Many_Files.html
— Font_X.html
— ForIndent_Commands.html
— ForIndent_Cont.html
— ForIndent_Conv.html
— ForIndent_Num.html
— ForIndent_Vars.html
— Force_Same_Window.html
— Forcing_Enriched_Mode.html
— Format_Colors.html
— Format_Faces.html
— Format_Indentation.html
— Format_Justification.html
— Format_Properties.html
— Format_of_Diary_File.html
— Formatted_Text.html
— Fortran.html
— Fortran_Abbrev.html
— Fortran_Autofill.html
— Fortran_Columns.html
— Fortran_Comments.html
— Fortran_Indent.html
— Fortran_Motion.html
— Frame_Parameters.html
— Frames.html
— From_Other_Calendar.html
— Function_Keys.html
— GNUS.html
— GNUS_Startup.html
— GUD_Customization.html
— General_Calendar.html
— General_Variables.html
— Global_Mark_Ring.html
— Glossary.html
— Hard_and_Soft_Newlines.html
— Hardcopy.html
— Help.html
— Help_Summary.html
— Hiding_Subdirectories.html
— History_References.html
— Holidays.html
— Hooks.html
— Horizontal_Scrolling.html
— Icons_X.html
— Incremental_Search.html
— Indentation.html
— Indentation_Commands.html
— Indirect_Buffers.html
— Init_Examples.html
— Init_File.html
— Init_Rebinding.html
— Init_Syntax.html
— Initial_Options.html
— Insert_in_Picture.html
— Inserting_Text.html
— Interactive_Shell.html
— Interlocking.html
— Intro.html
— Just_Spaces.html
— Kbd_Macro_Query.html
— Key_Bindings.html
— Key_Help.html
— Key_Index.html
— Keyboard_Macros.html
— Keyboard_Translations.html
— Keymaps.html
— Keys.html
— Kill_Buffer.html
— Kill_Errors.html
— Kill_Ring.html
— Killing.html
— Killing_by_Lines.html
— LaTeX_Editing.html
— Library_Keywords.html

- Lisp_Eval.html
- Lisp_Indent.html
- Lisp_Interaction.html
- Lisp_Libraries.html
- List_Buffers.html
- List_Commands.html
- List_Tags.html
- Lists.html
- Local_Keymaps.html
- Locals.html
- Log_Entries.html
- Lossage.html
- Lucid_Resources.html
- Lunar_Phases.html
- M-x.html
- MS-DOS.html
- Mail_Aliases.html
- Mail_Format.html
- Mail_Headers.html
- Mail_Mode.html
- Major_Modes.html
- Making_Snapshots.html
- Manifesto.html
- Mark.html
- Mark_Ring.html
- Marking_Objects.html
- Marks_vs_Flags.html
- Matching.html
- Mayan_Calendar.html
- Memory_Full.html
- Menu_Bars.html
- Menu_Mouse_Clicks.html
- Merge_Commands.html
- Minibuffer.html
- Minibuffer_Edit.html
- Minibuffer_File.html
- Minibuffer_History.html
- Minibuffer_Maps.html
- Minor_Modes.html
- Misc_Buffer.html
- Misc_File_Ops.html
- Misc_Help.html
- Misc_Variables.html
- Misc_X.html
- Mode_Line.html
- Mode_Line_Mouse.html
- Modifying_Faces.html
- Motif_Resources.html
- Mouse_Buttons.html
- Mouse_Commands.html
- Mouse_References.html
- Move_to_Beginning_or_End.html
- Moving_Point.html
- Multi-Line_Comments.html
- Multi-User_Branching.html
- Multi-line_Indent.html
- Multiple_Displays.html
- Name_Help.html
- Named_ASCII_Chars.html
- Narrowing.html
- Nonincremental_Search.html
- Nroff_Mode.html
- Old_Versions.html
- Operating_on_Files.html
- Optional_Mode_Line.html
- Options_for_Comments.html
- Other_Calendars.html
- Other_Kill_Commands.html
- Other_Repeating_Search.html
- Other_Window.html
- Out_of_Rmail.html
- Outline_Format.html
- Outline_Mode.html
- Outline_Motion.html
- Outline_Views.html
- Outline_Visibility.html
- Overview_of_Emerge.html
- Pages.html
- Paragraphs.html
- Picture.html

Point.html
Pop_Up_Window.html
Position_Info.html
Postscript.html
Prefix_Keymaps.html
Program_Indent.html
Program_Modes.html
Programs.html
Query_Replace.html
Quitting.html
Rebinding.html
Recover.html
Rectangles.html
Rectangles_in_Picture.html
Recursive_Edit.html
RegConfig.html
RegFiles.html
RegPos.html
RegRect.html
RegText.html
Regexp_Replace.html
Regexp_Search.html
Regexp.html
Registering.html
Registers.html
Remote_Host.html
Renaming_and_VC.html
Repetition.html
Replace.html
Replacement_and_Case.html
Requesting_Formatted_Text.html
Resources_X.html
Resume_Arguments.html
Reverting.html
Rmail.html
Rmail_Basics.html
Rmail_Deletion.html
Rmail_Digest.html
Rmail_Display.html
Rmail_Editing.html
Rmail_Files.html
Rmail_Inbox.html
Rmail_Labels.html
Rmail_Make_Summary.html
Rmail_Motion.html
Rmail_Output.html
Rmail_Reply.html
Rmail_Rot13.html
Rmail_Scrolling.html
Rmail_Sorting.html
Rmail_Summary.html
Rmail_Summary_Edit.html
Save_Kbd_Macro.html
Saving.html
Saving_Abbrevs.html
Saving_Emacs_Sessions.html
Screen.html
Screen_Garbled.html
Scroll_Bars.html
Scroll_Calendar.html
Scrolling.html
Search.html
Search_Case.html
Secondary_Selection.html
Select_Buffer.html
Select_Tags_Table.html
Selective_Display.html
Sending_Mail.html
Sending_Patches.html
Sentences.html
Service.html
Setting_Mark.html
Several_Buffers.html
Shell.html
Shell_Commands_in_Dired.html
Shell_History.html
Shell_History_Copying.html
Shell_Mode.html
Shell_Options.html
Shell_Ring.html

- Single_Shell.html
- Snapshot_Caveats.html
- Snapshots.html
- Sorting.html
- Special_Buffer_Frames.html
- Special_Diary_Entries.html
- Specified_Dates.html
- Spelling.html
- Split_Window.html
- Starting_GUD.html
- State_of_Difference.html
- Status_in_VC.html
- Strict_Completion.html
- Stuck_Recursive.html
- Subdirectories_in_Dired.html
- Subdirectory_Motion.html
- Submodes_of_Emerge.html
- Summary_of_GNUS.html
- Sunrise_Sunset.html
- Switching_Branches.html
- Symbol_Completion.html
- Syntax.html
- Tab_Stops.html
- Tabs_in_Picture.html
- Tag_Syntax.html
- Tags.html
- Tags_Search.html
- Tags_Stepping.html
- TeX_Distrib.html
- TeX_Editing.html
- TeX_Mode.html
- TeX_Print.html
- Terminal_Init.html
- Text.html
- Text_Characters.html
- Text_Garbled.html
- Text_Mode.html
- To_Other_Calendar.html
- Top.html
- Total_Frustration.html
- Transforming_File_Names.html
- Transient_Mark.html
- Transpose.html
- Two-Column.html
- Unasked-for_Search.html
- Unconditional_Replace.html
- Understanding_Bug_Reporting.html
- Undo.html
- User_Input.html
- Using_Region.html
- VC_Concepts.html
- VC_Mode_Line.html
- Variable_Index.html
- Variables.html
- Version_Control.html
- Version_Control_Undo.html
- Version_Headers.html
- Version_Systems.html
- Visiting.html
- Window_Size_X.html
- Windows.html
- Word_Search.html
- Words.html
- Yanking.html
- events.ps
- fileutils
 - Backup_options.html
 - Basic_operations.html
 - Changing_Special_Permissions.html
 - Changing_file_attributes.html
 - Common_options.html
 - Conditional_Executability.html
 - Copying_Permissions.html
 - Directory_listing.html
 - Disk_usage.html
 - File_permissions.html
 - Formatting_the_filenames.html
 - General_output_formatting.html
 - Index.html
 - Introduction.html

- Mode_Structure.html
- Multiple_Changes.html
- Numeric_Modes.html
- Setting_Permissions.html
- Sorting_the_output.html
- Special_file_types.html
- Symbolic_Modes.html
- Top.html
- Umask_and_Protection.html
- What_information_is_listed.html
- Which_files_are_listed.html
- chgrp_invocation.html
- chmod_invocation.html
- chown_invocation.html
- cp_invocation.html
- dd_invocation.html
- df_invocation.html
- dir_invocation.html
- du_invocation.html
- install_invocation.html
- ln_invocation.html
- ls_invocation.html
- mkdir_invocation.html
- mkfifo_invocation.html
- mknod_invocation.html
- mv_invocation.html
- rm_invocation.html
- rmdir_invocation.html
- sync_invocation.html
- touch_invocation.html
- vdir_invocation.html
- flash/
- flash_linux (copy)
 - README
 - ReadMe.htm
 - ShockwaveFlash.class
 - libflashplayer.so
- flex
 - Actions.html
 - Author.html
 - C++.html
 - Deficiencies.html
 - Description.html
 - Diagnostics.html
 - End-of-file_rules.html
 - Examples.html
 - Files.html
 - Format.html
 - Generated_scanner.html
 - Incompatibilities.html
 - Matching.html
 - Miscellaneous.html
 - Multiple_buffers.html
 - Name.html
 - Options.html
 - Overview.html
 - Patterns.html
 - Performance.html
 - See_also.html
 - Start_conditions.html
 - Synopsis.html
 - Top.html
 - User_variables.html
 - YACC_interface.html
- foo-003d8ca1f1 (copy).desktop
- foo-003d8ca1f1.desktop
- foo-007a2c213c.desktop
- foreign-audio (copy).html
- foreign-audio.html
- forms
 - Control_File_Format.html
 - Credits.html
 - Data_File_Format.html
 - Entering_and_Exiting_Forms_Mode.html
 - Error_Messages.html
 - Format_Description.html
 - Forms_Commands.html
 - Forms_Example.html
 - Index.html
 - Long_Example.html

- Miscellaneous.html
- Modifying_Forms_Contents.html
- Top.html

- frobate-004f9c621d.desktop

- g++int

- Access_Control.html
- Coding_Conventions.html
- Concept_Index.html
- Copying_Objects.html
- Error_Reporting.html
- Exception_Handling.html
- Free_Store.html
- Glossary.html
- Implementation_Specifics.html
- Limitations_of_g++.html
- Macros.html
- Parser.html
- Routines.html
- Templates.html
- Top.html
- Typical_Behavior.html

- gawk

- AWKPATH_Variable.html
- Actions.html
- Actions_Summary.html
- Arithmetic_Ops.html
- Array_Example.html
- Array_Intro.html
- Arrays.html
- Arrays_Summary.html
- Assigning_Elements.html
- Assignment_Ops.html
- Assignment_Options.html
- Atari_Installation.html
- Auto-set.html
- BEGIN_END.html
- Basic_Printf.html
- Boolean_Ops.html
- Boolean_Patterns.html
- Break_Statement.html
- Bugs.html
- Built-in.html
- Built-in_Summary.html
- Built-in_Variables.html
- Calling_Built-in.html
- Case-sensitivity.html
- Changing_Fields.html
- Close_Input.html
- Close_Output.html
- Command_Line.html
- Command_Line_Summary.html
- Comments.html
- Comparison_Ops.html
- Comparison_Patterns.html
- Compatibility_Mode.html
- Concatenation.html
- Conditional_Exp.html
- Configuration_Philosophy.html
- Constant_Size.html
- Constants.html
- Continue_Statement.html
- Control_Flow_Summary.html
- Control_Letters.html
- Conversion.html
- Copying.html
- Data_Type_Summary.html
- Definition_Syntax.html
- Delete.html
- Distribution_contents.html
- Do_Statement.html
- Empty.html
- Executable_Scripts.html
- Exit_Statement.html
- Expression_Patterns.html
- Expressions.html
- Extracting.html
- Field_Separators.html
- Fields.html
- Fields_Summary.html
- File_Pipe_Redirection.html

- ___ For_Statement.html
- ___ Format_Modifiers.html
- ___ Function_Calls.html
- ___ Function_Caveats.html
- ___ Function_Example.html
- ___ Functions_Summary.html
- ___ Future_Extensions.html
- ___ Gawk_Distribution.html
- ___ Gawk_Summary.html
- ___ Getline.html
- ___ Getting_Started.html
- ___ Glossary.html
- ___ Historical_Features.html
- ___ History.html
- ___ I_O_Functions.html
- ___ I_O_Summary.html
- ___ If_Statement.html
- ___ Improvements.html
- ___ Increment_Ops.html
- ___ Index.html
- ___ Installation.html
- ___ Kinds_of_Patterns.html
- ___ Language_History.html
- ___ Language_Summary.html
- ___ Long.html
- ___ MS-DOS_Installation.html
- ___ More_Complex.html
- ___ Multi-dimensional.html
- ___ Multi-scanning.html
- ___ Multiple_Line.html
- ___ New_Configurations.html
- ___ Next_File_Statement.html
- ___ Next_Statement.html
- ___ Non-Constant_Fields.html
- ___ Notes.html
- ___ Numeric_Array_Subscripts.html
- ___ Numeric_Functions.html
- ___ Numeric_Functions_Summary.html
- ___ OFMT.html
- ___ Obsolete.html
- ___ One-liners.html
- ___ One-shot.html
- ___ Operator_Summary.html
- ___ Options.html
- ___ Other_Arguments.html
- ___ Output_Separators.html
- ___ POSIX.html
- ___ POSIX_GNU.html
- ___ Pattern_Summary.html
- ___ Patterns.html
- ___ Precedence.html
- ___ Preface.html
- ___ Print.html
- ___ Print_Examples.html
- ___ Printf.html
- ___ Printf_Examples.html
- ___ Printf_Summary.html
- ___ Printing.html
- ___ Quick_Installation.html
- ___ Ranges.html
- ___ Read_Terminal.html
- ___ Reading_Files.html
- ___ Records.html
- ___ Redirection.html
- ___ Reference_to_Elements.html
- ___ Regexp.html
- ___ Regexp_Operators.html
- ___ Regexp_Summary.html
- ___ Regexp_Usage.html
- ___ Return_Statement.html
- ___ Rules_Summary.html
- ___ Running_gawk.html
- ___ \$5R4.html
- ___ Sample_Data_Files.html
- ___ Sample_Program.html
- ___ Scanning_an_Array.html
- ___ Special_File_Summary.html
- ___ Special_Files.html
- ___ Statements.html
- ___ Statements_Lines.html

- String_Constants_Summary.html
- String_Functions.html
- String_Functions_Summary.html
- This_Manual.html
- Time_Functions.html
- Time_Functions_Summary.html
- Top.html
- Two_Rules.html
- Undocumented.html
- Unix_Installation.html
- User-defined.html
- User-modified.html
- V7_S5R3.1.html
- VMS_Compilation.html
- VMS_Installation.html
- VMS_Installation_Details.html
- VMS_POSIX.html
- VMS_Running.html
- Values.html
- Variables.html
- Variables_Fields.html
- Very_Simple.html
- When.html
- While_Statement.html

- gcalc.desktop

- gcc

- AMD29K_Options.html
- ARM_Options.html
- Accessors.html
- Actual_Bugs.html
- Addressing_Modes.html
- Aggregate_Return.html
- Alignment.html
- Alignment_Output.html
- All_Debuggers.html
- Allocation_Order.html
- Alternate_Keywords.html
- Arithmetic.html
- Asm_Labels.html
- Assembler.html
- Assembler_Format.html
- Assembler_Options.html
- Attr_Example.html
- Bit_Fields.html
- Bug_Criteria.html
- Bug_Lists.html
- Bug_Reporting.html
- Bugs.html
- Build_Cross.html
- C++_Dialect_Options.html
- C++_Extensions.html
- C++_Interface.html
- C++_Misunderstandings.html
- C++_Signatures.html
- C_Dialect_Options.html
- C_Extensions.html
- Caller_Saves.html
- Calls.html
- Case_Ranges.html
- Cast_to_Union.html
- Character_Escapes.html
- Class_Preferences.html
- Clipper_Options.html
- Code_Gen_Options.html
- Collect2.html
- Comparisons.html
- Complex.html
- Condition_Code.html
- Conditionals.html
- Config.html
- Configurations.html
- Configure_Cross.html
- Constant_Attributes.html
- Constants.html
- Constraints.html
- Constructing_Calls.html
- Constructors.html
- Contributors.html
- Conversions.html
- Convex_Options.html

- Copying.html
- Costs.html
- Cross-Compiler.html
- Cross-Compiler_Problems.html
- Cross-compilation.html
- Cross_Headers.html
- Cross_Runtime.html
- DBX_Hooks.html
- DBX_Options.html
- DEC_Alpha_Options.html
- Data_Output.html
- Debugging_Info.html
- Debugging_Options.html
- Defining_Attributes.html
- Delay_Slots.html
- Dependent_Patterns.html
- Destructors_and_Goto.html
- Directory_Options.html
- Disappointments.html
- Dispatch_Tables.html
- Dollar_Signs.html
- Driver.html
- Elimination.html
- Environment_Variables.html
- Example.html
- Expander_Definitions.html
- Explicit_Reg_Vars.html
- Expressions.html
- Extended_Asm.html
- External_Bugs.html
- File_Framework.html
- File_Names_and_DBX.html
- Fixed_Headers.html
- Flags.html
- Frame_Layout.html
- Frame_Registers.html
- Function_Attributes.html
- Function_Entry.html
- Function_Names.html
- Function_Prototypes.html
- Function_Units.html
- Funding.html
- G++_and_GCC.html
- Global_Declarations.html
- Global_Reg_Vars.html
- H8_300_Options.html
- HPPA_Options.html
- Header_Dirs.html
- Incdec.html
- Include_Files_and_VMS.html
- Incompatibilities.html
- Incomplete_Enums.html
- Index.html
- Initialization.html
- Initializers.html
- Inline.html
- Insn_Attributes.html
- Insn_Canonicalizations.html
- Insn_Lengths.html
- Insn_Splitting.html
- Insns.html
- Installation.html
- Installation_Problems.html
- Instruction_Output.html
- Intel_960_Options.html
- Interface.html
- Interoperation.html
- Invoking_G++.html
- Invoking_GCC.html
- Jump_Patterns.html
- Label_Output.html
- Labeled_Elements.html
- Labels_as_Values.html
- Leaf_Functions.html
- Library_Calls.html
- Link_Options.html
- Local_Labels.html
- Local_Reg_Vars.html
- Long_Long.html
- Look_and_Feel.html

- [Lvalues.html](#)
- [M680x0_Options.html](#)
- [M88K_Options.html](#)
- [MIPS_Options.html](#)
- [Machine_Constraints.html](#)
- [Machine_Desc.html](#)
- [Machine_Modes.html](#)
- [Macro_Varargs.html](#)
- [Macros_for_Initialization.html](#)
- [Min_and_Max.html](#)
- [Misc.html](#)
- [Modifiers.html](#)
- [Multi-Alternative.html](#)
- [Naming_Results.html](#)
- [Naming_Types.html](#)
- [Nested_Functions.html](#)
- [No_Constraints.html](#)
- [Non-bugs.html](#)
- [Obsolete_Register_Macros.html](#)
- [Optimize_Options.html](#)
- [Option_Summary.html](#)
- [Other_Dir.html](#)
- [Output_Statement.html](#)
- [Output_Template.html](#)
- [Overall_Options.html](#)
- [PIC.html](#)
- [Passes.html](#)
- [Pattern_Ordering.html](#)
- [Patterns.html](#)
- [Peephole_Definitions.html](#)
- [Pointer_Arith.html](#)
- [Portability.html](#)
- [Preprocessor_Options.html](#)
- [Profiling.html](#)
- [Protoize_Caveats.html](#)
- [RS_6000_and_PowerPC_Options.html](#)
- [RTL.html](#)
- [RTL_Declarations.html](#)
- [RTL_Objects.html](#)
- [RTL_Template.html](#)
- [RT_Options.html](#)
- [Reading_RTL.html](#)
- [Register_Arguments.html](#)
- [Register_Basics.html](#)
- [Register_Classes.html](#)
- [Registers.html](#)
- [Regs_and_Memory.html](#)
- [Run-time_Target.html](#)
- [Running_Protoize.html](#)
- [SDB_and_DWARF.html](#)
- [SPARC_Options.html](#)
- [Scalar_Return.html](#)
- [Sections.html](#)
- [Sending_Patches.html](#)
- [Service.html](#)
- [Sharing.html](#)
- [Side_Effects.html](#)
- [Simple_Constraints.html](#)
- [Stack_Arguments.html](#)
- [Stack_Registers.html](#)
- [Stack_and_Calling.html](#)
- [Standard_Libraries.html](#)
- [Standard_Names.html](#)
- [Statement_Exprs.html](#)
- [Static_Definitions.html](#)
- [Steps_of_Cross.html](#)
- [Storage_Layout.html](#)
- [Submodel_Options.html](#)
- [Subscripting.html](#)
- [Sun_Install.html](#)
- [System_V_Options.html](#)
- [Tagging_Insns.html](#)
- [Target_Macros.html](#)
- [Target_Options.html](#)
- [Template_Instantiation.html](#)
- [Temporaries.html](#)
- [Tools_and_Libraries.html](#)
- [Top.html](#)
- [Trampolines.html](#)
- [Trouble.html](#)

- ___Type_Attributes.html
- ___Type_Layout.html
- ___Typeof.html
- ___Uninitialized_Data.html
- ___VAX_Options.html
- ___VMS.html
- ___VMS_Install.html
- ___VMS_Misc.html
- ___Values_in_Registers.html
- ___Varargs.html
- ___Variable_Attributes.html
- ___Variable_Length.html
- ___Warning_Options.html
- ___Warnings_and_Errors.html
- ___Zero_Length.html
- ___i386_Options.html
- gftp.desktop
- gncal.desktop
- gnuinfo.css
- gnus
 - ___Advanced_Kills.html
 - ___Article_Commands.html
 - ___Background_Kills.html
 - ___Browsing_Newsgroups.html
 - ___Buffers_of_GNUS.html
 - ___Customization.html
 - ___Digest_Articles.html
 - ___Directory_Variables.html
 - ___Editing_Kill_Files.html
 - ___Exiting_GNUS.html
 - ___Exiting_Newsgroup.html
 - ___Finding_the_News.html
 - ___Forward_and_Reply.html
 - ___Getting_Started.html
 - ___Hooks.html
 - ___Index.html
 - ___Kill_File.html
 - ___Kill_File_Example.html
 - ___Maintaining_Subscriptions.html
 - ___Making_a_Kill_File.html
 - ___Marking_Articles.html
 - ___Moving_Among_Articles.html
 - ___NNTP_Variables.html
 - ___Names_of_Kill_Files.html
 - ___Newsgroup_Buffer.html
 - ___Newsgroup_Commands.html
 - ___Other_Newsgroup_Commands.html
 - ___Posting_Articles.html
 - ___Reading_Articles.html
 - ___Reading_an_Article.html
 - ___Referencing_Articles.html
 - ___Reporting_Bugs.html
 - ___Saving_Articles.html
 - ___Scrolling.html
 - ___Searching_Articles.html
 - ___Selecting_a_Newsgroup.html
 - ___Sorting-Headers.html
 - ___Spool_Variables.html
 - ___Starting_Up.html
 - ___Startup_File.html
 - ___Summary_Buffer.html
 - ___Summary_Commands.html
 - ___Summary_Motion.html
 - ___Thread-based_Reading.html
 - ___Top.html
 - ___Troubleshooting.html
 - ___Variables.html
- gpm
 - ___Bugs_and_Problems.html
 - ___Building_the_Release.html
 - ___Demo_Clients.html
 - ___Dispatching_Events.html
 - ___Emacs_Support.html
 - ___Event_Types.html
 - ___Events.html
 - ___Function_Index.html
 - ___Getting_Events.html
 - ___Gpm_Internals.html
 - ___High_Level_Lib.html
 - ___Kernel_Patches.html

- Margins.html
- Misc_Functions.html
- Mouse_Handlers.html
- Mouse_Types.html
- Open_and_Close.html
- Overview.html
- Server_Invocation.html
- Support_Functions.html
- The_API.html
- The_ClientLib.html
- Top.html
- Variables.html
- Xterm.html
- gpm-root.html
- mev.html
- rmev.html
- gqview.desktop
- gzip
 - Advanced_usage.html
 - Concept_Index.html
 - Copying.html
 - Environment.html
 - Invoking_gzip.html
 - Overview.html
 - Problems.html
 - Sample.html
 - Tapes.html
 - Top.html
- hammer-007742d793.desktop
- history
 - Concept_Index.html
 - Event_Designators.html
 - Function_and_Variable_Index.html
 - History_Expansion.html
 - History_Functions.html
 - History_Interaction.html
 - History_List_Management.html
 - History_Programming_Example.html
 - History_Storage.html
 - History_Variables.html
 - Information_About_the_History_List.html
 - Initializing_History_and_State_Management.html
 - Introduction_to_History.html
 - Managing_the_History_File.html
 - Modifiers.html
 - Moving_Around_the_History_List.html
 - Programming_with_GNU_History.html
 - Searching_the_History_List.html
 - Top.html
 - Using_History_Interactively.html
 - Word_Designators.html
- index.html
- index.html.auto
- index.html.handtuned
- info
 - Add.html
 - Advanced_Info.html
 - Checking.html
 - Create_an_Info_File.html
 - Cross-refs.html
 - Emacs_Info_Variables.html
 - Expert.html
 - Getting_Started.html
 - Help-Adv.html
 - Help-Cross.html
 - Help-FOO.html
 - Help-M.html
 - Help-P.html
 - Help-Q.html
 - Help-Small-Screen.html
 - Help-^L.html
 - Help.html
 - Menus.html
 - Tags.html
 - Top.html
- info-std
 - Basic_Windows.html
 - Cursor_Commands.html
 - GNU_Info_Global_Index.html
 - Miscellaneous_Commands.html

- Node_Commands.html
- Options.html
- Parts_of_an_Xref.html
- Printing_Nodes.html
- Scrolling_Commands.html
- Searching_Commands.html
- Selecting_Xrefs.html
- The_Echo_Area.html
- The_Mode_Line.html
- Top.html
- Variables.html
- What_is_Info.html
- Window_Commands.html
- Xref_Commands.html

iostream

- Acknowledgements.html
- Areas.html
- Backing_Up.html
- Char_Input.html
- Copying.html
- Extending.html
- Files.html
- Files_and_Strings.html
- Format_Control.html
- Formatting.html
- Index.html
- Indirectbuf.html
- Input_Position.html
- Introduction.html
- Ios.html
- Iostream.html
- Istream.html
- Istream_Housekeeping.html
- Manipulators.html
- Operators.html
- Ostream.html
- Ostream_Housekeeping.html
- Output_Position.html
- Overflow.html
- Procbuf.html
- States.html
- Stdio.html
- Stdiobuf.html
- Streambuf.html
- Streambuf_from_Ios.html
- Streams.html
- String_Input.html
- Strings.html
- Synchronization.html
- Top.html
- Writing.html

ipc

- Messages.html
- Notes.html
- Overview.html
- Semaphores.html
- Shared_Memory.html
- example.html
- msgctl.html
- msgget.html
- msglimits.html
- msgrcv.html
- msgsnd.html
- perms.html
- semctl.html
- semget.html
- semlimits.html
- semop.html
- shmat.html
- shmctl.html
- shmdt.html
- shmget.html
- shmlimits.html
- syscalls.html
- top.html

- kcalc.desktop

- khexedit.desktop

- kpager.desktop

libc

- ANSI_C.html

— [ANSI_Random.html](#)
— [Aborting_a_Program.html](#)
— [Absolute_Value.html](#)
— [Abstract_Host_Addresses.html](#)
— [Accepting_Connections.html](#)
— [Access_Modes.html](#)
— [Access_Permission.html](#)
— [Access_to_the_Terminal.html](#)
— [Accessing_Directories.html](#)
— [Address_Formats.html](#)
— [Advanced_Signal_Handling.html](#)
— [Advantages_of_Alloca.html](#)
— [Alarm_Signals.html](#)
— [Aligned_Memory_Blocks.html](#)
— [Alloca_Example.html](#)
— [Allocating_Cleared_Space.html](#)
— [Allocation_in_an_Obstack.html](#)
— [Argument_Macros.html](#)
— [Argument_Syntax.html](#)
— [Arithmetic.html](#)
— [Array_Search_Function.html](#)
— [Array_Sort_Function.html](#)
— [Asynchronous_I_O_Signals.html](#)
— [Atomic_Data_Access.html](#)
— [Atomic_Types.html](#)
— [Atomic_Usage.html](#)
— [Attribute_Meanings.html](#)
— [BSD_Handler.html](#)
— [BSD_Random.html](#)
— [BSD_Signal_Handling.html](#)
— [BSD_Wait_Functions.html](#)
— [Basic_Allocation.html](#)
— [Basic_CPU_Time.html](#)
— [Basic_Signal_Handling.html](#)
— [Berkeley_Unix.html](#)
— [Binary_Streams.html](#)
— [Block_Input_Output.html](#)
— [Blocking_Signals.html](#)
— [Blocking_for_Handler.html](#)
— [Blocking_in_BSD.html](#)
— [Broken-down_Time.html](#)
— [Buffering_Concepts.html](#)
— [Byte_Order.html](#)
— [Byte_Stream_Example.html](#)
— [Calendar_Time.html](#)
— [Calling_Glob.html](#)
— [Calling_Variadics.html](#)
— [Calling_Wordexp.html](#)
— [Canonical_or_Not.html](#)
— [Case_Conversion.html](#)
— [Changing_Block_Size.html](#)
— [Character_Handling.html](#)
— [Character_Input.html](#)
— [Checking_for_Errors.html](#)
— [Checking_for_Pending_Signals.html](#)
— [Choosing_Locale.html](#)
— [Classification_of_Characters.html](#)
— [Cleaning_Streams.html](#)
— [Cleanups_on_Exit.html](#)
— [Closing_Streams.html](#)
— [Closing_a_Socket.html](#)
— [Collation_Functions.html](#)
— [Communication_Styles.html](#)
— [Comparison_Functions.html](#)
— [Concept_Index.html](#)
— [Concepts_of_Job_Control.html](#)
— [Concepts_of_Signals.html](#)
— [Configuring_Inetd.html](#)
— [Connecting.html](#)
— [Connections.html](#)
— [Consistency_Checking.html](#)
— [Constants_for_Sysconf.html](#)
— [Continuing_Stopped_Jobs.html](#)
— [Contributors.html](#)
— [Control_Modes.html](#)
— [Control_Operations.html](#)
— [Controlling_Buffering.html](#)
— [Controlling_Terminal.html](#)
— [Conversion_Specifier_Options.html](#)
— [Converting_One_Char.html](#)

- _____ Copying.html
- _____ Copying_and_Concatenation.html
- _____ Creating_Directories.html
- _____ Creating_Obstacles.html
- _____ Creating_a_Pipe.html
- _____ Creating_a_Process.html
- _____ Creating_a_Socket.html
- _____ Currency_Symbol.html
- _____ Custom_Streams.html
- _____ Customizing_Printf.html
- _____ Data_Structures.html
- _____ Data_Type_Measurements.html
- _____ Database_Example.html
- _____ Datagram_Example.html
- _____ Datagrams.html
- _____ Date_and_Time.html
- _____ Defining_Handlers.html
- _____ Defining_the_Output_Handler.html
- _____ Deleting_Files.html
- _____ Delivery_of_Signal.html
- _____ Descriptor_Flags.html
- _____ Descriptors_and_Streams.html
- _____ Detailed_CPU_Time.html
- _____ Directories.html
- _____ Directory_Entries.html
- _____ Disadvantages_of_Alloc.html
- _____ Domain_and_Range_Errors.html
- _____ Duplicating_Descriptors.html
- _____ Dynamic_Allocation_and_C.html
- _____ Dynamic_Output.html
- _____ Dynamic_String_Input.html
- _____ EOF_and_Errors.html
- _____ Editing_Characters.html
- _____ Effects_of_Locale.html
- _____ Efficiency_and_Malloc.html
- _____ Enable_Disable_Setuid.html
- _____ Environment_Access.html
- _____ Environment_Variables.html
- _____ Error_Codes.html
- _____ Error_Messages.html
- _____ Error_Reporting.html
- _____ Example_Receiver.html
- _____ Example_of_Conversion.html
- _____ Example_of_Getopt.html
- _____ Example_of_Parsing.html
- _____ Examples_of_Sysconf.html
- _____ Executing_a_File.html
- _____ Exit_Status.html
- _____ Expansion_Stages.html
- _____ Exponents_and_Logarithms.html
- _____ Extended_Char_Intro.html
- _____ Extended_Characters.html
- _____ Extra_Fast_Growing.html
- _____ FIFO_Special_Files.html
- _____ Feature_Test_Macros.html
- _____ File_Attributes.html
- _____ File_Index.html
- _____ File_Locks.html
- _____ File_Minimums.html
- _____ File_Name_Errors.html
- _____ File_Name_Portability.html
- _____ File_Name_Resolution.html
- _____ File_Names.html
- _____ File_Namespace.html
- _____ File_Namespace_Concepts.html
- _____ File_Namespace_Details.html
- _____ File_Owner.html
- _____ File_Position.html
- _____ File_Position_Primitive.html
- _____ File_Positioning.html
- _____ File_Socket_Example.html
- _____ File_Status_Flags.html
- _____ File_System_Interface.html
- _____ File_Times.html
- _____ Finding_Tokens_in_a_String.html
- _____ Flags_for_Globbing.html
- _____ Flags_for_POSIX_Regexps.html
- _____ Flags_for_Sigaction.html
- _____ Flags_for_Wordexp.html
- _____ Floating-Point_Conversions.html

- Floating_Point_Concepts.html
- Floating_Point_Parameters.html
- Floating_Type_Macros.html
- Flushing_Buffers.html
- Foreground_and_Background.html
- Formatted_Input.html
- Formatted_Input_Basics.html
- Formatted_Input_Functions.html
- Formatted_Output.html
- Formatted_Output_Basics.html
- Formatted_Output_Functions.html
- Formatting_Date_and_Time.html
- Freeing_Obstack_Objects.html
- Freeing_after_Malloc.html
- Function_Index.html
- Functions_for_Job_Control.html
- GNU_C_Variable-Size_Arrays.html
- General_Limits.html
- General_Numeric.html
- Generating_Signals.html
- Getting_File_Status_Flags.html
- Getting_Started.html
- Globbing.html
- Group_Data_Structure.html
- Group_Database.html
- Growing_Objects.html
- Handler_Returns.html
- Hard_Links.html
- Hardware_Software_Type_ID.html
- Header_Files.html
- Heap_Consistency_Checking.html
- Hierarchy_Conventions.html
- High-Resolution_Calendar.html
- Hook_Functions.html
- Hooks_for_Malloc.html
- Host_Address_Data_Type.html
- Host_Address_Functions.html
- Host_Addresses.html
- Host_Identification.html
- Host_Names.html
- How_Change_Persona.html
- How_Many_Arguments.html
- How_Unread.html
- How_Variadic.html
- Hyperbolic_Functions.html
- IEEE_Floating_Point.html
- I_O_Concepts.html
- I_O_Overview.html
- I_O_Primitives.html
- I_O_Queues.html
- I_O_on_Streams.html
- Identifying_the_Terminal.html
- Implementing_a_Shell.html
- Important_Data_Types.html
- Independent_Channels.html
- Inet_Example.html
- Inetd.html
- Inetd_Servers.html
- Initial_Signal_Actions.html
- Initializing_the_Shell.html
- Input_Conversion_Syntax.html
- Input_Modes.html
- Installation.html
- Integer_Conversions.html
- Integer_Division.html
- Internet_Address_Format.html
- Internet_Namespace.html
- Interrupt_Input.html
- Interrupted_Primitives.html
- Introduction.html
- Inverse_Trig_Functions.html
- Is_It_a_Terminal.html
- Job_Control.html
- Job_Control_Signals.html
- Job_Control_is_Optional.html
- Kill_Example.html
- Kinds_of_Signals.html
- Language_Features.html
- Launching_Jobs.html
- Length_of_Char.html

- Library_Summary.html
- Limits_for_Files.html
- Limits_on_Resources.html
- Line_Control.html
- Line_Input.html
- Line_Speed.html
- Linked_Channels.html
- Listening.html
- Local_Modes.html
- Locale_Categories.html
- Locales.html
- Locales_and_Extended_Chars.html
- Long_Option_Example.html
- Long_Options.html
- Longjmp_in_Handler.html
- Lookup_Group.html
- Lookup_User.html
- Low-Level_I_O.html
- Low-Level_Terminal_Interface.html
- Macro_Definitions.html
- Maintenance.html
- Making_Special_Files.html
- Malloc_Examples.html
- Matching_POSIX_Regexps.html
- Mathematics.html
- Memory_Allocation.html
- Memory_Concepts.html
- Memory_Warnings.html
- Merged_Signals.html
- Minimums.html
- Misc_Namespaces.html
- Miscellaneous_Signals.html
- Missing_Pieces.html
- Mode_Data_Types.html
- Mode_Functions.html
- Multibyte_Char_Intro.html
- Networks_Database.html
- Non-Local_Details.html
- Non-Local_Exits.html
- Non-Local_Exits_and_Signals.html
- Non-Local_Intro.html
- Non-atomic_Example.html
- Noncanon_Example.html
- Noncanonical_Input.html
- Nonreentrancy.html
- Normal_Termination.html
- Normalization_Functions.html
- Not_a_Number.html
- Null_Pointer_Constant.html
- Numeric_Formatting.html
- Numeric_Input_Conversions.html
- Obstack_Chunks.html
- Obstack_Functions.html
- Obstack_Streams.html
- Obstacks.html
- Obstacks_Data_Alignment.html
- Old_Varargs.html
- Open-time_Flags.html
- Open_Close_Sockets.html
- Opening_Streams.html
- Opening_a_Directory.html
- Opening_and_Closing_Files.html
- Operating_Modes.html
- Operation_Error_Signals.html
- Options_for_Files.html
- Orphaned_Process_Groups.html
- Other_Input_Conversions.html
- Other_Kinds_of_Streams.html
- Other_Output_Conversions.html
- Other_Special.html
- Out-of-Band_Data.html
- Output_Conversion_Syntax.html
- Output_Modes.html
- POSIX.html
- POSIX_Regexp_Compilation.html
- Parsing_Options.html
- Parsing_a_Template_String.html
- Parsing_of_Floats.html
- Parsing_of_Integers.html
- Parsing_of_Numbers.html

Pathconf.html
Pattern_Matching.html
Pause_Problems.html
Permission_Bits.html
Permission_for_kill.html
Pipe_Atomicity.html
Pipe_to_a_Subprocess.html
Pipes_and_FIFOs.html
Portable_Positioning.html
Porting.html
Porting_to_Unix.html
Ports.html
Predicates_on_Floats.html
Preparing_for_Obstacks.html
Printf_Extension_Example.html
Priority.html
Process_Completion.html
Process_Completion_Status.html
Process_Creation_Concepts.html
Process_Creation_Example.html
Process_Group_Functions.html
Process_Identification.html
Process_Persona.html
Process_Signal_Mask.html
Process_Startup.html
Processes.html
Processor_Time.html
Program_Arguments.html
Program_Error_Signals.html
Program_Termination.html
Protocols_Database.html
Pseudo-Random_Numbers.html
Random_Access_Directory.html
Range_of_Type.html
Reading_Address.html
Reading_Attributes.html
Reading_Closing_Directory.html
Reading_Persona.html
Receiving_Arguments.html
Receiving_Data.html
Receiving_Datagrams.html
Regexp_Cleanup.html
Regexp_Subexpressions.html
Registering_New_Conversions.html
Regular_Expressions.html
Relocating_Allocator.html
Relocator_Concepts.html
Remembering_a_Signal.html
Renaming_Files.html
Reporting_Bugs.html
Representation_of_Strings.html
Reserved_Names.html
Resource_Usage.html
Roadmap_to_the_Manual.html
Rounding_and_Remainders.html
Running_a_Command.html
SVID.html
Scanning_All_Groups.html
Scanning_All_Users.html
Search_Functions.html
Search_Sort_Example.html
Searching_and_Sorting.html
Sending_Data.html
Sending_Datagrams.html
Server_Example.html
Services_Database.html
Setting_Address.html
Setting_Groups.html
Setting_Modes.html
Setting_Permissions.html
Setting_User_ID.html
Setting_an_Alarm.html
Setting_the_Locale.html
Setuid_Program_Example.html
Shift_State.html
Sigaction_Function_Example.html
Sign_of_Money_Amount.html
Signal_Actions.html
Signal_Characters.html
Signal_Generation.html

- [Signal_Handling.html](#)
- [Signal_Messages.html](#)
- [Signal_Sets.html](#)
- [Signal_Stack.html](#)
- [Signal_and_Sigaction.html](#)
- [Signaling_Another_Process.html](#)
- [Signaling_Yourself.html](#)
- [Signals_in_Handler.html](#)
- [Sigsuspend.html](#)
- [Simple_Calendar_Time.html](#)
- [Simple_Directory_Lister.html](#)
- [Simple_Output.html](#)
- [Sleeping.html](#)
- [Socket_Level_Options.html](#)
- [Socket_Addresses.html](#)
- [Socket_Concepts.html](#)
- [Socket_Data_Options.html](#)
- [Socket_Option_Functions.html](#)
- [Socket_Options.html](#)
- [Socket_Pairs.html](#)
- [Sockets.html](#)
- [Source_Layout.html](#)
- [Special_Characters.html](#)
- [Standard_Environment.html](#)
- [Standard_Locales.html](#)
- [Standard_Signals.html](#)
- [Standard_Streams.html](#)
- [Standards_and_Portability.html](#)
- [Start_Stop_Characters.html](#)
- [Statistics_of_Malloc.html](#)
- [Status_of_an_Obstack.html](#)
- [Stopped_and_Terminated_Jobs.html](#)
- [Stream_Buffering.html](#)
- [Stream_Descriptor_Precautions.html](#)
- [Streams.html](#)
- [Streams_and_Cookies.html](#)
- [Streams_and_File_Descriptors.html](#)
- [String_Array_Comparison.html](#)
- [String_Array_Conventions.html](#)
- [String_Input_Conversions.html](#)
- [String_Length.html](#)
- [String_Parameters.html](#)
- [String_Streams.html](#)
- [String_and_Array_Uilities.html](#)
- [Structure_Measurement.html](#)
- [Subexpression_Complications.html](#)
- [Summary_of_Malloc.html](#)
- [Summary_of_Obstacks.html](#)
- [Symbolic_Links.html](#)
- [Sysconf.html](#)
- [Sysconf_Definition.html](#)
- [System_Configuration.html](#)
- [System_Information.html](#)
- [System_Options.html](#)
- [TZ_Variable.html](#)
- [Table_of_Input_Conversions.html](#)
- [Table_of_Output_Conversions.html](#)
- [Temporary_Files.html](#)
- [Terminal_Access_Functions.html](#)
- [Terminal_Modes.html](#)
- [Termination_Internals.html](#)
- [Termination_Signals.html](#)
- [Termination_in_Handler.html](#)
- [Testing_File_Access.html](#)
- [Testing_File_Type.html](#)
- [Testing_for_Delivery.html](#)
- [Time_Functions_Example.html](#)
- [Time_Zone_Functions.html](#)
- [Tips_for_Setuid.html](#)
- [Top.html](#)
- [Transferring_Data.html](#)
- [Trig_Functions.html](#)
- [Type_Index.html](#)
- [Unconstrained_Allocation.html](#)
- [Unreading.html](#)
- [Unreading_Idea.html](#)
- [User_Data_Structure.html](#)
- [User_Database.html](#)
- [User_and_Group_IDs.html](#)
- [Users_and_Groups.html](#)

- Using_Pause.html
- Using_Relocator.html
- Using_the_Library.html
- Utility_Limits.html
- Utility_Minimums.html
- Variable_Arguments_Input.html
- Variable_Arguments_Output.html
- Variable_Index.html
- Variable_Size_Automatic.html
- Variadic_Example.html
- Variadic_Functions.html
- Variadic_Prototypes.html
- Version_Supported.html
- Waiting_for_I_O.html
- Waiting_for_a_Signal.html
- Who_Logged_In.html
- Who_is_Connected.html
- Why_Block.html
- Why_Change_Persona.html
- Why_Variadic.html
- Wide_Char_Intro.html
- Wide_String_Conversion.html
- Width_of_Type.html
- Wildcard_Matching.html
- Word_Expansion.html
- Wordexp_Example.html
- Working_Directory.html
- Writing_a_User_Entry.html

libg++

- AllocRing.html
- Bag.html
- Bit.html
- Builtin.html
- Complex.html
- Contributors.html
- Conventions.html
- Copying.html
- Curses.html
- Data.html
- Deque.html
- Expressions.html
- Fix.html
- General.html
- GetOpt.html
- Headers.html
- Installation.html
- Integer.html
- LinkList.html
- List.html
- Map.html
- New.html
- OK.html
- Obstack.html
- PQ.html
- Pix.html
- Plex.html
- Projects.html
- Proto.html
- Queue.html
- Random.html
- Rational.html
- Representations.html
- Set.html
- Stack.html
- Stream.html
- String.html
- Top.html
- Trouble.html
- Vector.html

— link to REM%20-%20Everybody%20Hurts.mp3 → /home/canturk/mp3/REM%20-%20Everybody%20Hurts.mp3

— link to Rachid%20Taha%20-%20Khaled%20and%20Faudel%20-%20Comme%20D%27habitude.mp3 → /home/canturk/mp3/

— link to Racid%20Taha%20-%20Yaraya.mp3 → /home/canturk/mp3/Racid%20Taha%20-%20Yaraya.mp3

— link to Robbie%20Williams%20-%20Millennium.mp3 → /home/canturk/mp3/Robbie%20Williams%20-%20Millennium.mp3

— link to Santana%20and%20Rob%20Thomas%20-%20Smooth.mp3 → /home/canturk/mp3/Santana%20and%20Rob%20Thom

— link to The%20Offspring%20-%20Pretty%20Fly.mp3 → /home/canturk/mp3/The%20Offspring%20-%20Pretty%20Fly.mp3

— link to bar-006f5da193 (copy).desktop → /home/canturk/.gnome-desktop/bar-006f5da193 (copy).desktop

m4

- Arguments.html
- Arithmetic.html
- Bugs.html

- Builtin.html
- Changecom.html
- Changequote.html
- Changeword.html
- Cleardiv.html
- Comments.html
- Compatibility.html
- Concept_index.html
- Conditionals.html
- Debug_Levels.html
- Debug_Output.html
- Debugging.html
- Define.html
- Definitions.html
- Defn.html
- Diversions.html
- Divert.html
- Divnum.html
- Dnl.html
- Dumpdef.html
- Errprint.html
- Esyscmd.html
- Eval.html
- Extensions.html
- File_Inclusion.html
- Format.html
- Frozen_files.html
- History.html
- Ifdef.html
- Ifelse.html
- Include.html
- Incompatibilities.html
- Incr.html
- Index.html
- Indir.html
- Inhibiting_Invocation.html
- Input_Control.html
- Intro.html
- Invocation.html
- Invoking_m4.html
- Len.html
- Loops.html
- M4exit.html
- M4wrap.html
- Macro_Arguments.html
- Macro_expansion.html
- Macro_index.html
- Macros.html
- Maketemp.html
- Manual.html
- Miscellaneous.html
- Names.html
- Other_Incompat.html
- Other_tokens.html
- Patsubst.html
- Preliminaries.html
- Pseudo_Arguments.html
- Pushdef.html
- Quoted_strings.html
- Quoting_Arguments.html
- Regexp.html
- Search_Path.html
- Substr.html
- Syntax.html
- Syscmd.html
- Sysval.html
- Text_handling.html
- Top.html
- Trace.html
- Translit.html
- UNIX_commands.html
- Undefine.html
- Undivert.html

— psgml

- Attributes.html
- Bugs.html
- Change_and_delete.html
- Complete.html
- Display.html
- Edif.html

- Entity_manager.html
- Fold.html
- Highlight.html
- Indent.html
- Index.html
- Information.html
- Insert.html
- Install.html
- Introduction.html
- Invoke.html
- Managing_the_DTD.html
- Move.html
- SXML_declaration.html
- Top.html
- Validate.html
- psgml-api
 - DTD.html
 - Hooks.html
 - Implementation.html
 - Index.html
 - Top.html
 - Types.html
 - attribute.html
 - element.html
 - entities.html
 - parser_state.html
- readline
 - A_Short_Completion_Example.html
 - Allowing_Undoing.html
 - Associating_Function_Names_and_Bindings.html
 - Basic_Behavior.html
 - Bindable_Readline_Commands.html
 - Binding_Keys.html
 - Command_Line_Editing.html
 - Commands_For_Completion.html
 - Commands_For_History.html
 - Commands_For_Killing.html
 - Commands_For_Moving.html
 - Commands_For_Text.html
 - Completion_Functions.html
 - Completion_Variables.html
 - Concept_Index.html
 - Conditional_Init_Constructs.html
 - Custom_Completers.html
 - Custom_Functions.html
 - Function_Naming.html
 - Function_Writing.html
 - Function_and_Variable_Index.html
 - How_Completing_Works.html
 - Introduction_and_Notation.html
 - Keyboard_Macros.html
 - Keymaps.html
 - Miscellaneous_Commands.html
 - Modifying_Text.html
 - Numeric_Arguments.html
 - Programming_with_GNU_Readline.html
 - Readline_Arguments.html
 - Readline_Bare_Essentials.html
 - Readline_Convenience_Functions.html
 - Readline_Init_File.html
 - Readline_Init_Syntax.html
 - Readline_Interaction.html
 - Readline_Killing_Commands.html
 - Readline_Movement_Commands.html
 - Readline_vi_Mode.html
 - Redisplay.html
 - The_Function_Type.html
 - Top.html
 - Utility_Functions.html
- reno-1
 - ANSI.html
 - Changes.html
 - Class_templates.html
 - Encoding.html
 - Enhancements_and_bug_fixes.html
 - Function_templates.html
 - Introduction.html
 - Major_changes.html
 - New_features.html
 - Plans.html

- Problems_with_debugging.html
- Summary_of_Phase_1.3.html
- Template_debugging.html
- Template_limitations.html
- Templates.html
- Top.html

sc

- Anonymous_Attributions.html
- Attribution_Preferences.html
- Author_Names.html
- Citation_Elements.html
- Citations.html
- Citing_Commands.html
- Command_Index.html
- Concept_Index.html
- Configuring_the_Citation_Engine.html
- Electric_References.html
- Emacs_18_MUAs.html
- Emacs_19_MUAs.html
- Filling_Cited_Text.html
- Frames_You_Can_Customize.html
- GNEWS_with_any_Emacsen.html
- Getting_Connected.html
- Hints_to_MUA_Authors.html
- Information_Keys_and_the_Info_Alist.html
- Insertion_Commands.html
- Introduction.html
- Key_Index.html
- MH-E_with_any_Emacsen.html
- Mail_Field_Commands.html
- Miscellaneous_Commands.html
- Overloading_for_Non-conforming_MUAs.html
- Post-yank_Formatting_Commands.html
- Recognizing_Citations.html
- Reference_Headers.html
- Reply_Buffer_Initialization.html
- Replying_and_Yanking.html
- Selecting_an_Attribution.html
- Thanks_and_History.html
- The_Built-in_Header_Rewrite_Functions.html
- The_Supercite_Mailing_List.html
- Top.html
- Usage_Overview.html
- Using_Regi.html
- VM_with_any_Emacsen.html
- Variable_Index.html
- Variable_Toggling_Shortcuts.html
- Version_3_Changes.html
- What_Supercite_Does.html
- What_Supercite_Does_Not_Do.html

sharutils

- Headers.html
- Introduction.html
- Kinds.html
- Miscellaneous.html
- Selecting.html
- Splitting.html
- Stocking.html
- Top.html
- Transmission.html
- shar_invocation.html
- unshar_invocation.html

sil.ps

- sound-properties.desktop

standards

- Change_Logs.html
- Command_Variables.html
- Comments.html
- Compatibility.html
- Configuration.html
- Contributions.html
- Directory_Variables.html
- Documentation.html
- Errors.html
- Formatting.html
- Libraries.html
- Makefile_Basics.html
- Makefile_Conventions.html
- Names.html
- Portability.html

- Reading_Non-Free_Code.html
- Releases.html
- Semantics.html
- Source_Language.html
- Standard_Targets.html
- Syntactic_Conventions.html
- System_Functions.html
- Top.html
- User_Interfaces.html
- Using_Extensions.html
- Utilities_in_Makefiles.html
- tar
 - Absolute_File_Names.html
 - Adding_to_an_Existing_Archive.html
 - Append_bis.html
 - Archive_Format.html
 - Archive_Label.html
 - Archive_Reading_Options.html
 - Archive_Structure.html
 - Attributes_Options.html
 - Authors.html
 - Authors_of_getdate.html
 - Backup_Levels.html
 - Backup_Parameters.html
 - Backups_and_Restoration.html
 - Basic_tar_Operations.html
 - Being_Careful.html
 - Blocking.html
 - Blocking_Factor.html
 - Blocking_Options.html
 - Bug_reports.html
 - Calendar_date_item.html
 - Changing_Directory.html
 - Changing_the_Archive_Name.html
 - Characteristics.html
 - Checking_Progress.html
 - Checksumming_Problems.html
 - Classification_Options.html
 - Combining_Archives.html
 - Compare_bis.html
 - Comparing.html
 - Comparing_Archives_Members_with_Files.html
 - Compressed_Archives.html
 - Compression.html
 - Concatenate_bis.html
 - Creating_Archives_of_Files_bis.html
 - Creating_a_New_Archive.html
 - Creating_an_Archive_of_a_Subdirectory_bis.html
 - Crossing_FileSystem_Boundaries.html
 - Date_input_formats.html
 - Day_of_week_item.html
 - Dealing_with_Compressed_Archives.html
 - Device.html
 - Device_Options.html
 - Documentation.html
 - Excluding_Some_Files.html
 - Extensions.html
 - Extracting_Archive_Members.html
 - Extracting_Directories_ter.html
 - Extracting_Files_bis.html
 - Extracting_Files_from_an_Archive_ter.html
 - Extracting_Specific_Files_ter.html
 - File_Writing_Options.html
 - Format_Control.html
 - Format_Variations.html
 - Full_Dumps.html
 - General_date_syntax.html
 - Getting_Additional_File_Information_bis.html
 - How_to_Add_Files_to_Existing_Archives.html
 - How_to_Archive_Directories.html
 - How_to_Create_Archives.html
 - How_to_Delete_Members_from_Archives.html
 - How_to_Extract_Members_from_an_Archive.html
 - How_to_List_Archives.html
 - Inc_Dumps.html
 - Index.html
 - Interactive_Operation.html
 - Introduction.html
 - Invoking_tar.html
 - List_A_Specific_File_in_an_Archive_bis.html

- _____ Listing_Archive_Members.html
- _____ Listing_files_in_an_archive_bis.html
- _____ Listing_the_Contents_of_a_Stored_Directory_ter.html
- _____ MSDOS.html
- _____ Many.html
- _____ Matching_Format_Parameters.html
- _____ Media.html
- _____ Mixing_Styles.html
- _____ Mnemonic_Options.html
- _____ Modifiers_Options.html
- _____ Multi-Volume_Archives.html
- _____ Old_Options.html
- _____ Old_V7_and_POSIX.html
- _____ Operating_Only_on_New_Files.html
- _____ Option_Styles.html
- _____ Options.html
- _____ Portability.html
- _____ Portable_Names.html
- _____ Pure_numbers_in_date_strings.html
- _____ Reading_Names_from_a_File.html
- _____ Relative_item_in_date_strings.html
- _____ Removing_Archive_Members.html
- _____ Rewriting.html
- _____ Scarce_Disk_Space.html
- _____ Script_Syntax.html
- _____ Scripted_Backups.html
- _____ Scripted_Restoration.html
- _____ Selection_Options.html
- _____ Short_Options.html
- _____ Sparse_Files.html
- _____ Special_Options_for_Archiving.html
- _____ Specifying_Names_to_tar.html
- _____ Stability.html
- _____ Standard.html
- _____ Support.html
- _____ Symbolic_Links.html
- _____ Synopsis.html
- _____ Tape_Files.html
- _____ Tape_Positioning.html
- _____ Time_of_day_item.html
- _____ Timezone_item.html
- _____ Top.html
- _____ Tutorial.html
- _____ Type_Options.html
- _____ Update_bis.html
- _____ Updating_an_Archive.html
- _____ Using_Compare_from_the_Superior_Directory_bis.html
- _____ Using_Multiple_Tapes.html
- _____ Using_tar_in_Verbose_Mode_bis.html
- _____ What_tar_Does.html
- _____ Why_maintaining.html
- _____ Write_Protection.html
- _____ Write_Verification.html
- _____ backup-specs_example.html
- _____ cpio.html
- _____ incremental_and_listed-incremental.html
- _____ mt.html

_____ texinfo

- _____ A4_Paper.html
- _____ Abstract_Objects.html
- _____ Acknowledgements.html
- _____ Batch_Formatting.html
- _____ Beginning_a_File.html
- _____ Block_Enclosing_Commands.html
- _____ Braces_Atsigns_Periods.html
- _____ Break_Commands.html
- _____ Breaks.html
- _____ Catching_Mistakes.html
- _____ Combining_Indices.html
- _____ Command_List.html
- _____ Command_Syntax.html
- _____ Command_and_Variable_Index.html
- _____ Comments.html
- _____ Compile-Command.html
- _____ Concept_Index.html
- _____ Conditional_Commands.html
- _____ Conditionals.html
- _____ Contents.html
- _____ Controlling_Spacing.html
- _____ Conventions.html

- Copying.html
- Copyright_&_Permissions.html
- Create_an_Info_File.html
- Cropmarks_and_Magnification.html
- Cross_Reference_Commands.html
- Cross_Reference_Parts.html
- Cross_References.html
- Custom_Headings.html
- Customized_Highlighting.html
- Data_Types.html
- Debugging_with_Info.html
- Debugging_with_TeX.html
- Def_Cmd_Conventions.html
- Def_Cmd_Template.html
- Def_Cmds_in_Detail.html
- Definition_Commands.html
- Directory_file.html
- Dots_Bullets.html
- Emacs_Editing.html
- Emphasis.html
- End_of_Header.html
- Ending_a_File.html
- Equivalence.html
- Error_Glyph.html
- File_End.html
- First_Line.html
- First_Node.html
- Fonts.html
- Footnotes.html
- Format_Print_Hardcopy.html
- Format_with_tex_texindex.html
- Format_with_texi2dvi.html
- Formatting_Commands.html
- Four_Parts.html
- Four_and_Five_Arguments.html
- Functions_Commands.html
- Glyphs.html
- Glyphs_Summary.html
- Header.html
- Heading_Choice.html
- Heading_Format.html
- Headings.html
- Headings_Introduced.html
- Include_File_Requirements.html
- Include_Files.html
- Include_Files_Evolution.html
- Index_Entries.html
- Indexing_Commands.html
- Indicating.html
- Indices.html
- Info_Files.html
- Info_Formatting.html
- Info_Summary_and_Permissions.html
- Inserting.html
- Inserting_An_Atsign.html
- Inserting_Braces.html
- Inserting_Permissions.html
- Insertions.html
- Install_an_Info_File.html
- Introducing_Lists.html
- Invoking_makeinfo.html
- Less_Cluttered_Menu_Entry.html
- Line_Breaks.html
- Lisp_Example.html
- Lists_and_Tables.html
- Marking_Text.html
- Master_Menu_Parts.html
- Menu_Example.html
- Menu_Location.html
- Menu_Parts.html
- Menus.html
- Minimum.html
- New_Commands.html
- New_Features.html
- New_Indices.html
- New_Info_File.html
- New_Texinfo_Mode_Commands.html
- Node_Line_Requirements.html
- Node_Line_Tips.html
- Node_Menu_Illustration.html

- Node_Names.html
- Nodes.html
- Obtaining_TeX.html
- One_Argument.html
- Optional_Arguments.html
- Other_Info_Directories.html
- Other_Info_Files.html
- Other_Updating_Commands.html
- Overfull_hboxes.html
- Overview.html
- Point_Glyph.html
- Pointer_Validation.html
- Predefined_Indices.html
- Preparing_for_TeX.html
- Print_Glyph.html
- Print_with_lpr.html
- Printed_Books.html
- Printing.html
- Printing_Indices_&_Menus.html
- Quotations_and_Examples.html
- Raise_lower_sections.html
- Reference_Syntax.html
- References.html
- Refilling_Paragraphs.html
- Requirements_Summary.html
- Running_Info-Validate.html
- Sample_Beginning.html
- Sample_Function_Definition.html
- Sample_Include_File.html
- Sample_Permissions.html
- Sample_Texinfo_File.html
- Short_Sample.html
- Showing_the_Structure.html
- Six_Parts.html
- Smallcaps.html
- Software_Copying_Permissions.html
- Splitting.html
- Start_of_Header.html
- Structuring.html
- Structuring_Command_Types.html
- Tag_and_Split_Files.html
- Tagifying.html
- TeX_and_copyright.html
- Texinfo_Mode.html
- Texinfo_Mode_Overview.html
- Texinfo_Mode_Printing.html
- Texinfo_Mode_Summary.html
- The_Top_Node.html
- Three_Arguments.html
- Tips.html
- Title_of_Top_Node.html
- Titlepage_&_Copyright_Page.html
- Titlepage_Permissions.html
- Top.html
- Top_Node_Naming.html
- Top_Node_Summary.html
- Tree_Structuring.html
- Two-column_Tables.html
- Two_Arguments.html
- Two_Paths.html
- Typed_Functions.html
- Typed_Variables.html
- Unsplit.html
- Updating_Commands.html
- Updating_Nodes_and_Menus.html
- Updating_Requirements.html
- Use_TeX.html
- Useful_Highlighting.html
- Using_Include_Files.html
- Using_Info-validate.html
- Using_Ordinary_TeX_Commands.html
- Using_Texinfo.html
- Using_occur.html
- Using_texinfo-show-structure.html
- Variables_Commands.html
- Within_Emacs.html
- Writing_a_Menu.html
- Writing_a_Node.html
- bullet.html
- cartouche.html

- _____chapter.html
- _____cite.html
- _____code.html
- _____copyright_symbol.html
- _____deffnx.html
- _____dfn.html
- _____display.html
- _____dmn.html
- _____dots.html
- _____emph_&_strong.html
- _____end_titlepage.html
- _____enumerate.html
- _____example.html
- _____exdent.html
- _____expansion.html
- _____file.html
- _____flushleft_&_flushright.html
- _____format.html
- _____ftable_vtable.html
- _____group.html
- _____headings_on_off.html
- _____ifinfo_Permissions.html
- _____ifset_ifclear.html
- _____inforef.html
- _____itemize.html
- _____itemx.html
- _____kbd.html
- _____key.html
- _____majorheading_&_chapheading.html
- _____makeinfo_Pointer_Creation.html
- _____makeinfo_advantages.html
- _____makeinfo_in_Emacs.html
- _____makeinfo_options.html
- _____makeinfo_preferred.html
- _____makeinfo_top.html
- _____makeinfo_top_command.html
- _____math.html
- _____minus.html
- _____need.html
- _____node.html
- _____noindent.html
- _____page.html
- _____paragraphindent.html
- _____pxref.html
- _____quotation.html
- _____ref.html
- _____result.html
- _____samp.html
- _____section.html
- _____set_clear_value.html
- _____setchapternewpage.html
- _____setfilename.html
- _____settitle.html
- _____smallbook.html
- _____smallexample_&_smalllisp.html
- _____sp.html
- _____subsection.html
- _____subsubsection.html
- _____syncodeindex.html
- _____synindex.html
- _____table.html
- _____tex.html
- _____texinfo-format_commands.html
- _____texinfo-multiple-files-update.html
- _____title_subtitle_author.html
- _____titlefont_center_sp.html
- _____titlepage.html
- _____unnumbered_&_appendix.html
- _____unnumberedsec_appendixsec_heading.html
- _____unnumberedsubsec_appendixsubsec_subheading.html
- _____value.html
- _____value_Example.html
- _____var.html
- _____w.html
- _____xref.html
- _____textutils
 - _____Character_sets.html
 - _____Common_options.html
 - _____Formatting_file_contents.html
 - _____I_O_redirection.html

- ___ Index.html
- ___ Introduction.html
- ___ Opening_the_software_toolbox.html
- ___ Operating_on_characters.html
- ___ Operating_on_fields_within_a_line.html
- ___ Operating_on_sorted_files.html
- ___ Output_of_entire_files.html
- ___ Output_of_parts_of_files.html
- ___ Putting_the_tools_together.html
- ___ Squeezing.html
- ___ Summarizing_files.html
- ___ The_<code>cut</code>_command.html
- ___ The_<code>sort</code>_command.html
- ___ The_<code>uniq</code>_command.html
- ___ The_<code>who</code>_command.html
- ___ Toolbox_introduction.html
- ___ Top.html
- ___ Translating.html
- ___ Warnings_in_tr.html
- ___ cat_invocation.html
- ___ cksum_invocation.html
- ___ comm_invocation.html
- ___ csplit_invocation.html
- ___ cut_invocation.html
- ___ expand_invocation.html
- ___ fmt_invocation.html
- ___ fold_invocation.html
- ___ head_invocation.html
- ___ join_invocation.html
- ___ md5sum_invocation.html
- ___ nl_invocation.html
- ___ od_invocation.html
- ___ paste_invocation.html
- ___ pr_invocation.html
- ___ sort_invocation.html
- ___ split_invocation.html
- ___ sum_invocation.html
- ___ tac_invocation.html
- ___ tail_invocation.html
- ___ tr_invocation.html
- ___ unexpand_invocation.html
- ___ uniq_invocation.html
- ___ wc_invocation.html
- ___ thumb-2002_09_30_212727_shot (copy).jpg
- ___ thumb-2002_09_30_212727_shot.jpg
- ___ thumb-2002_11_21_095001_shot.jpg
- ___ thumb-2002_11_21_095052_shot.jpg
- ___ thumb-2002_11_21_095105_shot.jpg
- ___ thumb-2002_11_21_095246_shot.jpg
- ___ thumb-2002_11_21_095319_shot.jpg
- ___ untitled folder/
- ___ vip
 - ___ Basic_Concepts.html
 - ___ Buffer_Commands.html
 - ___ Buffers_and_Windows.html
 - ___ Change_Commands.html
 - ___ Changing.html
 - ___ Commands_in_Insert_Mode.html
 - ___ Counts.html
 - ___ Customization.html
 - ___ Customizing_Constants.html
 - ___ Customizing_Key_Bindings.html
 - ___ Delete_Commands.html
 - ___ Differences_from_Vi.html
 - ___ Emacs_Mode.html
 - ___ Ex_Command_Reference.html
 - ___ Ex_Commands.html
 - ___ File_Commands.html
 - ___ Files.html
 - ___ Important_Keys.html
 - ___ Insert_Mode.html
 - ___ Loading_VIP.html
 - ___ Mark_Commands.html
 - ___ Marking.html
 - ___ Misc_Commands.html
 - ___ Modes_in_VIP.html
 - ___ Modifying_Commands.html
 - ___ Motion_Commands.html
 - ___ New_Bindings.html
 - ___ New_Commands.html

- _____ Numeric_Arguments.html
- _____ Other_Vi_Commands.html
- _____ Put_Back_Commands.html
- _____ Region_Commands.html
- _____ Repeating_and_Undoing_Modifications.html
- _____ Searching.html
- _____ Searching_and_Replacing.html
- _____ Survey.html
- _____ Top.html
- _____ Undoing.html
- _____ Vi_Commands.html
- _____ Vi_Mode.html
- _____ Viewing_the_Buffer.html
- _____ Window_Commands.html
- _____ Yank_Commands.html
- _____ z_Command.html

viper

- _____ Abbreviation_Facilities.html
- _____ Acknowledgments.html
- _____ Appending_Text.html
- _____ Basics.html
- _____ Changing_Text.html
- _____ Commands.html
- _____ Completion.html
- _____ Concept_Index.html
- _____ Customization.html
- _____ Deleting_Text.html
- _____ Display.html
- _____ Editing_in_Insert_State.html
- _____ Emacs_Preliminaries.html
- _____ Emacs_Related_Commands.html
- _____ Emacs_State.html
- _____ File_and_Buffer_Handling.html
- _____ Function_Index.html
- _____ Groundwork.html
- _____ History.html
- _____ Improved_Search.html
- _____ Improvements_over_Vi.html
- _____ Insert_State.html
- _____ Key_Index.html
- _____ Keybindings.html
- _____ Loading_Viper.html
- _____ Macros_and_Registers.html
- _____ Mapping.html
- _____ Marking.html
- _____ Mouse-bound_Commands.html
- _____ Move_Commands.html
- _____ Movement_and_Markers.html
- _____ Multiple_Files_in_Viper.html
- _____ New_Commands.html
- _____ Options.html
- _____ Overview.html
- _____ Package_Index.html
- _____ Packages_that_Change_Keymaps.html
- _____ Replace_State.html
- _____ Rudimentary_Changes.html
- _____ Search_and_Replace.html
- _____ Shell_Commands.html
- _____ States_in_Viper.html
- _____ Text_Handling.html
- _____ The_Minibuffer.html
- _____ Top.html
- _____ Undo_and_Backups.html
- _____ Undoing.html
- _____ Unimplemented_Features.html
- _____ Useful_Packages.html
- _____ Variable_Index.html
- _____ Vi_Macros.html
- _____ Vi_State.html
- _____ Viper_Specials.html
- _____ Yanking.html

- _____ www.ee.princeton.edu/

- _____ .Xauthority
- _____ .Xclients
- _____ .Xclients-default
- _____ .acrobat
 - _____ prefs
- _____ .addressbook
- _____ .addressbook.lu
- _____ .adobe

```

├── AdobeFnt06.lst.matrix
├── .aspell.english.prepl
├── .aspell.english.pws
├── .autorun.lck
├── .bash_history
├── .bash_logout
├── .bash_profile
├── .bashrc
├── .calendar
├── .cddbslave
├── 01104314
├── 02112901
├── 02117e01
├── .ddd
│   ├── history
│   ├── init
│   ├── lock
│   ├── log
│   └── sessions
│       ├── 11807031e0000103531886000000014470038
│       │   ├── history
│       │   ├── init
│       │   └── tmp
│       ├── 11807031e0000103544114400000011040012
│       │   ├── history
│       │   ├── init
│       │   └── tmp
│       ├── 11807031e0000103544367600000011040016
│       │   ├── history
│       │   ├── init
│       │   └── tmp
│       ├── 11807031e0000103544398500000011040018
│       │   ├── history
│       │   ├── init
│       │   └── tmp
│       ├── 11807031e0000103544757200000011040031
│       │   ├── history
│       │   ├── init
│       │   └── tmp
│       ├── 11807031e0000103544825100000011040038
│       │   ├── history
│       │   ├── init
│       │   └── tmp
│       ├── 11807031e0000103545014200000011040042
│       │   ├── history
│       │   ├── init
│       │   └── tmp
│       └── 11807031e0000103545023400000011040044
│           ├── history
│           ├── init
│           └── tmp
├── themes/
├── tips
├── .default.kpr
├── .designer
│   └── background.xpm
├── .designerrc
├── .designerrctb
├── .dia
│   ├── diarc
│   ├── history
│   ├── menurc
│   ├── objects/
│   ├── pluginrc
│   ├── shapes/
│   └── sheets/
├── .dt
│   ├── Desktop/
│   ├── Trash
│   │   └── .trashinfo
│   ├── appmanager/
│   ├── errorlog
│   ├── errorlog.older
│   ├── help
│   │   └── canturk-chateau-0
│   │       ├── browser.hv
│   │       ├── browser00.ht
│   │       └── browser01.ht
│   ├── icons/
│   └── sessions

```

- current
 - .dtdcde1.0
 - dt.resources
 - dt.session
 - dt.settings
 - dts6mVqa
 - dtsAo2ya
- current.old
 - .dtdcde1.0
 - dt.resources
 - dt.session
 - dt.settings
 - dtD4pTaa
- dtwmfp.session
- startlog
- startlog.old
- startlog.older
- tmp/
- types
 - fp_dynamic/
- .dtprofile
- .ee
 - icons/
 - minis
 - common
 - canturkWWC
 - figures
 - GZIP_phase_groupsv2_000.1.jpg
 - home
 - canturk
 - C
 - plotting
 - ex3.gif
 - public_html
 - pics
 - Izmir
 - P6270085.JPG
 - research
 - docs
 - P4
 - P4 floorplan.jpg
 - image2.gif
 - screenshots
 - 2002_11_21_095052_shot.jpg
 - 2003_04_09_165236_shot.jpg
 - 2003_04_09_173247_shot.jpg
 - 2003_04_24_012757_shot.jpg
 - jiggles_notClamprelated_not_DMMrelated.jpg
 - home_parapet
 - canturk
 - castle
 - castle
 - cpu-probe
 - blank-graph.xpm
 - research
 - castle_thermal.jpg
 - castle_thermalv2_after5hrs.jpg
 - castle_thermalv2_final_at_startup.jpg
 - screenshots
 - 2002_09_30_212727_shot.jpg
 - thumb-2002_09_30_212727_shot.jpg
 - sil
 - phd051500s.gif
 - settings
- .emacs
- .enlightenment
 - ...e_session-XXXXXX
 - ...e_session-XXXXXX.snapshots.0
 - .000000000000000000
 - .usr.share.enlightenment.config.control.cfg.prepared
 - .usr.share.enlightenment.config.keybindings.cfg.prepared
 - .usr.share.enlightenment.config.menus.cfg.prepared
 - .usr.share.enlightenment.themes.CleanBig.actionclasses.cfg.prepared
 - .usr.share.enlightenment.themes.CleanBig.borders.cfg.prepared
 - .usr.share.enlightenment.themes.CleanBig.buttons.cfg.prepared
 - .usr.share.enlightenment.themes.CleanBig.colormodifiers.cfg.prepared
 - .usr.share.enlightenment.themes.CleanBig.cursors.cfg.prepared
 - .usr.share.enlightenment.themes.CleanBig.desktops.cfg.prepared
 - .usr.share.enlightenment.themes.CleanBig.imageclasses.cfg.prepared
 - .usr.share.enlightenment.themes.CleanBig.init.cfg.prepared

- .usr.share.enlightenment.themes.CleanBig.menustyles.cfg.prepared
- .usr.share.enlightenment.themes.CleanBig.slideouts.cfg.prepared
- .usr.share.enlightenment.themes.CleanBig.sound.cfg.prepared
- .usr.share.enlightenment.themes.CleanBig.textclasses.cfg.prepared
- .usr.share.enlightenment.themes.CleanBig.tooltips.cfg.prepared
- .usr.share.enlightenment.themes.CleanBig.windowmatches.cfg.prepared
- themes/
- user_theme.cfg

- .esd_auth

- .forward

- .galeon

- bookmarks.xml
- bookmarks.xml.1
- bookmarks.xml.2
- bookmarks.xml.3
- bookmarks.xml.4
- bookmarks.xml.5
- favicons/
- history.xml
- mimeTypees.xml
- mozilla

- L—— galeon

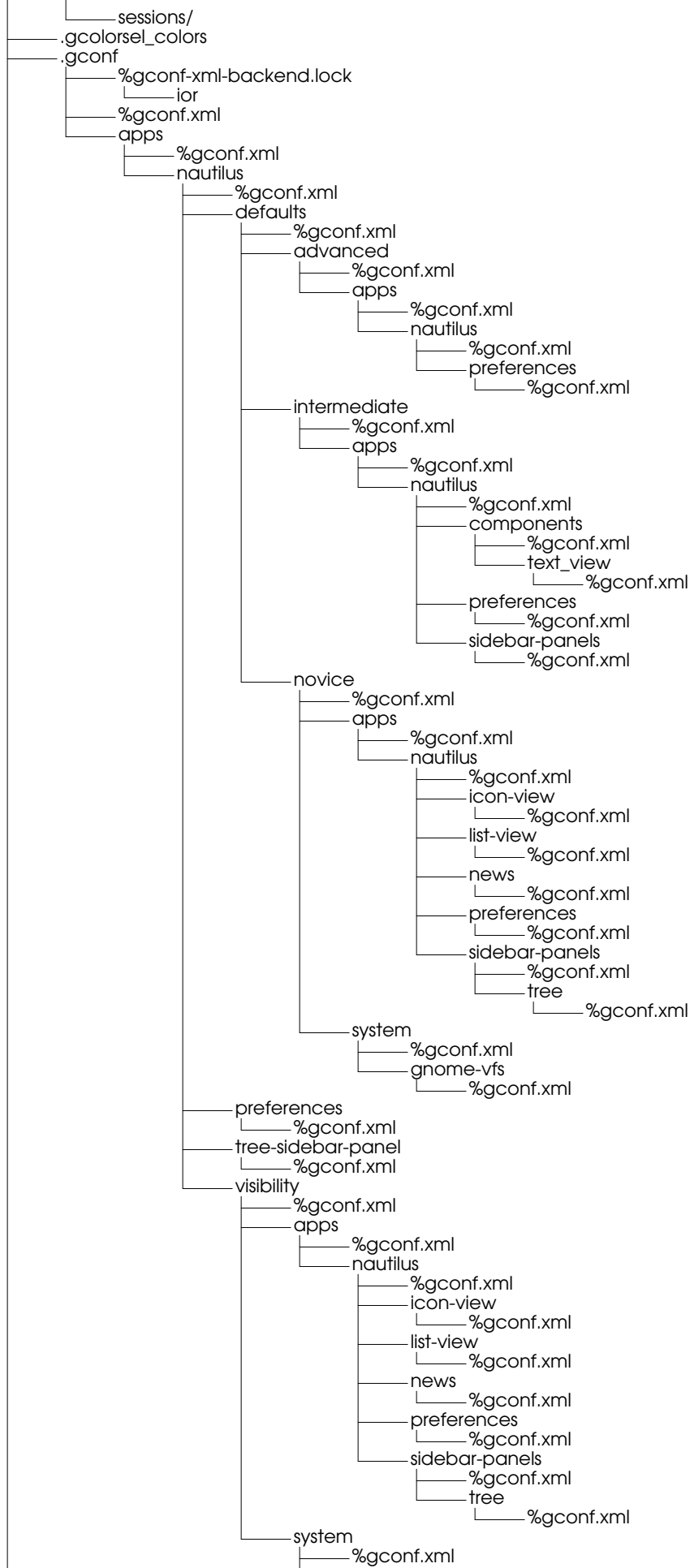
- L—— NewCache

- 01778CEDd01
- 051331CCd01
- 09C6C00Bd01
- 0A8CFA9Dd01
- 0BD8449Fd01
- 0EB0F8DAd01
- 0FB3DCD4d01
- 11E2A1EEd01
- 16CB4AE2d01
- 206D6FC8d01
- 20CC0CAd01
- 224510DEd01
- 246081CFd01
- 247CFBE2d01
- 25609EDCd01
- 25940D85d01
- 269B8BA8d01
- 290196B2d01
- 326024FDd01
- 326124FDd01
- 326224FDd01
- 326424FDd01
- 326524FDd01
- 326624FDd01
- 326724FDd01
- 326A24FDd01
- 326B24FDd01
- 327024FDd01
- 327124FDd01
- 327224FDd01
- 327324FDd01
- 327724FDd01
- 34823162d01
- 3561931Ed01
- 362F75E3d01
- 379DD287d01
- 413206FCd01
- 4247A76Bd01
- 49EAC7E2d01
- 4AAFDEDEDd01
- 530C5D74d01
- 5327F910d01
- 567CE82Dd01
- 649D37D6d01
- 6AFE8A68d01
- 711A33A1d01
- 7384B7B8d01
- 76712FFDd01
- 7DOAA264d01
- 82EB8E4Fd01
- 87E1FOCEd01
- 89A77359d01
- 8C22575Dd01
- 8FB779F7d01
- 90FCD6E9d01
- 96CA6145d01
- A2148E1Cd01


```

_____A3C293E6d01
_____A93FA31Ad01
_____AA613641d01
_____AAF62077d01
_____AB024CDDd01
_____AB7C6B12d01
_____AC47513Ed01
_____ACFBFAF40d01
_____B230369Cd01
_____B3676058d01
_____B5C5BA46d01
_____B7D08260d01
_____B8852C9Fd01
_____B91087BBd01
_____B942A1EEd01
_____BB56AF40d01
_____BFC93F85d01
_____C11C3B29d01
_____C17EAE6Cd01
_____C7D76352d01
_____C8A8EE6Dd01
_____CA284C2Cd01
_____D2238A77d01
_____D368B065d01
_____D42234EDd01
_____D9BB66E2d01
_____DAA66C04d01
_____DE39F480d01
_____DE41F480d01
_____DE4AF480d01
_____DE4CF480d01
_____DE4FF480d01
_____DE591E12d01
_____DECCA019d01
_____DF0DF480d01
_____DF1AF480d01
_____DF1BF480d01
_____DF1CF480d01
_____DF1DF480d01
_____DF1EF480d01
_____DFE9F480d01
_____DFFBF480d01
_____E11D3142d01
_____E57D3641d01
_____E6A05042d01
_____EEF38B48d01
_____EEFB3E9Cd01
_____F1175C37d01
_____F11F2B00d01
_____F3434641d01
_____F70E6210d01
_____FA2BDE5Dd01
_____FB715ECAd01
_____FC941072d01
_____ _CACHE_001_
_____ _CACHE_002_
_____ _CACHE_003_
_____ _CACHE_MAP_
_____US
_____  |_____bookmarks.html
_____  |_____chrome
_____  |   |_____userChrome.css
_____  |   |_____userContent.css
_____  |_____localStorage.rdf
_____  |_____mimeTypeTypes.rdf
_____  |_____panels.rdf
_____  |_____search.rdf
_____bookmarks.html
_____cert7.db
_____chrome
_____  |_____userContent.css
_____cookies.txt
_____key3.db
_____localStorage.rdf
_____mimeTypeTypes.rdf
_____panels.rdf
_____prefs.js
_____search.rdf
_____secmod.db
_____session_crashed.xml

```



gnome-vfs
└── %gconf.xml

.gconfd

├── .nfs00185c8500000001
├── .nfs00185cde00000001
├── .nfs00185d4a00000001
├── .nfs00185d5100000001
├── .nfs00185d5300000001
├── .nfs00185d5800000001
├── .nfs00185d6e00000006
├── .nfs00185dada0000001b
├── .nfs00185db00000000a
├── .nfs00185db500000001
├── .nfs00185dc800000001
├── .nfs00185e6000000001
├── .nfs00185e6100000001
├── .nfs00185e6500000001
├── .nfs00185f1c00000001
├── .nfs00185f5400000001
├── .nfs00185f6f0000000a
├── .nfs00185faa00000002
├── .nfs00185fb000000004
├── .nfs0018606300000001
├── .nfs0018615600000001
├── .nfs0018615700000001
├── .nfs0018616a00000001
├── .nfs0018616c00000001
├── .nfs0018617f00000009
├── .nfs001861b500000001
├── .nfs001861cd00000002
├── .nfs001861ea00000001
├── .nfs001861fa00000001
├── lock
├── └── ior
└── saved_state

.gftp

bookmarks

cache

├── cache10005045
├── cache10458540
├── cache11291999
├── cache11668708
├── cache11864476
├── cache11965677
├── cache12128934
├── cache12293444
├── cache13180790
├── cache13300223
├── cache13313004
├── cache13460287
├── cache13717083
├── cache14037853
├── cache14073261
├── cache14167631
├── cache14752414
├── cache1519439
├── cache16129193
├── cache16428584
├── cache165618
├── cache16922745
├── cache17058536
├── cache17284725
├── cache17699384
├── cache18028802
├── cache18053313
├── cache18260450
├── cache18774997
├── cache19110911
├── cache19380981
├── cache19977474
├── cache20085431
├── cache20266071
├── cache20975588
├── cache21236972
├── cache21254762
├── cache21456156
├── cache21871668
├── cache23189126
├── cache23287284
└── cache23569581

cache2440518
cache24642654
cache25236063
cache25503289
cache25747042
cache25755516
cache25953481
cache25964516
cache260595
cache26676180
cache26914227
cache27012317
cache27215634
cache27417212
cache2792516
cache27974987
cache28524669
cache29490258
cache29869554
cache32284593
cache33497712
cache33517532
cache33568131
cache3475600
cache3517740
cache35459444
cache35756333
cache35997048
cache36029371
cache36590787
cache36706594
cache37135185
cache37207943
cache37972244
cache3826440
cache38319676
cache39126398
cache39344980
cache39753511
cache3993837
cache39954059
cache40037908
cache40045418
cache4014247
cache40233626
cache40916363
cache41300348
cache41329648
cache41845913
cache42294918
cache42299160
cache42741017
cache43029120
cache43519523
cache44450717
cache44859994
cache45329430
cache45389215
cache45556416
cache45784476
cache4578461
cache46054261
cache46341983
cache46820479
cache46973313
cache46983613
cache47053809
cache47535654
cache47576229
cache4854766
cache48965645
cache49240686
cache49555766
cache51396837
cache51570722
cache51670851
cache51945605
cache52080181
cache52663089
cache52996456

cache53282027
cache54099226
cache54219759
cache54391260
cache54953632
cache55434177
cache55655995
cache56289683
cache5737662
cache57649817
cache57736151
cache58294519
cache58397793
cache5842052
cache58842339
cache59524043
cache60090451
cache60581931
cache60664078
cache62760909
cache6291760
cache62954529
cache63307397
cache63396514
cache63753396
cache63921168
cache64070529
cache64316220
cache64370452
cache6523811
cache65335762
cache65693982
cache66074082
cache66980036
cache6720442
cache67471105
cache67547563
cache68959116
cache69318193
cache6985430
cache69943765
cache71090638
cache71640524
cache71796783
cache73850065
cache74005958
cache74971457
cache75456814
cache75639894
cache75710859
cache76370149
cache76973535
cache77398969
cache78309641
cache78743328
cache7935206
cache7944944
cache80346688
cache80394493
cache80491456
cache80523648
cache80538501
cache80954901
cache81191189
cache8126758
cache81533511
cache81692910
cache81710430
cache81887656
cache82289111
cache83027645
cache83387056
cache83731273
cache83757976
cache84546565
cache84757529
cache84978979
cache85100478
cache85172713
cache85330942

- cache86659815
- cache86992355
- cache87123287
- cache8728242
- cache87585965
- cache87658795
- cache87754610
- cache87927858
- cache88442474
- cache8855180
- cache88736556
- cache88924578
- cache89500381
- cache89784135
- cache90295430
- cache91573257
- cache91583964
- cache91884447
- cache92174030
- cache92179193
- cache93724996
- cache93873054
- cache93902740
- cache93965797
- cache93989670
- cache9399095
- cache9402542
- cache94033400
- cache94161956
- cache94382796
- cache94487522
- cache94929582
- cache95104282
- cache96075726
- cache965721
- cache97022267
- cache9746976
- cache97474062
- cache98029945
- cache98246445
- cache98383300
- cache98676492
- cache98905319
- cache99469923
- cache99534098
- cache99640926
- cache99900966
- gftp.log
- gftp.rc
- .gimp-1.2
 - brushes/
 - curves/
 - fractalexplorer/
 - generated_brushes/
 - gfig/
 - gflare/
 - gimprc
 - gimprc.old
 - gimpimpressionist
 - Brushes/
 - Paper/
 - Presets/
 - gradients/
 - gtkrc
 - ideas
 - levels/
 - menu.rc
 - modules/
 - palettes
 - Bears
 - Bgold
 - Blues
 - Borders
 - Browns_And_Yellows
 - Caramel
 - Cascade
 - China
 - Coldfire
 - Cool_Colors
 - Cranes

- _____ Dark_pastels
- _____ Default
- _____ Ega
- _____ Firecode
- _____ Gold
- _____ GrayViolet
- _____ Grayblue
- _____ Grays
- _____ Greens
- _____ Hillite
- _____ Kahki
- _____ Lights
- _____ Muted
- _____ Named_Colors
- _____ News3
- _____ Op2
- _____ Paintjet
- _____ Pastels
- _____ Plasma
- _____ Reds
- _____ Reds_And_Purples
- _____ Royal
- _____ Topographic
- _____ Visibone
- _____ Visibone2
- _____ Volcano
- _____ Warm_Colors
- _____ Web

- _____ parasiterc
- _____ patterns/
- _____ plug-ins/
- _____ pluginrc
- _____ scripts/
- _____ sessionrc
- _____ tmp/
- _____ unitrc

- _____ .gnwtellium
- _____ .gnwtellium
- _____ hosts

- _____ .gnome

- _____ .cddbstatus
- _____ .gnome-smproxy-1eQTC2
- _____ .gnome-smproxy-2VYpVp
- _____ .gnome-smproxy-3BtJXC
- _____ .gnome-smproxy-3l5s75
- _____ .gnome-smproxy-3UX9Fg
- _____ .gnome-smproxy-3qMikO
- _____ .gnome-smproxy-4FiO54
- _____ .gnome-smproxy-4K1FDB
- _____ .gnome-smproxy-4ft2Fp
- _____ .gnome-smproxy-4vptry
- _____ .gnome-smproxy-5lQeiZ
- _____ .gnome-smproxy-5gO58t
- _____ .gnome-smproxy-5j2FC1
- _____ .gnome-smproxy-6M03mO
- _____ .gnome-smproxy-6ZKug9
- _____ .gnome-smproxy-6f6QoZ
- _____ .gnome-smproxy-6y7Bmn
- _____ .gnome-smproxy-7YjfaC
- _____ .gnome-smproxy-7hKGZ9
- _____ .gnome-smproxy-8RUR1Y
- _____ .gnome-smproxy-8hEQdR
- _____ .gnome-smproxy-8tBhJB
- _____ .gnome-smproxy-AFRnR0
- _____ .gnome-smproxy-AKDGqf
- _____ .gnome-smproxy-AqqYWm
- _____ .gnome-smproxy-BNkr74
- _____ .gnome-smproxy-BmbJYr
- _____ .gnome-smproxy-Byzeyz
- _____ .gnome-smproxy-CltpwS
- _____ .gnome-smproxy-CKVmw5
- _____ .gnome-smproxy-CWl5Rv
- _____ .gnome-smproxy-CcjJYX
- _____ .gnome-smproxy-CsAzlu
- _____ .gnome-smproxy-DXiuXd
- _____ .gnome-smproxy-DeZfdR
- _____ .gnome-smproxy-EDuWmh
- _____ .gnome-smproxy-EOeKU0
- _____ .gnome-smproxy-Ez1Muq
- _____ .gnome-smproxy-Fjfhew

— .gnome-smproxy-HI5k5T
— .gnome-smproxy-IJS17S
— .gnome-smproxy-IZJXwz
— .gnome-smproxy-lsujya
— .gnome-smproxy-JVvQb0
— .gnome-smproxy-Jt37tl
— .gnome-smproxy-K2kgub
— .gnome-smproxy-KXEAGd
— .gnome-smproxy-Kv43J9
— .gnome-smproxy-LNh0iD
— .gnome-smproxy-MtqMOp
— .gnome-smproxy-NOVOQc
— .gnome-smproxy-Nj5Xz9
— .gnome-smproxy-OESL9V
— .gnome-smproxy-Os3aBL
— .gnome-smproxy-Qz8cdj
— .gnome-smproxy-RLS2uH
— .gnome-smproxy-SS6HOI
— .gnome-smproxy-SavW0o
— .gnome-smproxy-ShL3pG
— .gnome-smproxy-Snk4fi
— .gnome-smproxy-UAVadb
— .gnome-smproxy-UomqHA
— .gnome-smproxy-UsgVvYH
— .gnome-smproxy-Vl4ifR
— .gnome-smproxy-VWzom7
— .gnome-smproxy-Vn3564
— .gnome-smproxy-WuEARt
— .gnome-smproxy-X9WCeY
— .gnome-smproxy-XHblxs
— .gnome-smproxy-XPJW7E
— .gnome-smproxy-XZrdZd
— .gnome-smproxy-YQd4Rx
— .gnome-smproxy-YZYgV1
— .gnome-smproxy-Ycu6eb
— .gnome-smproxy-Z6Q1eW
— .gnome-smproxy-ZAOiyW
— .gnome-smproxy-ZRyu00
— .gnome-smproxy-ZcPYIT
— .gnome-smproxy-aVZowf
— .gnome-smproxy-aWdgif
— .gnome-smproxy-afps62
— .gnome-smproxy-ahQea4
— .gnome-smproxy-cBGRJi
— .gnome-smproxy-cksGMc
— .gnome-smproxy-dBrg9K
— .gnome-smproxy-dR2dlu
— .gnome-smproxy-dRpzcS
— .gnome-smproxy-doJYtm
— .gnome-smproxy-fAajds
— .gnome-smproxy-fbAxes
— .gnome-smproxy-g0l2Gy
— .gnome-smproxy-gl8ETA
— .gnome-smproxy-geugTL
— .gnome-smproxy-hs478X
— .gnome-smproxy-iMaRTI
— .gnome-smproxy-jAx5Wh
— .gnome-smproxy-jckGo4
— .gnome-smproxy-jzkwz9
— .gnome-smproxy-k4ECS5
— .gnome-smproxy-kWwEa2
— .gnome-smproxy-kdqlwK
— .gnome-smproxy-IRUlzw
— .gnome-smproxy-lUnczr
— .gnome-smproxy-leC3F8
— .gnome-smproxy-lwITV6
— .gnome-smproxy-mHiWrh
— .gnome-smproxy-mPcon8
— .gnome-smproxy-mzBrnl
— .gnome-smproxy-n5ECyu
— .gnome-smproxy-nXVtgx
— .gnome-smproxy-oVAuYF
— .gnome-smproxy-otDGeL
— .gnome-smproxy-qEi0HN
— .gnome-smproxy-qYXEQY
— .gnome-smproxy-qhxZZE
— .gnome-smproxy-qynVJF
— .gnome-smproxy-r0RpdB
— .gnome-smproxy-rFaJHR
— .gnome-smproxy-rWySnx

- .gnome-smproxy-rvRPFt
- .gnome-smproxy-s4teTd
- .gnome-smproxy-sKyIvL
- .gnome-smproxy-sfmNol
- .gnome-smproxy-tGakZO
- .gnome-smproxy-tzSqFQ
- .gnome-smproxy-uHCKqX
- .gnome-smproxy-uuB3dT
- .gnome-smproxy-vL5qtd
- .gnome-smproxy-wBGE6C
- .gnome-smproxy-wEFLJ6
- .gnome-smproxy-wlO8Yp
- .gnome-smproxy-wUJBSb
- .gnome-smproxy-wxWKKOO
- .gnome-smproxy-xRNAOL
- .gnome-smproxy-xbKTDf
- .gnome-smproxy-xwnMPG
- .gnome-smproxy-y5rMhj
- .gnome-smproxy-yAzczh
- .gnome-smproxy-yEcsmB
- .gnome-smproxy-ylq41y
- .gnome-smproxy-zJ1cXw
- AbiWord Personal
- Background
- Desktop
- Dia
- Editor_Plugins
- GDict
- Glade
- Gnome
- GnomeCard
- GnomeCard.gcrd
- GnomeHelp
- Gnumeric
- Screensaver
- Terminal
- accels
 - AbiWord Personal
 - Aisleriot
 - GNOME Sound recorder
 - GNOME menu editor
 - Gnibbles
 - GnomeHelp
 - Terminal
 - calendar
 - dia
 - eog
 - galeon
 - gataxx
 - gcalc
 - gcolorsel
 - gdict
 - gedit
 - gless
 - glines
 - gmc
 - gmix
 - gnobots2
 - gnome-ghostview
 - gnome-stones
 - gnome-utils
 - gnomecard
 - gnomecc-single-shell
 - gnumeric
 - gsearchtool
 - gtcD
 - gtop
 - gtt
 - quicklaunch_applet
 - screensaver-properties
 - session-properties
- application-info
 - user.applications
- apps/
- apps-redhat/
- calendar
- cd-capplet
- cddbslave
- control-center
- default.wm

document_history
doorman
editor
eog
galeon
gataxx
gcalc
gdict
gdm
gedit
ggv
gless
glines
gmc
gmenu
gmix
gnibbles
gnobots2
gnome-hint
gnome-hint-properties
gnome-stones
gnome-terminal-2r58of
gnome-terminal-4G8nyl
gnome-terminal-5Q5Dsq
gnome-terminal-5ax9rG
gnome-terminal-6iNQaj
gnome-terminal-74hUog
gnome-terminal-7H2oTV
gnome-terminal-7InYL7
gnome-terminal-7MJ3fO
gnome-terminal-7NYKBT
gnome-terminal-7bBegI
gnome-terminal-8gzrlp
gnome-terminal-9IFxBy
gnome-terminal-9XKve4
gnome-terminal-9fZJAT
gnome-terminal-ASV8f8
gnome-terminal-AWwARK
gnome-terminal-Ax1GiK
gnome-terminal-B7ZleN
gnome-terminal-BDyaq7I
gnome-terminal-BJMxEL
gnome-terminal-BSAD1o
gnome-terminal-C1GFsG
gnome-terminal-DG1UVN
gnome-terminal-DaDYHI
gnome-terminal-E6hR1o
gnome-terminal-ERoiZF
gnome-terminal-EpHHcs
gnome-terminal-Gft31q
gnome-terminal-HeGrVN
gnome-terminal-J494EI
gnome-terminal-Juer43
gnome-terminal-JutXR3
gnome-terminal-KwBLLC
gnome-terminal-Kzja4q
gnome-terminal-LnpPdI
gnome-terminal-Lu2sK6
gnome-terminal-Mul8oJ
gnome-terminal-NIWNed
gnome-terminal-NSkmK7
gnome-terminal-NqpeCv
gnome-terminal-NrkMjD
gnome-terminal-OGEDJx
gnome-terminal-ORkllg
gnome-terminal-P6MPI8
gnome-terminal-PQcxHv
gnome-terminal-PoB3Zc
gnome-terminal-PtpMIK
gnome-terminal-PymvBb
gnome-terminal-QJDsbb
gnome-terminal-QScJXx
gnome-terminal-RGbyEg
gnome-terminal-RcVknM
gnome-terminal-Ri4KOe
gnome-terminal-RjEcej
gnome-terminal-S8BSdd
gnome-terminal-SF7tdI
gnome-terminal-SO8AZS
gnome-terminal-TQqtAI

- gnome-terminal-TTS2eV
- gnome-terminal-UI3tVe
- gnome-terminal-VC1Uyo
- gnome-terminal-VFrzg4
- gnome-terminal-VguDiD
- gnome-terminal-VxkDnM
- gnome-terminal-X3Ys0o
- gnome-terminal-X9S0wY
- gnome-terminal-YR4pWm
- gnome-terminal-YdTlbg
- gnome-terminal-ZtKnD
- gnome-terminal-aPErgd
- gnome-terminal-aiMlhd
- gnome-terminal-bHONrg
- gnome-terminal-bOG5dQ
- gnome-terminal-bRP1bW
- gnome-terminal-cFGcc8
- gnome-terminal-ckV1Tg
- gnome-terminal-dzFP3X
- gnome-terminal-eMyckj
- gnome-terminal-fk7IEL
- gnome-terminal-gVv45q
- gnome-terminal-gYkojA
- gnome-terminal-ghXB4z
- gnome-terminal-h7uxis
- gnome-terminal-hJW08k
- gnome-terminal-hfjNPe
- gnome-terminal-i3wjnP
- gnome-terminal-ikdloP
- gnome-terminal-j9d5xT
- gnome-terminal-jGAUo2
- gnome-terminal-k1IsUm
- gnome-terminal-kkbHzZ
- gnome-terminal-ksKEMY
- gnome-terminal-kuT2e8
- gnome-terminal-l3KKyb
- gnome-terminal-mfX7kV
- gnome-terminal-nsIS8k
- gnome-terminal-oWVhYm
- gnome-terminal-oq0rfj
- gnome-terminal-pBqTMm
- gnome-terminal-pjrAJV
- gnome-terminal-q1w8bb
- gnome-terminal-q22lys
- gnome-terminal-raLpBv
- gnome-terminal-rz50al
- gnome-terminal-tA2tDV
- gnome-terminal-tDROI2
- gnome-terminal-tSFcmD
- gnome-terminal-tic6FK
- gnome-terminal-uMM9IC
- gnome-terminal-v4Z7ug
- gnome-terminal-vSYyMe
- gnome-terminal-wmhOIP
- gnome-terminal-xCPbZ1
- gnome-terminal-yMyMzA
- gnome-terminal-ykW43q
- gnome-terminal-ynUJJC
- gnome-terminal-zhZCAh
- gnome-upgrade
- gnome-utils
- gnome-vfs
 - .trash_entry_cache
- gnotes.d/
- grecord
- gsearchtool
- gtcd
- gtkhtml
- gtkhtml-bindings-custom
- gtop
- gtt
- magicdev
- metadata.db
- mime-info
 - user.keys
 - user.mime
- mini-commander
- nautilus-scripts/
- panel
- panel.d

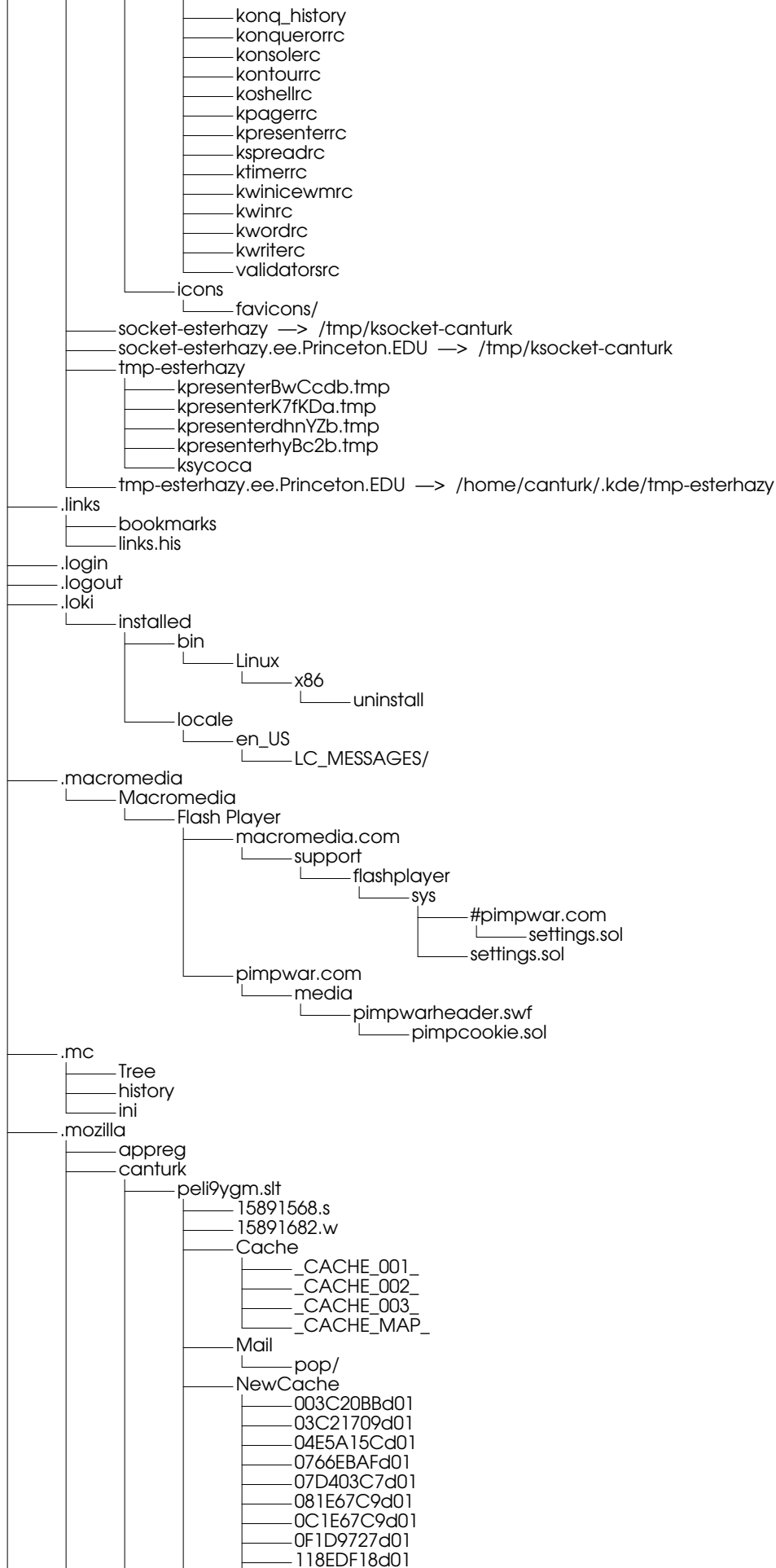
- default
 - Applet_10_Extern
 - Applet_11_Extern
 - Applet_12_Extern
 - Applet_13_Extern
 - Applet_14_Extern
 - Applet_15_Extern
 - Applet_16_Extern
 - Applet_17_Extern
 - Applet_18_Extern
 - Applet_19_Extern
 - Applet_20_Extern
 - Applet_22_Extern
 - Applet_23_Extern
 - Applet_24_Extern
 - Applet_26_Extern
 - Applet_27_Extern
 - Applet_28_Extern
 - Applet_29_Extern
 - Applet_2_Extern
 - Applet_31_Extern
 - Applet_32_Extern
 - Applet_33_Extern
 - Applet_34_Extern
 - Applet_35_Extern
 - Applet_36_Extern
 - Applet_37_Extern
 - Applet_38_Extern
 - Applet_39_Extern
 - Applet_3_Extern
 - Applet_40_Extern
 - Applet_41_Extern
 - Applet_42_Extern
 - Applet_43_Extern
 - Applet_44_Extern
 - Applet_47_Extern
 - Applet_51_Extern
 - Applet_5_Extern
 - Applet_7_Extern
 - Applet_8_Extern
 - Applet_9_Extern
 - Applet_Config
 - Applet_Dummy
 - Applet_Position_Memory
 - launchers
 - bar-0024e624d2.desktop
 - blah-00221b55f3.desktop
 - blah-0073a74784.desktop
 - curly-002cc49486.desktop
 - curly-003e8f173a.desktop
 - eek-00050b736d.desktop
 - foo-001c352657.desktop
 - gegl-004c40175f.desktop
 - greasy-004572adee.desktop
 - hammer-006f7852c2.desktop
 - larry-0041b912ea.desktop
 - larry-0042c52fb4.desktop
 - larry-005c280bd5.desktop
 - moe-002e193e10.desktop
 - moe-005d683e21.desktop
- pixmaps/
- preview_window
- quicklaunch
 - dropped-entry-1515c802.desktop
 - dropped-entry-1d530fd2.desktop
 - dropped-entry-1fb4c884.desktop
 - dropped-entry-24f653c9.desktop
 - dropped-entry-2f6c4fa4.desktop
 - dropped-entry-32f7d3b7.desktop
 - dropped-entry-367852f7.desktop
 - dropped-entry-3d251026.desktop
 - dropped-entry-3fb984db.desktop
 - dropped-entry-485da128.desktop
 - dropped-entry-49b508ca.desktop
 - dropped-entry-50a76925.desktop
 - dropped-entry-5b6bca1.desktop
 - dropped-entry-679cf152.desktop
 - dropped-entry-6a85dc5f.desktop
 - dropped-entry-71103298.desktop

- dropped-entry-782916dd.desktop
- dropped-entry-7fdccb7.desktop
- dropped-entry-cade0e8.desktop
- dropped-entry-dd8445d.desktop
- quicklaunch_applet
- screenshoter_applet
- session
- session-manual
- session-options
- slashapp
 - headlines
- sol
- sound
 - system
- theme-switcher-capplet
- user-cal.vcf
- user-cal.vcf~
- webcontrol_applet
- wm-properties
 - Config
- gnome-desktop
 - nautilus-metafile.xml
 - Trash
 - abiword.desktop
 - bar-006f5da193.desktop
 - blah-00448ac1ea.desktop
 - canturk's Home
 - curly-0038622184.desktop
 - eek-0044161415.desktop
 - foo-007de02942.desktop
 - hammer-007742d793.desktop
 - kernel_notes.desktop
 - larry-0073e9bfd.desktop
 - larry-0076be44ab.desktop
 - nautilus.desktop
 - starthere.desktop
 - virgin_IP
 - xmms.desktop
- gnome-help-browser
 - bookmarks
 - history
- gnome_private
 - cddbslave
- gphoto
 - gphotorc
- gqview
 - accels
 - collections/
 - gqviewrc
 - history
 - thumbnails/
- gqviewrc
- gtik.conf
- gtkrc
- history
- ispell_english
- kde
 - share
 - applnk
 - Applications
 - gnumeric.desktop
 - apps
 - RecentDocuments
 - MesaPhasesThresholdv2_BATCHMODE.c.desktop
 - ParserPhasesThresholdv2_BATCHMODE.c.desktop
 - PowerMeter.c.desktop
 - TwolfPhasesThresholdv2_BATCHMODE.c.desktop
 - TwolfPhasesThresholdv2_BATCHMODE_Makefile.desktop
 - VprPhasesThresholdv2_BATCHMODE.c.desktop
 - VprPhasesThresholdv2_BATCHMODE_Makefile.desktop
 - mesalog_long.c.desktop
 - twolflog_long.c.desktop
 - vprlog.c.desktop
 - karm
 - karmdata.txt
 - kate/
 - kcookiejar/
 - kdeprint
 - printjobs
 - kdevelop

```

    KDE-Documentation/
    cpp
    header
kfm
  bookmarks/
khtml/
kio_http
  cache
    cleaned
    k
      www.kde.org_:14cc96d3
      www.kde.org_media_images_hotspots_kdeforum-org.png:0848e034
      www.kde.org_media_images_kde_logo.jpg:555c6ad7
      www.kde.org_media_images_kde_logo_bg.png:28df5c74
      www.kde.org_media_styles_print.css:11cca13e
      www.kde.org_media_styles_standard.css:5d9249af
    p
      www.princeton.edu:7f3cbab8
      www.princeton.edu_Siteware_Images_Cornerpictures_39.jpg:6b2c3212
      www.princeton.edu_Siteware_Images_Public_Events_Calendar.gif:330a5857
      www.princeton.edu_Siteware_Images_a&n14.gif:16e3c310
      www.princeton.edu_Siteware_Images_barblue.gif:19f95261
      www.princeton.edu_Siteware_Images_bluefade.gif:49cf93e2
      www.princeton.edu_Siteware_Images_head14.gif:6727f164
      www.princeton.edu_Siteware_Images_pubigshadow.gif:6739d07a
      www.princeton.edu_Siteware_Images_transp1.gif:602f3872
      www.princeton.edu_Siteware_Images_yellowline.gif:30a962a2
      www.princeton.edu_Siteware_Includes_menu.css:429e1e15
      www.princeton.edu_icons_back.gif:242e44f4
      www.princeton.edu_icons_binary.gif:452588ca
      www.princeton.edu_icons_blank.gif:584fd3b2
      www.princeton.edu_icons_folder.gif:17b78995
      www.princeton.edu_icons_layout.gif:1be8639c
      www.princeton.edu_icons_p.gif:01a7b2c9
      www.princeton.edu_icons_text.gif:05840f98
      www.princeton.edu_icons_unknown.gif:795c0b93
      www.princeton.edu_pr_home_hmpix.gif:4ad26ead
      www.princeton.edu_~canturk_:48f8032a
      www.princeton.edu_~canturk_MYindex.BAK:06961a15
      www.princeton.edu_~canturk_MYindex.html:5d22f7b9
      www.princeton.edu_~canturk_images_cant1.jpg:1f216870
      www.princeton.edu_~canturk_webupdate_cantop2.gif:304d392e
kivio
  globalconfig
koffice/
konqueror
  bookmarks.xml
  konq_history
kwin
  icewm-themes/
kwrite/
config
  colors
    Custom_Colors
    Recent_Colors
  drkonqirc
  emaildefaults
  karmrc
  katepluginrc
  katerc
  katesessionrc
  kcalcsrc
  kchartrc
  kcmshellrc
  kcoloreditrc
  kconf_updaterc
  kdbgrc
  kdeglobals
  kdeprintrc
  kdesktoprc
  kdevelop:11807031e0000104493623200000011230022
  kdeveloprc
  kedittbookmarksrc
  kghostviewrc
  khexeditrc
  kimon:11807031e0000103344290900000011180030
  kioslaverc
  kivio.conf
  kiviorc
  klpqrc

```



16419965d01
1ACBC7ADd01
1B76C319d01
1B79C319d01
1B7AC319d01
1B7BC319d01
1B7DC319d01
1CC076F8d01
20F06026d01
21F07026d01
22C32AC3d01
22F04026d01
23881B76d01
23F05026d01
240AA141d01
24F10026d01
25990BA1d01
26F1E026d01
27956B49d01
2AF3A722d01
2BAF5A09d01
2CE96593d01
2CF02026d01
2DF03026d01
2E1D4FDBd01
2EF8B6D5d01
2EFAB6D5d01
2EFBB6D5d01
2EFCB6D5d01
2EFDB6D5d01
2EFEB6D5d01
2EFFB6D5d01
30373919d01
37BC32BA d01
37CFA320d01
3837EEC9d01
3A3B7BBBd01
3CF744D6d01
3D889033d01
422A7417d01
423FB579d01
432A7417d01
43812B8Dd01
43872B8Dd01
479F134Fd01
48F9A5DBd01
4A00FF82d01
4ADC26F1d01
4B2F8A95d01
4B2F8AA5d01
4B7C1FFEd01
4BE51AE1d01
4C2A7417d01
4E590EF2d01
50D95975d01
51D85975d01
51F647B5d01
5209D11Dd01
52D75975d01
5381E1CDd01
53F64007d01
56864560d01
57964560d01
60250841d01
63F49DB6d01
64515297d01
65515297d01
668D095Ed01
69250134d01
69B54235d01
6A515297d01
6A6B0ED2d01
6BE7E599d01
6BE7FB2Dd01
6CC27980d01
6F250842d01
6FA1879Ed01
706B2B39d01
72C44F8Bd01
74515297d01

752D2DCCd01
755CA7F6d01
78515297d01
794EEF85d01
79515297d01
7B636593d01
7CD8E0C1d01
7E515297d01
7EA1C31Ad01
80AAC1B7d01
80BEE571d01
8115B3C1d01
819DFFBCd01
82120038d01
836BB9Bd01
83AAC1B4d01
84D9576Cd01
8615B3C1d01
8715B3C1d01
88465865d01
88515297d01
89515297d01
8A848A8Cd01
8E515297d01
9015B3C1d01
9115B3C1d01
916018D2d01
9215B3C1d01
92B11EC2d01
9492F503d01
9615B3C1d01
96B6F5EDd01
9790F9EBd01
989C0EC7d01
98C48B95d01
99CE9BD5d01
9BB9A529d01
9BC6E7FCd01
9D15B3C1d01
9D1E67CAAd01
9E0B2B38d01
9F1E67CAAd01
A0644390d01
A68EA6FAd01
AC6E5B01d01
ADC95BBBd01
AED220BBd01
AFFF7812d01
B442CD1Bd01
B7E50CBFd01
B87A5451d01
B87A6D81d01
B87A6D91d01
B87A6DF1d01
B892A9C6d01
BAB55129d01
BC52510Bd01
C1EBA140d01
C20F18D3d01
C334571Bd01
C3CFD443d01
C41013BFd01
C89E8D8Bd01
C9739722d01
C9D0666Ed01
CC003DD0d01
CD0F18D3d01
D0AB5144d01
D316898Dd01
D455A79Cd01
D801C4C8d01
D801D0C8d01
DC5C80B3d01
DD7464FCd01
E15D8336d01
E20F18D3d01
E53598D7d01
E8250840d01
E9250840d01
E94AEC3Dd01

```

_____E996F3CBd01
_____E9A5129Bd01
_____E9D836BAcd01
_____EA250840d01
_____EABD2F5Cd01
_____EB250840d01
_____EC250840d01
_____ED250840d01
_____EF250840d01
_____F20F18D3d01
_____F30F18D3d01
_____F4CF18D3d01
_____F5FA7DD6d01
_____F80F18D3d01
_____F90F18D3d01
_____F9250840d01
_____FA0F18D3d01
_____FB0F18D3d01
_____FD0F18D3d01
_____FD250840d01
_____FE250840d01
_____FF250840d01
_____ _CACHE_001_
_____ _CACHE_002_
_____ _CACHE_003_
_____ _CACHE_MAP_
_____News
|_____host-news
|_____hostinfo.dat
_____URL.tbl
_____XUL.mfasl
_____bookmarks.html
_____cert7.db
_____chrome
|_____chrome.rdf
|_____user-locales.rdf
|_____user-skins.rdf
_____cookies.txt
_____cookperm.txt
_____history.dat
_____history.list
_____install.log
_____key3.db
_____liprefs.js
_____localstore.rdf
_____mimeTypes.rdf
_____old history.dat
_____panels.rdf
_____plugin-list
_____plugin-list.BAK
_____plugins
|_____ShockwaveFlash.class
|_____libflashplayer.so
_____preferences.js
_____prefs.js
_____registry
_____search.rdf
_____secmod.db
_____secmodule.db
_____plugins
|_____ShockwaveFlash.class
|_____libflashplayer.so
_____mozver.dat
_____plugins
|_____ShockwaveFlash.class
|_____flashplayer.xpt
|_____libflashplayer.so
_____ .mplayer
|_____config
_____ .nautilus
|_____MozillaProfile
|_____Cache/
|_____bookmarks.xml
|_____first-time-flag
|_____metafiles
|_____file:%2F%2F%2Fhome.xml
|_____file:%2F%2F%2Fmnt.xml
|_____trash:.xml
|_____thumbnails
|_____file:%2F%2F%2Fcommon

```

3.aa.jpg.png
file:%2F%2F%2Fcommon%2Fcanturk
 |_ castle_thermal.aa.jpg.png.x
file:%2F%2F%2Fhome%2Fcanturk
 |_ nike_ace83_whitepink.aa.jpg.png
file:%2F%2F%2Fhome%2Fcanturk%2F.Trash
 |_ 2002_11_21_095105_shot.aa.jpg.png
 |_ 2002_11_21_095246_shot.aa.jpg.png
 |_ 2002_11_21_095319_shot.aa.jpg.png
 |_ 2003_04_24_020655_shot.aa.jpg.png
file:%2F%2F%2Fhome%2Fcanturk%2F.gnome-desktop/
file:%2F%2F%2Fhome%2Fcanturk%2FC/
file:%2F%2F%2Fhome%2Fcanturk%2FC%2Fplotting/
file:%2F%2F%2Fhome%2Fcanturk%2FC%2Fplotting%2Fthread_safe/
file:%2F%2F%2Fhome%2Fcanturk%2FC%2Fserial
 |_ client_bar.aa.gif.png
 |_ client_plot.aa.gif.png
 |_ plotter.aa.gif.png
file:%2F%2F%2Fhome%2Fcanturk%2FSpecCPU2000%2Fspec_tools%2Fresult%2Fimages/
file:%2F%2F%2Fhome%2Fcanturk%2Fcant%2Fbuffy
 |_ elizadelle.aa.jpg.png
file:%2F%2F%2Fhome%2Fcanturk%2Fcanturk_dump%2Fpublic_html%2Fbesiktas/
file:%2F%2F%2Fhome%2Fcanturk%2Fcanturk_dump%2Fpublic_html%2Fpics/
file:%2F%2F%2Fhome%2Fcanturk%2Fdownloads
 |_ Kyaka.aa.JPG.png
file:%2F%2F%2Fhome%2Fcanturk%2Fpublic_html%2Fpics
 |_ ilker1.aa.jpg.png
 |_ ilker2.aa.jpg.png
 |_ ilker4.aa.jpg.png
 |_ ilker5.aa.jpg.png
 |_ ilker7.aa.jpg.png
 |_ ilkerNew York 1.aa.jpg.png
 |_ ilkerNew York 2.aa.jpg.png
file:%2F%2F%2Fhome%2Fcanturk%2Fpublic_html%2Fpics%2Fizmir
 |_ P6270085.aa.JPG.png
 |_ P6270086.aa.JPG.png
 |_ P6270087.aa.JPG.png
 |_ P6270088.aa.JPG.png
 |_ P6270089.aa.JPG.png
 |_ P6270090.aa.JPG.png
 |_ P6270091.aa.JPG.png
 |_ P6270093.aa.JPG.png
 |_ P6270094.aa.JPG.png
 |_ P6270095.aa.JPG.png
 |_ P6270096.aa.JPG.png
 |_ P6270097.aa.JPG.png
 |_ P6270098.aa.JPG.png
file:%2F%2F%2Fhome%2Fcanturk%2Fpublic_html%2Fpics%2FKuzenveBen
 |_ 2164996339.aa.jpg.png
 |_ 2164996341.aa.jpg.png
 |_ 2164996342.aa.jpg.png
 |_ ilker1.aa.jpg.png
 |_ ilker2.aa.jpg.png
 |_ ilker4.aa.jpg.png
 |_ ilker5.aa.jpg.png
 |_ ilker7.aa.jpg.png
 |_ ilkerNew York 1.aa.jpg.png
 |_ ilkerNew York 2.aa.jpg.png
file:%2F%2F%2Fhome%2Fcanturk%2Fpublic_html%2Fpics%2Fpassed_generals
 |_ general_passed1.aa.jpg.png
 |_ general_passed2.aa.jpg.png
 |_ general_passed3.aa.jpg.png
 |_ general_passed4.aa.jpg.png
 |_ general_passed5.aa.jpg.png
 |_ general_passed6.aa.jpg.png
file:%2F%2F%2Fhome%2Fcanturk%2Fpublic_html%2Fpublic.itrs.net%2FFiles%2F2001ITRS%2Fimages
 |_ Home_01.aa.gif.png
 |_ Home_11-down.aa.gif.png
 |_ Home_11-over.aa.gif.png
 |_ Home_11.aa.gif.png
 |_ Home_14-down.aa.gif.png
 |_ Home_14-over.aa.gif.png
 |_ Home_14.aa.gif.png
file:%2F%2F%2Fhome%2Fcanturk%2Fpublic_html%2Fpublic.itrs.net%2FFiles%2F2001ITRS%2Fimages%2Fsil
 |_ Home_11-down.aa.gif.png
 |_ Home_11-over.aa.gif.png
 |_ Home_14-down.aa.gif.png
 |_ Home_14-over.aa.gif.png
file:%2F%2F%2Fhome%2Fcanturk%2Fpublic_html%2Fwww.ee.princeton.edu%2F%25257Ewwang%2Fpic
 |_ bgoaklight.aa.jpg.png

file:%2F%2F%2FHome%2Fcanturk%2Fpublic_html%2Fwww.ee.princeton.edu%2F%25257Ewwang%2Fpic%2Fbutton/

file:%2F%2F%2FHome%2Fcanturk%2Fresearch

castle_thermal.aa.jpg.png.x

castle_thermalv2.aa.jpg.png

castle_thermalv2_offer5hrs.aa.jpg.png

castle_thermalv2_final_at_startup.aa.jpg.png

file:%2F%2F%2FHome%2Fcanturk%2Fresearch%2Fdocs

p4_13micron_die.aa.jpg.png

p4_die.aa.gif.png

p4pdie1.aa.tif.png

p4pdie2.aa.gif.png

p4pdie2.aa.tif.png

transistor_crossection.aa.jpg.png

file:%2F%2F%2FHome%2Fcanturk%2Fresearch%2Fdocs%2FINTEL_documentation%2Fsandpile_org%2520--%2520IA-32%2520

logo_ani.aa.gif.png

file:%2F%2F%2FHome%2Fcanturk%2Fresearch%2Fdocs%2FP4

P4 floorplan.aa.jpg.png

p4_13micron_die.aa.jpg.png

p4_die.aa.gif.png

p4pdie1.aa.tif.png

p4pdie2.aa.gif.png

p4pdie2.aa.tif.png

file:%2F%2F%2FHome%2Fcanturk%2Fscreenshots

2002_09_30_212727_shot.aa.jpg.png

2002_10_22_230406_shot.aa.jpg.png

2002_10_22_230424_shot.aa.jpg.png

2002_11_21_095001_shot.aa.jpg.png

2002_11_21_095052_shot.aa.jpg.png

2002_11_21_095105_shot.aa.jpg.png

2002_11_21_095246_shot.aa.jpg.png

2002_11_21_095319_shot.aa.jpg.png

2003_04_09_164840_shot.aa.jpg.png

2003_04_09_164956_shot.aa.jpg.png

2003_04_09_165236_shot.aa.jpg.png

2003_04_09_173247_shot.aa.jpg.png

2003_04_24_012757_shot.aa.jpg.png

2003_04_28_140411_shot.aa.jpg.png

2003_05_01_060146_shot.aa.jpg.png

2003_05_01_080315_shot.aa.jpg.png

2003_05_01_180602_shot.aa.jpg.png

2003_05_01_180933_shot.aa.jpg.png

2003_05_01_182646_shot.aa.jpg.png

2003_05_02_174730_shot.aa.jpg.png

2003_05_05_151533_shot.aa.jpg.png

2003_05_05_152302_shot.aa.jpg.png

2003_05_12_144333_shot.aa.jpg.png

2003_05_12_145102_shot.aa.jpg.png

2003_05_17_204623_shot.aa.jpg.png

2003_05_17_204746_shot.aa.jpg.png

2003_05_17_212313_shot.aa.jpg.png

2003_05_17_212326_shot.aa.jpg.png

2003_05_17_213050_shot.aa.jpg.png

2003_05_17_220628_shot.aa.jpg.png

2003_05_17_220636_shot.aa.jpg.png

2003_05_17_223537_shot.aa.jpg.png

2003_05_17_223540_shot.aa.jpg.png

2003_05_18_004341_shot.aa.jpg.png

2003_05_18_011956_shot.aa.jpg.png

2003_05_18_012001_shot.aa.jpg.png

2003_05_18_012005_shot.aa.jpg.png

2003_05_18_012009_shot.aa.jpg.png

2003_05_18_012018_shot.aa.jpg.png

2003_05_18_012023_shot.aa.jpg.png

2003_05_18_012027_shot.aa.jpg.png

2003_05_18_012031_shot.aa.jpg.png

2003_05_18_013205_shot.aa.jpg.png

2003_05_18_013207_shot.aa.jpg.png

2003_05_18_013211_shot.aa.jpg.png

2003_05_18_013217_shot.aa.jpg.png

2003_05_18_013218_shot.aa.jpg.png

2003_05_18_013231_shot.aa.jpg.png

2003_05_18_013236_shot.aa.jpg.png

2003_05_18_013238_shot.aa.jpg.png

2003_05_18_013242_shot.aa.jpg.png

2003_05_18_013243_shot.aa.jpg.png

2003_05_18_013248_shot.aa.jpg.png

2003_05_18_020339_shot.aa.jpg.png

2003_05_18_020343_shot.aa.jpg.png

2003_05_18_020449_shot.aa.jpg.png

2003_05_18_020452_shot.aa.jpg.png

2003_05_18_020456_shot.aa.jpg.png
 2003_05_18_020500_shot.aa.jpg.png
 2003_05_18_020504_shot.aa.jpg.png
 PowerPlotter_example.aa.jpg.png
 branchBars.aa.jpg.png
 clamp_not_around_wires.aa.jpg.png
 crafty_parser.aa.jpg.png
 gap_vortex.aa.jpg.png
 jiggles_notClamprelated_not_DMMrelated.aa.jpg.png
 other_pwr_lines_vs_12V.aa.jpg.png
 power_12V_nowire_5V.aa.jpg.png
 power_for_individual_12V_lines.aa.jpg.png
 torus.aa.jpg.png
 file:%2F%2F%2Fhome%2Fcanturk%2Fscreenshots%2Ffele580i/
 file:%2F%2F%2Fhome%2Fcanturk%2Fscreenshots%2Fjiggles
 2003_05_01_182646_shot.aa.jpg.png
 2003_05_02_174730_shot.aa.jpg.png
 5x5Vlines_together.aa.jpg.png
 clamp_not_around_wires.aa.jpg.png
 other_pwr_lines_vs_12V.aa.jpg.png
 power_12V_nowire_5V.aa.jpg.png
 power_for_individual_12V_lines.aa.jpg.png
 win2000_still_ripples.aa.jpg.png
 file:%2F%2F%2Fmnt%2Fcdrom
 TGcoutmsk.aa.gif.png
 TGxorstx.aa.gif.png
 finalFFR.aa.gif.png
 strokes.aa.gif.png
 file:%2F%2F%2Fmnt%2Fcdrom%2Fgraphics
 10PBFAZPinch Array copy.aa.jpg.png
 11Industrial Spinoff.aa.jpg.png
 13Carla Montoya w_AGDIS.aa.jpg.png
 15Virtual National Lab.aa.jpg.png
 17Aging Aircraft.aa.jpg.png
 18bees.aa.jpg.png
 19Archimedes.aa.jpg.png
 23Heliostat Long.aa.jpg.png
 25Clean Room FAB II.aa.jpg.png
 30Protein Folding.aa.jpg.png
 33Teraflops Inside 2.aa.jpg.png
 35Neutron Generator.aa.jpg.png
 36 Z-machine.aa.jpg.png
 37Solar Detox.aa.jpg.png
 9Micro_orange.aa.jpg.png
 AlbatrazAquarium.aa.jpg.png
 Balloon.aa.jpg.png
 Buffalo Dancer.aa.jpg.png
 Carole Le Gall 02.aa.jpg.png
 Golden Gate.aa.jpg.png
 Kung Fu III.aa.jpg.png
 Lab on a Chip Long.aa.jpg.png
 Micro Gears.aa.jpg.png
 Mountain strip.aa.jpg.png
 Sandia 4 tall.aa.jpg.png
 Sled track long.aa.jpg.png
 Tadros.aa.jpg.png
 Tina Nenoff.aa.jpg.png
 VINEYARD.aa.JPG.png
 WIPP_ Weart.aa.jpg.png
 amanda.aa.jpg.png
 flamespray long.aa.jpg.png
 moli.aa.jpg.png
 file:%2F%2F%2Fmnt%2Fcdrom%2FwminNTaccount
 Untitled-1.aa.bmp.png
 belt.aa.jpg.png
 can.aa.bmp.png
 can2.aa.bmp.png
 file:%2F%2F%2Fmnt%2Fcdrom%2FwminUNIXaccount
 belt.aa.jpg.png
 file:%2F%2F%2Fmnt%2Fcdrom%2FwminUNIXaccount%2FCD
 Belma.aa.jpg.png
 file:%2F%2F%2Fmnt%2Fcdrom%2FwminUNIXaccount%2Fpublic_html
 CV.aa.JPG.png
 can1.aa.JPG.png
 donerkaf.aa.gif.png
 newer.aa.JPG.png
 paternaplet.aa.JPG.png
 ribbon.aa.gif.png

.nautilus-metafile.xml

.netscape

- archive/
- bookmarks.html
- cache
 - 00
 - cache3C259CE013938C2.gif
 - cache3C259CE013A38C2.gif
 - 01
 - cache3D4EE60105609A9.gif
 - 02/
 - 03
 - cache3C259C4311238C2.gif
 - cache3C259C4311338C2.js
 - cache3C259C4311438C2.js
 - cache3C259C4311538C2.gif
 - cache3C259C4311638C2.gif
 - cache3E03DAE306720A9
 - cache3E03DAE306820A9
 - cache3F8247830BA3D19.gif
 - 04
 - cache3C259CA412438C2.js
 - cache3C259CA412638C2.js
 - cache3C259CA412738C2.js
 - cache3E03DB0407B20A9
 - cache3E03DB0407D20A9.gif
 - cache3E03DB0407E20A9.gif
 - cache3E03DB0407F20A9.gif
 - 05
 - cache3C259CA512838C2.js
 - cache3C259CA512938C2.js
 - cache3C259CA512A38C2.js
 - cache3F82474502B3D19.css
 - cache3F82474502D3D19.css
 - cache3F82474502F3D19.js
 - cache3F8247450313D19
 - cache3F8247450323D19
 - cache3F8247450333D19
 - cache3F8247450343D19
 - 06
 - cache3C259CA612C38C2.js
 - cache3C259CA612D38C2.gif
 - cache3E4C6B26002025F.css
 - cache3F8247460353D19
 - cache3F8247460363D19
 - cache3F8247460373D19
 - cache3F8247460383D19
 - cache3F8247460393D19
 - cache3F82474603A3D19
 - cache3F82474603B3D19
 - cache3F82474603C3D19
 - cache3F82474603D3D19
 - cache3F82474603E3D19
 - cache3F82474603F3D19
 - cache3F8247460403D19
 - cache3F8247460413D19
 - cache3F8247460423D19
 - cache3F8247460443D19
 - cache3F8247460453D19.js
 - 07
 - cache3C259C4711738C2.gif
 - cache3C259C4711838C2.gif
 - cache3C259C4711938C2.gif
 - cache3C259C4711A38C2.gif
 - cache3C259C4711B38C2.gif
 - cache3C259C4711C38C2.gif
 - cache3C259CA712E38C2
 - cache3E4C6B27003025F.GIF
 - cache3E4C6B27004025F.js
 - cache3E4C6B27005025F.gif
 - cache3E4C6B27006025F.gif
 - cache3E4C6B27007025F.gif
 - cache3E4C6B27008025F.gif
 - cache3E4C6B27009025F.js
 - cache3E4C6B2700B025F.gif
 - cache3E4C6B2700C025F.gif
 - cache3E4C6B2700D025F.gif
 - cache3E4C6B2700E025F.gif
 - cache3E4C6B2700F025F.gif
 - cache3E4C6B27010025F.gif
 - cache3E4C6B27011025F.gif
 - cache3F8247470463D19.htm

cache3F8247470473D19.js
cache3F82476708B3D19.gif
cache3F82476708C3D19.gif
cache3F82476708D3D19.gif
cache3F82476708E3D19.gif
cache3F82476708F3D19.gif
cache3F8247670903D19.gif
cache3F8247670913D19.gif

08

cache3E4C6B28012025F.gif
cache3E4C6B28013025F.gif
cache3E4C6B28014025F.gif
cache3E4C6B28015025F.jpg
cache3E4C6B28016025F.jpg
cache3E4C6B28017025F.jpg
cache3E4C6B28018025F.gif
cache3E4C6B28019025F.gif
cache3E4C6B2801A025F.gif
cache3E4C6B2801B025F.gif
cache3E4C6B2801C025F.gif
cache3E4C6B2801D025F.gif
cache3E4C6B2801E025F.jpg
cache3E4C6B2801F025F.jpg
cache3E4C6B28020025F.gif

09

cache3D4EE36900309A9.gif
cache3E03DAA900120A9.js
cache3E03DAA900220A9.gif
cache3E03DAA900320A9.gif
cache3E03DAA900420A9.gif
cache3E03DAA900520A9.gif
cache3E03DAA900620A9.gif
cache3E03DAA900720A9.gif
cache3E4C6B29021025F.gif
cache3E4C6B29022025F.jpg
cache3E4C6B29023025F.gif
cache3E4C6B29024025F.gif
cache3E4C6B29025025F.jpg

0A

cache3E4C6B2A026025F.gif
cache3E4C6B2A027025F.jpg

0B/

0C/

0D/

0E

cache3E03DB2E08020A9.html

0F

cache3D4EE42F03209A9.gif
cache3D4EE42F03309A9.gif
cache3D4EE42F03409A9
cache3D4EE42F03509A9.gif
cache3D4EE42F03609A9.gif
cache3D4EE42F03709A9.gif
cache3D4EE42F03809A9.gif
cache3D4EE42F03909A9.gif
cache3D4EE42F03A09A9.gif
cache3D4EE42F03B09A9.gif
cache3D4EE42F03C09A9.gif
cache3D4EE42F03D09A9.gif
cache3D4EE42F03E09A9.gif
cache3D4EE42F03F09A9.gif
cache3D4EE42F04009A9.gif
cache3D4EE42F04109A9.gif
cache3D4EE42F04209A9.gif
cache3E03DACF01A20A9.js
cache3E03DACF01B20A9.js
cache3E03DACF01D20A9.css
cache3E03DACF01E20A9.css
cache3E03DACF01F20A9.css
cache3E03DACF02420A9.gif
cache3E03DACF02520A9.gif
cache3E03DACF02620A9.gif
cache3E03DACF02720A9.gif
cache3E03DACF02820A9.jpg
cache3E03DACF02920A9.gif
cache3E03DACF02A20A9.gif
cache3E03DACF02B20A9
cache3E03DACF02C20A9.gif
cache3E03DACF02D20A9.gif
cache3E03DACF02E20A9.gif

cache3E03DACF02F20A9.gif
cache3E03DACF03020A9.gif
cache3E03DACF03120A9.gif
cache3E03DACF03220A9.gif
cache3E03DACF03320A9.gif
cache3E03DACF03420A9.gif
cache3F82474F04B3D19.css
cache3F82474F04C3D19.gif
cache3F82474F04D3D19.gif
cache3F82474F04E3D19.gif
cache3F82474F04F3D19.gif
cache3F82474F0503D19.gif
cache3F82474F0513D19.gif
cache3F82474F0523D19.gif
cache3F82474F0533D19.gif
cache3F82474F0543D19.gif
cache3F82474F0553D19.gif
cache3F82474F0563D19.gif
cache3F82474F0573D19.gif
cache3F82474F0583D19.gif
cache3F82474F0593D19.gif
cache3F82474F05A3D19.gif
cache3F82474F05B3D19.gif
cache3F82476F0943D19.jpg
cache3F82476F0953D19.gif
cache3F82476F0963D19.jar
cache3F82476F0973D19.txt

10

cache3D4EE43004309A9.gif
cache3D4EE43004409A9.gif
cache3D4EE43004509A9.gif
cache3D4EE43004609A9.gif
cache3D4EE43004709A9.gif
cache3D4EE43004809A9.gif
cache3D4EE43004909A9.gif
cache3D4EE43004A09A9.gif
cache3D4EE43004B09A9.gif
cache3D4EE43004C09A9.gif
cache3D4EE43004D09A9.gif
cache3D4EE43004E09A9.gif
cache3D4EE43004F09A9.gif
cache3D4EE43005009A9.gif
cache3D4EE43005109A9.gif
cache3E03DAD003520A9.gif
cache3E03DAD003620A9.gif
cache3E03DAD003720A9.gif
cache3E03DAD003820A9.gif
cache3E03DAD003920A9
cache3E03DAD003A20A9.gif
cache3E03DAD003B20A9.gif
cache3E03DAD003C20A9.gif
cache3E03DAD003E20A9
cache3E03DAD003F20A9
cache3E4C6B30029025F.js
cache3E4C6B3002A025F.jpg
cache3E4C6B3002B025F.gif
cache3F8247100093D19.css
cache3F82471000A3D19.js
cache3F82475005C3D19.gif
cache3F82475005D3D19.gif
cache3F82475005E3D19.jpg
cache3F82475005F3D19.jpg
cache3F8247500603D19.jpg
cache3F8247500613D19.jpg
cache3F8247500623D19.jpg
cache3F8247500633D19.jpg
cache3F8247500643D19.jpg
cache3F8247500653D19.jpg
cache3F8247500663D19.jpg
cache3F8247500673D19.jpg
cache3F8247500683D19.gif
cache3F8247500693D19.gif
cache3F82475006A3D19.jpg
cache3F82475006B3D19.gif
cache3F82475006C3D19.gif
cache3F82475006D3D19.gif
cache3F82475006E3D19.jpg
cache3F82475006F3D19.jpg
cache3F8247700983D19.gif

11

cache3D4EE37100509A9.gif
cache3D4EE37100609A9.gif
cache3D4EE37100709A9.gif
cache3D4EE37100809A9.gif
cache3D4EE37100B09A9.gif
cache3D4EE37100C09A9.gif
cache3D4EE37100D09A9.gif
cache3D4EE37100E09A9.gif
cache3D4EE37100F09A9.gif
cache3D4EE37101009A9.gif
cache3E03DC1108720A9.jhtml
cache3E03DC1108820A9.gif
cache3F82471100B3D19.js
cache3F82471100C3D19.gif
cache3F82471100D3D19.gif
cache3F82471100E3D19.gif
cache3F82471100F3D19.gif
cache3F8247110103D19.gif
cache3F8247110133D19.gif
cache3F8247110143D19.gif
cache3F8247110153D19.gif
cache3F8247110163D19.gif
cache3F8247110173D19.jpg
cache3F8247110183D19.gif
cache3F8247510703D19.jpg
cache3F8247510713D19.jpg
cache3F8247510723D19.jpg
cache3F8247510733D19.jpg
cache3F8247510743D19.jpg
cache3F8247510753D19.gif
cache3F8247510763D19.gif
cache3F8247510773D19.gif
cache3F8247510783D19.jpg
cache3F8247510793D19.jpg
cache3F82475107A3D19.jpg
cache3F82475107B3D19.jpg
cache3F82475107C3D19.gif
cache3F82475107D3D19.jpg
cache3F82475107E3D19.gif
cache3F82475107F3D19.jpg
cache3F8247510803D19.gif
cache3F8247510813D19.jpg
cache3F82477109A3D19.css
cache3F82477109C3D19.gif
cache3F82477109D3D19.class

12

cache3E03DAF206C20A9.gif
cache3E03DAF206D20A9.gif
cache3E03DAF206E20A9.gif
cache3E03DAF206F20A9.gif
cache3E03DAF207020A9.gif
cache3E03DAF207120A9.gif
cache3E03DAF207220A9.gif
cache3E03DAF207320A9.gif
cache3E03DAF207420A9.gif
cache3E03DAF207520A9.gif
cache3F8247120193D19.gif
cache3F82471201A3D19.gif
cache3F82471201B3D19.gif
cache3F82471201C3D19.gif
cache3F82471201D3D19.gif
cache3F8247120203D19.gif

13

cache3D4EE39301609A9
cache3D4EE67305909A9.htm
cache3D4EE67305B09A9
cache3E03DAB300A20A9.html
cache3E03DAB300B20A9.css
cache3E03DAB300C20A9.gif
cache3E03DAB300D20A9.gif
cache3E03DAB300E20A9.gif
cache3E03DAB300F20A9.gif
cache3E03DAB301020A9.gif
cache3E03DAB301220A9.gif
cache3E03DAB301320A9.gif
cache3E03DAB301420A9.gif
cache3E03DAB301520A9.gif
cache3E03DAB301620A9.gif
cache3E03DAB301720A9.gif
cache3E03DAB301820A9.gif

cache3E03DAF307720A9.gif
cache3E03DAF307820A9.gif
cache3E03DAF307920A9.gif
cache3E03DAF307A20A9.gif
cache3F8247930BD3D19.gif
cache3F8247930BE3D19.gif
cache3F8247930BF3D19.gif

14

cache3D4EE67405C09A9.gif
cache3D4EE67405E09A9.gif
cache3D4EE67405F09A9.gif
cache3D4EE67406009A9.gif
cache3D4EE67406109A9.gif
cache3D4EE67406209A9.gif
cache3D4EE67406309A9.gif
cache3D4EE67406409A9.gif
cache3D4EE67406509A9.gif
cache3D4EE67406609A9.gif
cache3D4EE67406709A9.gif
cache3D4EE67406809A9.gif
cache3D4EE67406909A9.gif
cache3D4EE67406A09A9.gif
cache3D4EE67406B09A9.gif
cache3D4EE67406C09A9.gif
cache3D4EE67406D09A9.gif
cache3D4EE67406E09A9.gif
cache3D4EE67406F09A9.gif
cache3D4EE67407009A9.gif
cache3D4EE67407109A9.gif
cache3D4EE67407209A9.gif
cache3D4EE67407309A9.gif
cache3D4EE67407409A9.gif
cache3D4EE67407509A9.gif
cache3D4EE67407609A9.gif
cache3D4EE67407709A9.gif
cache3D4EE67407809A9.gif

15

cache3D4EE3D501A09A9.css
cache3D4EE3D501B09A9.js

16

cache3D4EE37601209A9.css
cache3D4EE3D601C09A9.css
cache3D4EE3D601D09A9.css
cache3D4EE3D601E09A9.gif
cache3D4EE3D601F09A9.gif
cache3D4EE3D602009A9.gif
cache3D4EE3D602109A9.gif
cache3D4EE3D602309A9.gif
cache3D4EE3D602409A9.gif
cache3D4EE3D602509A9.gif
cache3D4EE3D602609A9.gif
cache3E03DAD604120A9
cache3E03DAD604320A9.gif
cache3E03DAD604420A9.gif
cache3E03DAD604520A9.gif
cache3E03DAD604720A9.rpm
cache3F8247160233D19.gif
cache3F8247160243D19.gif
cache3F8247160253D19.gif
cache3F8247160263D19.gif

17

cache3D4EE37701309A9.gif
cache3D4EE37701409A9.gif
cache3D4EE37701509A9.gif
cache3E03DAD704B20A9
cache3E03DAD704D20A9.gif
cache3E03DAD704F20A9.gif
cache3E03DAD705020A9.gif

18

cache3F8247580823D19.gif
cache3F8247580833D19.gif

19

cache3C259C3910B38C2.js
cache3C259C3910C38C2.js
cache3F8247190273D19.gif
cache3F8247190283D19.gif
cache3F8247590843D19.gif
cache3F8247590853D19.gif
cache3F8247590863D19.gif
cache3F8247590873D19.gif

- cache3F8247590883D19.gif
- cache3F8247590893D19.gif
- cache3F82475908A3D19.gif
- 1A
 - cache3C259C3A10D38C2.js
 - cache3C259C3A10F38C2.js
- 1B/
- 1C
 - cache3E05D2DC00008FA
 - cache3E05D2DC00108FA.css
 - cache3E05D2DC00208FA
 - cache3F82477C09F3D19.css
 - cache3F82477C0A03D19.gif
 - cache3F82477C0A23D19.gif
 - cache3F82477C0A33D19.jpg
 - cache3F82477C0A43D19.jpg
- 1D
 - cache3D4EE35D00009A9.gif
 - cache3D4EE35D00109A9.gif
 - cache3D4EE43D05209A9.gif
 - cache3E05D2DD00308FA.js
 - cache3E05D2DD00408FA.html
 - cache3F82477D0A53D19.gif
 - cache3F82477D0A63D19.gif
 - cache3F82477D0A73D19.gif
 - cache3F82477D0A83D19.gif
 - cache3F82477D0A93D19.jpg
 - cache3F82477D0AA3D19.gif
 - cache3F82477D0AB3D19.gif
 - cache3F82477D0AC3D19.gif
 - cache3F82477D0AD3D19.jpg
 - cache3F82477D0AE3D19.jpg
 - cache3F82477D0AF3D19.gif
 - cache3F82477D0B03D19.gif
 - cache3F82477D0B13D19.gif
 - cache3F82477D0B23D19.gif
 - cache3F82477D0B33D19.gif
 - cache3F82477D0B43D19.gif
 - cache3F82477D0B53D19.gif
 - cache3F82477D0B83D19.gif
- 1E
 - cache3E03DADE05520A9
 - cache3E03DADE05620A9
 - cache3E03DADE05720A9
 - cache3E03DADE05820A9
 - cache3E03DADE05920A9
 - cache3E03DADE05A20A9
 - cache3E03DADE05B20A9.gif
 - cache3E03DADE05C20A9
 - cache3E03DADE05E20A9
 - cache3E03DADE05F20A9
 - cache3E03DADE06020A9
 - cache3E03DADE06120A9
 - cache3E03DADE06220A9
 - cache3E03DADE06320A9
 - cache3E03DADE06420A9
 - cache3F8246FE0013D19.css
- 1F
 - cache3C259CDF13038C2.gif
 - cache3C259CDF13138C2.gif
 - cache3C259CDF13238C2.gif
 - cache3C259CDF13338C2.gif
 - cache3C259CDF13438C2.gif
 - cache3C259CDF13538C2.gif
 - cache3C259CDF13638C2.gif
 - cache3C259CDF13738C2.gif
 - cache3C259CDF13838C2.gif
 - cache3F8246FF0053D19.gif
 - cache3F8246FF0063D19.gif
 - cache3F8246FF0073D19.gif
- index.db
- cert7.db
- cookies
- history.dat
- history.list
- key3.db
- liprefs.js
- nswrapper.copy_defs
- plugin-list
- plugin-list.BAK

- plugins
 - flashplayer.xpt
 - libflashplayer.so
- preferences.js
- registry
- secmodule.db
- xover-cache
 - host-news
 - hostinfo.dat

- .opera

- Beanstalk.Standard

- acpo

- acpo1.bin
- acpo2.bin
- acpo3.bin
- acpo4.bin
- acpo5.bin
- acpo6.bin
- acpo7.bin
- acpo8.bin
- acpo9.bin

- adprefs.ini

- cache4

- dcache4.url
- opr00OE1.gif
- opr00OH8.gif
- opr00OH9.gif
- opr00OHA.gif
- opr00OHB.gif
- opr00OHC.gif
- opr00OHE.gif
- opr00OHG.js
- opr00OHH.gif
- opr00OHI.gif
- opr00OHL.txt
- opr00OHM.gif
- opr00OHN.gif
- opr00OHT.gif
- opr00OIB.gif
- opr00OID.gif
- opr00OJL.swf
- opr00OJM.swf
- opr00OJN.gif
- opr00OJO.gif
- opr00OJP.gif
- opr00OJR.gif
- opr00OJS.gif
- opr00OJT.gif
- opr00OJU.gif
- opr00OJY.gif
- opr00OJZ.gif
- opr00OK0.gif
- opr00OK1.gif
- opr00OUY.htm
- opr00OV7.gif
- opr00OV8.ico
- opr00OVE.css
- opr00OWP.htm
- opr00OYU.htm
- opr00POS.js
- opr00POT.gif
- opr00POV.gif
- opr00POW.js
- opr00POX.gif
- opr00POY.gif
- opr00P11.swf
- opr00P12.swf
- opr00P13.gif
- opr00P14.js
- opr00P15.gif
- opr00P16.gif
- opr00P17.gif
- opr00P18.gif
- opr00P19.gif
- opr00P1A.gif
- opr00P1B.gif
- opr00P1C.gif
- opr00P1D.gif
- opr00P1E.gif
- opr00P1F.css

- opr00P1G.gif
- opr00P1H.htm
- opr00P1I.gif
- opr00P1J.gif
- opr00P1K.gif
- opr00P1L.gif
- opr00P1M.gif
- opr00P1N.gif
- opr00P1O.gif
- opr00P1P.gif
- opr00P1Q.htm
- opr00P1R.jpe
- opr00P1S.gif
- opr00P1T.js
- opr00P1U.gif
- opr00P1V.gif
- opr00P1W.gif
- opr00P1X.gif
- opr00P1Y.gif
- opr00P1Z.gif
- opr00P20.gif
- opr00P21.gif
- opr00P22.gif
- opr00P23.gif
- opr00P24.js
- opr00P25.gif
- opr00P26.gif
- opr00P27.gif
- opr00P28.gif
- opr00P29.gif
- opr00P2A.gif
- opr00P2B.gif
- opr00P2C.gif
- opr00P2D.gif
- opr00P2E.gif
- opr00P2F.gif
- opr00P2G.gif
- opr00P2H.gif
- opr00P2I.gif
- opr00P2J.gif
- opr00P2K.gif
- opr00P2L.gif
- opr00P2M.gif
- opr00P2N.gif
- opr00P2O.gif
- opr00P2P.gif
- opr00P2Q.gif
- opr00P2R.gif
- opr00P2S.gif
- opr00P2T.gif
- opr00P2U.gif
- opr00P2V.swf
- opr00P2W.htm
- opr00P2X.txt
- opr00P2Y.txt
- opr00P2Z.htm
- opr00P30.htm
- cookies4.dat
- download
 - PLXproject2pres.pdf
- download.dat
- global.dat
- ini/
- jswarn.dir
- keyboard/
- mail
 - cache/
 - index/
 - index.ini
 - msgidcache.dat
 - storage/
- menu/
- mouse/
- notes.adr
- notes.adr.bak
- opcacrt6.dat
- opcert6.dat
- opera.dir
- opera.reg
- opera6.adr

- opera6.adr.bak
- opera6.ini
- oprand.dat
- opssl6.dat
- search.ini
- sessions
 - autosave.win
- skin/
 - toolbar
 - standard_toolbar (1).ini
- urlwarn.dir
- userstyle.ini
- vlink4.dat
- wand.dat
- .pi
- .pinerc
- .plan
- .project
- .project~
- .qt/
 - quicklogout
- .sane
 - xsane/
- .saves-10140-karelian.ee.princeton.edu~
- .sawfish
 - custom
 - sessions
 - a030ev048n-1180703072000101588779800000016680002
 - a04c8nudtp-1180703072000101588779800000016680002
 - a04cu5wsqe-1180703072000101594096500000047560002
 - a04czj9xlx-1180703072000101594096500000047560002
 - a0fo2iak62-1180703072000101682742000000245780002
 - a0foae3iys-1180703072000101682742000000245780002
 - a0funlpz7f-1180703072000101684175600000250390002
 - a0fwcft712-1180703072000101684175600000250390002
 - a0qrbuo8e4-1180703072000101769652100000034430002
 - a0qs58ofly-1180703072000101769652100000034430002
 - a0suc7tb5c-1180703072000101785980200000093660002
 - a0sw3a9bvo-1180703072000101785980200000093660002
 - a1eypqfo08-1180703072000101959333800000231300002
 - a1f0eyejen-1180703072000101959333800000231300002
 - a3zjz7fb-11807031de000102684796400000144070002
 - a3zjh7mbf2-11807031de000102684796400000144070002
 - a475tll6gs-11807031e0000102744522500000195410002
 - a47bahls4h-11807031de000102745713100000322060002
 - a47blg831d-11807031de000102745713100000322060002
 - a47bpzyof9-11807031e0000102745806800000011100002
 - a48va35k3m-11807031e0000102745806800000011100002
 - a48vapg71q-11807031e0000102757904300000049360002
 - a4dzfkpmba-11807031e0000102797986600000195980002
 - a4hi4828gn-11807031e0000102797986600000195980002
 - a4i8heovbx-11807031e0000102831302400000017630002
 - a4ilf21oks-11807031e0000102834118000000011380002
 - a4ip7vabw9-11807031e0000102834118000000011380002
 - a4jgzbk12-11807031e0000102840895900000011050002
 - a4jlqe36wi-11807031e0000102840895900000011050002
 - a4jon3i2zh-11807031e0000102842656100000011100002
 - a4klciltuc-11807031e0000102842656100000011100002
 - a4llys8rjb-11807031e0000102857093500000018480002
 - a4lvvaq61p-11807031e0000102857093500000018480002
 - a4lxoymm11-11807031e0000102860299300000011090002
 - a4s9kfmkzx-11807031e0000102860299300000011090002
 - a4ski9hu83-11807031de000102912283900000192570002
 - a4skk3wwsm-11807031de000102912283900000192570002
 - a4skwxoyx2-11807031de000102912372600000195500002
 - a4skytpi5w-11807031de000102912372600000195500002
 - a4sl5l1qgw-1180703173000102912425000000088060002
 - a4sliqvig6-1180703173000102912425000000088060002
 - a4slmdub9e-1180703173000102912526600000093470002
 - a4sn6ews46-11807031de000102912865300000198650002
 - a4snh71iyh-11807031de000102912865300000198650002
 - a4vkvph9d5v-11807031e0000102935836700000019480002
 - a4wwwcqe52v-11807031e0000102935836700000019480002
 - a4xpz2g1s0-11807031e0000102952656000000016210002
 - a51exigc7d-11807031e0000102952656000000016210002
 - a51ncqa9i4-11807031e0000102983431200000014260002
 - a52482qtg9-11807031e0000102983431200000014260002
 - a52agc5kg6-11807031e0000102988459600000011180002
 - a52insjl6w-11807031e0000102988459600000011180002
 - a539b99cj1-11807031e0000102996047600000016650002

a54enbo8eu-11807031e0000102996047600000016650002
a54nrnb0701-11807031e0000103007028600000012060002
a54nzi5fxi-11807031e0000103007028600000012060002
a556uh2ak7-11807031e0000103011183600000018930002
a55anrdnzi-11807031e0000103011183600000018930002
a55ao2z5r3-11807031e0000103012015700000032830002
a56v3po1vy-11807031e0000103012015700000032830002
a5897v1rz3-11807031e0000103012015700000032830002
a58hwxh0mo-11807031e0000103012015700000032830002
a597bbvp46-11807031e0000103012015700000032830002
a59n3bxep-11807031e0000103012015700000032830002
a5gud3re3k-11807031e0000103012015700000032830002
a5jxcasvjp-11807031e0000103012015700000032830002
a5jzmmh1c3-11807031e0000103012015700000032830002
a5k0za9pds-11807031e0000103012015700000032830002
a5m7pogt3m-11807031e0000103012015700000032830002
a5om4bbm4r-11807031e0000103012015700000032830002
a5r5yjo9fc-11807031e0000103012015700000032830002
a5wecwlc0o-11807031e0000103012015700000032830002
a5y740i6mq-11807031e0000103012015700000032830002
a61nmfo2oq-11807031e0000103012015700000032830002
a61sobxsss-11807031e0000103012015700000032830002
a65kvuhir7-11807031e0000103012015700000032830002
a65r9rygnu-11807031e0000103012015700000032830002
a66n5f6sf4-11807031e0000103012015700000032830002
a6768ujyeb-11807031e0000103012015700000032830002
a6gr4uygeb-11807031e0000103012015700000032830002
a6kca10hug-11807031e0000103012015700000032830002
a6kjjf311-11807031e0000103012015700000032830002
a6l9m0bkb3-11807031e0000103012015700000032830002
a6nhlt06l2-11807031e0000103012015700000032830002
a6ti3so42g-11807031e0000103012015700000032830002
a6tikrmhx2h-11807031e0000103012015700000032830002
a71bu7oqi0-11807031e0000103012015700000032830002
a7e0be4rxh-11807031e0000103012015700000032830002
a7e6oij789-11807031e0000103012015700000032830002
a7gcy1dpwc-11807031e0000103012015700000032830002
a7h9cxryxa-11807031e0000103012015700000032830002
a7jdkwftsh-11807031e0000103012015700000032830002
a7p1wb0wgi-11807031e0000103012015700000032830002
a7q02b2fm0-11807031e0000103012015700000032830002
a7xb1s9d81-11807031e0000103012015700000032830002
a7z4jcfplm-11807031e0000103012015700000032830002
a81rwlbdz2-11807031e0000103012015700000032830002
a85gk0gfv-11807031e0000103012015700000032830002
a89kiqc9te-11807031e0000103012015700000032830002
a8owhtqkpi-11807031e0000103012015700000032830002
a8t675a92j-11807031e0000103012015700000032830002
a8ugn85ksy-11807031e0000103012015700000032830002
a9t7uly3s9-11807031e0000103012015700000032830002
aaebn0xffw-11807031e0000103012015700000032830002
aafbftk7gr-11807031e0000103012015700000032830002
aafcdkwcck-11807031e0000103012015700000032830002
aafcr5vdd1-11807031e0000103012015700000032830002
aafd1elrlr-11807031e0000103012015700000032830002
aajvj88as-11807031e0000104501496600000011240020
aax5koubrs-11807031e0000104501496600000011240020
ab4pk19dc1-11807031e0000104501496600000011240020
ab766v5t4q-11807031e0000104501496600000011240020
ab80u2t23z-11807031e0000104501496600000011240020
abcnknkj931-11807031e0000104501496600000011240020
abd5949rjt-11807031e0000104501496600000011240020
abd7uudn1c-11807031e0000104501496600000011240020
ablx1u4xrz-11807031e0000104501496600000011240020
abt3nuqpba-11807031e0000104501496600000011240020
ac08lfgxrm-11807031e0000104501496600000011240020
ach7r1y32o-11807031e0000104501496600000011240020
acwruprhal-11807031e0000104501496600000011240020
acyjxn01a-11807031e0000104501496600000011240020
ad02lb0ld6-11807031e0000104501496600000011240020
ad69tzc3gc-11807031e0000104501496600000011240020
adgl0ra24l-11807031e0000104501496600000011240020
adml3tt0ux-11807031e0000104501496600000011240020
admmsxommh-11807031e0000104501496600000011240020
ae0099vyeg-11807031e0000104501496600000011240020
ae96ms6q6w-11807031e0000104501496600000011240020
aesoh5lv0r-11807031e0000104501496600000011240020
ah0brr63oe-11807031e0000104501496600000011240020
ah4yth6bc0-11807031e0000104501496600000011240020
ahk0zwhfnl-11807031e0000104501496600000011240020

```

ahqght7jf9-11807031e0000106563180700000027710006
ahqgmpx6e9-11807031e0000104501496600000011240020
ahago03iy9-11807031e0000104501496600000011240020
ahqh52eylo-11807031e0000106563321400000196840012
ainneoh8d3-11807031e0000106563321400000196840012
airaadukis-11807031e0000104501496600000011240020
aiw8oozcag-11807031e0000104501496600000011240020
aizkisog2t-11807031e0000104501496600000011240020
aj4gchiyi8-11807031e0000104501496600000011240020
window-history
.screenrc
.signature
.ssh
  known_hosts
  known_hosts2
.ssh2
  hostkeys
    key_22_arizona.pub
    key_22_esterhazy.pub
    key_22_inverness.pub
    key_22_parapet.pub
    key_22_scintilla.pub
    key_22_yuma.pub
  random_seed
.tcshrc
.twmf9eKqS
.twmferOxi
.ucall
.viminfo
.vnc
  esterhazy.ee.Princeton.EDU:1.log
  esterhazy.ee.Princeton.EDU:2.log
  karelian.ee.princeton.edu:1.log
  passwd
  viable.ee.Princeton.EDU:1.log
  viable.ee.Princeton.EDU:2.log
  viable.ee.Princeton.EDU:2.pid
  xstartup
.weblink
.wm_style
.xauth
  refcount
    ele375
    esterhazy/
    root
      amoeba.ee.princeton.edu/
      amoeba.ee.princeton.edu:10
      amoeba.ee.princeton.edu:11
      esterhazy/
      esterhazy.ee.Princeton.EDU/
      esterhazy.ee.princeton.edu/
      karelian.ee.princeton.edu/
      karelian.ee.princeton.edu:11
      matrix.ee.princeton.edu/
      viable.ee.Princeton.EDU/
.xftcache
.xmms
  Plugins/
  Skins/
  config
  menurc
  xmms.m3u
.xscreensaver
.xsession-errors
30920.zip
AY0304-F03-drafft4.pdf
Book3.xls
C
  ARMsimulator
    add32.bin
    add32.regdump
    add32.s
    makefile
    sim
    sim.c
  BAK_march01
    ARMsimulator
      add32.bin
      add32.regdump
      add32.s

```



```

makefile
sim
sim.c
GTK
helloWorld_GTK.c
LKMs
BAK
  DefineEvents.c
  JAN25_safeBAK
    LKM_CPUinfo.c
    LKM_CPUinfo.o
    LKM_NEWsyscall.c
    LKM_NEWsyscall.o
    LKM_print_a_lot.c
    LKM_print_a_lot.o
    SyscallEx.c
    SyscallEx.o
    UserLevel_CPUinfo
    UserLevel_CPUinfo.c
    UserLevel_NEWsyscall
    UserLevel_NEWsyscall.c
    UserLevel_SyscallEx
    UserLevel_SyscallEx.c
    UserLevel_myLKM
    UserLevel_myLKM.c
    exit_syscall.c
    exit_syscall.o
    getcpuinfo
    getcpuinfo.c
    hello_kernel.c
    hello_kernel.o
    myLKM.c
    myLKM.o
    new_exit_syscall.c
    new_exit_syscall.o
    old_exit_syscall.o
    print_to_nonconsole.c
    print_to_nonconsole.o
    printalot
  JAN29_safeBAK
    DefineEvents.c
    LKM_2.c
    LKM_CPUinfo.c
    LKM_CPUinfo.o
    LKM_NEWsyscall.c
    LKM_NEWsyscall.o
    LKM_PerformanceReader.c
    LKM_print_a_lot.c
    LKM_print_a_lot.o
    SyscallEx.c
    SyscallEx.o
    UserLevel_2.c
    UserLevel_2.h
    UserLevel_CPUinfo
    UserLevel_CPUinfo.c
    UserLevel_NEWsyscall
    UserLevel_NEWsyscall.c
    UserLevel_PerformanceReader.c
    UserLevel_PerformanceReader.h
    UserLevel_SyscallEx
    UserLevel_SyscallEx.c
    UserLevel_myLKM
    UserLevel_myLKM.c
    exit_syscall.c
    exit_syscall.o
    getcpuinfo
    getcpuinfo.c
    hello_kernel.c
    hello_kernel.o
    myLKM.c
    myLKM.o
    new_exit_syscall.c
    new_exit_syscall.o
    old_exit_syscall.o
    print_to_nonconsole.c
    print_to_nonconsole.o
    printalot
  L1Dcache_DefineEvents.c
  L1Dcache_exercise
  L1Dcache_exercise.c

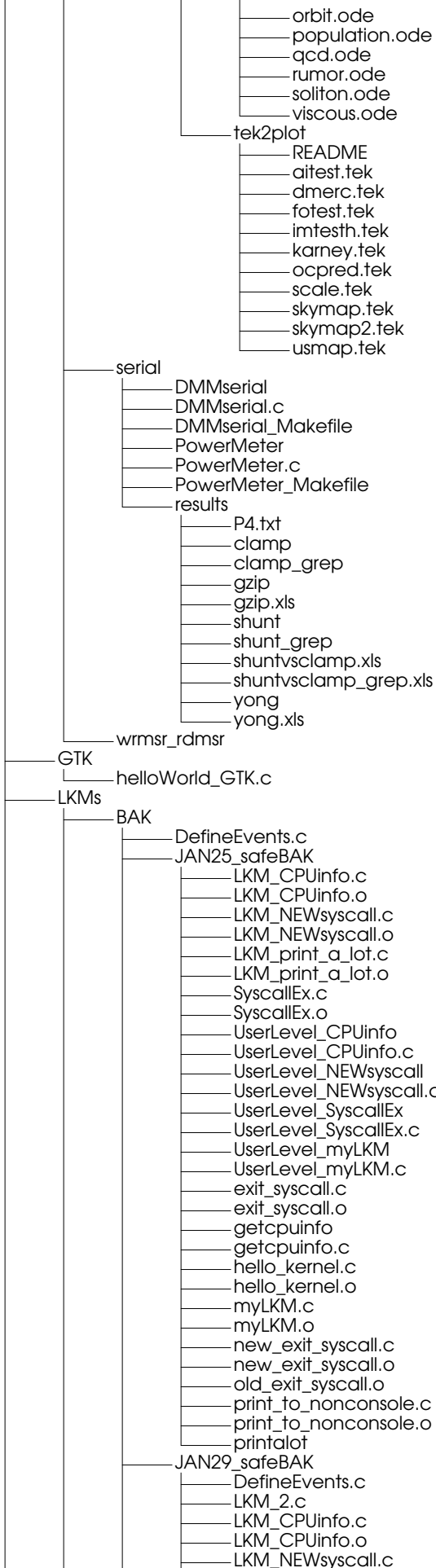
```

- L1Dcache_exercise.s
- L1Dcache_results.gnumeric
- LKM_2.c
- LKM_CPUinfo.c
- LKM_CPUinfo.o
- LKM_NEWsyscall.c
- LKM_NEWsyscall.o
- LKM_PerformanceReader.c
- LKM_PerformanceReader.o
- LKM_print_a_lot.c
- LKM_print_a_lot.o
- SyscallEx.c
- SyscallEx.o
- UserLevel_2.c
- UserLevel_2.h
- UserLevel_CPUinfo
- UserLevel_CPUinfo.c
- UserLevel_NEWsyscall
- UserLevel_NEWsyscall.c
- UserLevel_PerformanceReader.c
- UserLevel_PerformanceReader.h
- UserLevel_SyscallEx
- UserLevel_SyscallEx.c
- UserLevel_myLKM
- UserLevel_myLKM.c
- exit_syscall.c
- exit_syscall.o
- getcpuinfo
- getcpuinfo.c
- hello_kernel.c
- hello_kernel.o
- myLKM.c
- myLKM.o
- new_exit_syscall.c
- new_exit_syscall.o
- old_exit_syscall.o
- print_to_nonconsole.c
- print_to_nonconsole.o
- printalot
- LKM_CPUinfo.c
- LKM_CPUinfo.o
- LKM_NEWsyscall.c
- LKM_NEWsyscall.o
- LKM_PerformanceReader.c
- LKM_PerformanceReader.o
- PerformanceReaderIncludes
 - BAK_UserLevel_PerformanceReader.h
 - DefineEvents.c
 - L1Dcache_DefineEvents.c
 - UserLevel_PerformanceReader.h
 - branch_DefineEvents.c
 - tester2_DefineEvents.c
 - tester_DefineEvents.c
- PowerMaker.c
- UserLevel_CPUinfo
- UserLevel_CPUinfo.c
- UserLevel_NEWsyscall
- UserLevel_NEWsyscall.c
- UserLevel_PerformanceReader
- UserLevel_PerformanceReader.c
- new_exit_syscall.c
- new_exit_syscall.o
- old_exit_syscall.o
- print_to_nonconsole.c
- print_to_nonconsole.o
- all-files.tar.gz
- benches
 - L1Dcache_exercise
 - L1Dcache_exercise.c
 - L1Dcache_exercise.s
 - L1Dcache_results.gnumeric
 - branch_exercise
 - branch_exercise.c
 - branch_exercise.s
 - branch_results.gnumeric
 - counter_tester
 - counter_tester.c
 - counter_tester2
 - counter_tester2.c
 - fast

```

fast.c
myjunk
  event.h
  fast
  fast.c
  longprog
  longprog.c
  mythread.c
  mythread.o
  phoneword
  phoneword.c
  printascii
  printascii.c
  probe-server.c
  probe-server.preprocessor
  sigma_Si
  sigma_Si.c
  simple
  simple.c
  simple_static
  writeseial.c
plotting
  ascii_data_file
  plotter_graph-Cinterface
    plot
    plot.c
    plot.h
    plot_ex1.c
    plot_ex2.c
    sil.gif
plotutils
  bin
    double
    graph
    ode
    plot
    plotfont
    spline
    tek2plot
  include
    plot.h
    plotcompat.h
  info
    plotutils.info
  lib
    libplot.a
    libplot.la
    libplot.so -> libplot.so.2.2.1
    libplot.so.2 -> libplot.so.2.2.1
    libplot.so.2.2.1
  man
    man1
      ode.1
      plot.1
      plotfont.1
      spline.1
      tek2plot.1
  share
    libplot
      README
      colors.txt
      demo-page
      h-demo.c
      h-fonts.doc
      h-glyphs.doc
      hershey.bib
      kana.doc
      kanji.doc
    ode
      README
      atwoods.ode
      bead.ode
      chem.ode
      coupled.ode
      ddho.ode
      dynamo.ode
      henon.ode
      limitcycle.ode
      lorenz.ode
      lunar.sh

```



```

____LKM_NEWsyscall.o
____LKM_PerformanceReader.c
____LKM_print_a_lot.c
____LKM_print_a_lot.o
____SyscallEx.c
____SyscallEx.o
____UserLevel_2.c
____UserLevel_2.h
____UserLevel_CPUinfo
____UserLevel_CPUinfo.c
____UserLevel_NEWsyscall
____UserLevel_NEWsyscall.c
____UserLevel_PerformanceReader.c
____UserLevel_PerformanceReader.h
____UserLevel_SyscallEx
____UserLevel_SyscallEx.c
____UserLevel_myLKM
____UserLevel_myLKM.c
____exit_syscall.c
____exit_syscall.o
____getcpuinfo
____getcpuinfo.c
____hello_kernel.c
____hello_kernel.o
____myLKM.c
____myLKM.o
____new_exit_syscall.c
____new_exit_syscall.o
____old_exit_syscall.o
____print_to_nonconsole.c
____print_to_nonconsole.o
____printalot
____L1Dcache_DefineEvents.c
____L1Dcache_exercise
____L1Dcache_exercise.c
____L1Dcache_exercise.s
____L1Dcache_results.gnumeric
____LKM_2.c
____LKM_CPUinfo.c
____LKM_CPUinfo.o
____LKM_NEWsyscall.c
____LKM_NEWsyscall.o
____LKM_PCsampler.c
____LKM_PCsampler.o
____LKM_PCsamplerold.o
____LKM_PerformanceReader.c
____LKM_PerformanceReader.o
____LKM_print_a_lot.c
____LKM_print_a_lot.o
____SyscallEx.c
____SyscallEx.o
____UserLevel_2.c
____UserLevel_2.h
____UserLevel_CPUinfo
____UserLevel_CPUinfo.c
____UserLevel_NEWsyscall
____UserLevel_NEWsyscall.c
____UserLevel_PerformanceReader.c
____UserLevel_PerformanceReader.h
____UserLevel_SyscallEx
____UserLevel_SyscallEx.c
____UserLevel_myLKM
____UserLevel_myLKM.c
____exit_syscall.c
____exit_syscall.o
____getcpuinfo
____getcpuinfo.c
____hello_kernel.c
____hello_kernel.o
____myLKM.c
____myLKM.o
____new_exit_syscall.c
____new_exit_syscall.o
____old_exit_syscall.o
____print_to_nonconsole.c
____print_to_nonconsole.o
____printalot
____BAK_PowerMaker.c
____LKM_CPUinfo.c
____LKM_CPUinfo.o

```

- LKM_NEWsyscall.c
- LKM_NEWsyscall.o
- LKM_PC sampler.c
- LKM_PC sampler.o
- LKM_PC samplerold.o
- LKM_PerformanceReader.c
- LKM_PerformanceReader.o
- Makefile_PowerServer
- Makefile_PowerServer.BAK
- PC_gzip_dataset1
- PC_gzip_dataset1.xls
- PerformanceReaderIncludes
 - BAK_UserLevel_PerformanceReader.h
 - DefineEvents.c
 - L1Dcache_DefineEvents.c
 - PowerMaker_DefineEvents.c
 - PowerMaker_DefineEvents.c.BAK
 - PowerServer_DefineEvents.c
 - UPC_DefineEvents.c
 - UserLevel_PerformanceReader.h
 - branch_DefineEvents.c
 - sil.c
 - sil_DefineEvents.c
 - tester2_DefineEvents.c
 - tester_DefineEvents.c
- PowerMaker
- PowerMaker.c
- PowerServer
- PowerServer.c
- PowerServer.c.BAK
- UserLevel_CPUinfo
- UserLevel_CPUinfo.c
- UserLevel_NEWsyscall
- UserLevel_NEWsyscall.c
- UserLevel_PC sampler
- UserLevel_PC sampler.c
- UserLevel_PerformanceReader
- UserLevel_PerformanceReader.c
- new_exit_syscall.c
- new_exit_syscall.o
- old_exit_syscall.o
- print_to_nonconsole.c
- print_to_nonconsole.o
- sil
- sil.c
- sildata
- sill
- Phases
 - OOBBAK
 - ArtPhasesThresholdv2
 - ArtPhasesThresholdv2.c
 - ArtPhasesThresholdv2_BATCHMODE
 - ArtPhasesThresholdv2_BATCHMODE.c
 - ArtPhasesThresholdv2_BATCHMODE_Makefile
 - ArtPhasesThresholdv2_Makefile
 - ArtSimilarityMatrixALL
 - ArtSimilarityMatrixALL.c
 - ArtSimilarityMatrixALL_Makefile
 - ArtSimilarityMatrixALL_dynamic
 - ArtSimilarityMatrixALL_dynamic.c
 - ArtSimilarityMatrixALL_dynamic_Makefile
 - ArtSimilarityMatrixALL_dynamic_NOZOOM.c
 - art
 - *.eps
 - ArtPhasesThresholdv2
 - ArtPhasesThresholdv2.c
 - ArtPhasesThresholdv2_BATCHMODE
 - ArtPhasesThresholdv2_BATCHMODE.c
 - ArtPhasesThresholdv2_BATCHMODE_Makefile
 - ArtPhasesThresholdv2_Makefile
 - ArtSimilarityMatrixALL
 - ArtSimilarityMatrixALL.c
 - ArtSimilarityMatrixALL_Makefile
 - ArtSimilarityMatrixALL_dynamic
 - ArtSimilarityMatrixALL_dynamic.c
 - ArtSimilarityMatrixALL_dynamic_Makefile
 - ArtSimilarityMatrixALL_dynamic_NOZOOM.c
 - Art_expoints_v2.txt
 - Art_group_histo.txt
 - Art_power_phase_v2.txt

- Art_reconstructed_reconstructed_v2.eps
- Art_reconstructed_reconstructed_v2.jgr
- Art_reconstructed_v2.txt
- Art_representative_vectors_v2.txt
- OLD
 - ArtPhasesThresholdv2
 - ArtPhasesThresholdv2.c
 - ArtPhasesThresholdv2_Makefile
 - Art_expoints_v2.txt
 - Art_group_histo.txt
 - Art_power_phase_v2.txt
 - Art_reconstructed_v2.txt
 - Art_representative_vectors_v2.txt
 - artlog_long.c
- artlog.c
- artlog_long.c
- plotter.pnm
- bzip2
 - *.eps
 - Bzip2PhasesThresholdv2_BATCHMODE
 - Bzip2PhasesThresholdv2_BATCHMODE.c
 - Bzip2PhasesThresholdv2_BATCHMODE_Makefile
 - Bzip2SimilarityMatrixALL
 - Bzip2SimilarityMatrixALL.c
 - Bzip2SimilarityMatrixALL_Makefile
 - bzip2log.c
- crafty
 - *.eps
 - CraftyPhasesThresholdv2_BATCHMODE
 - CraftyPhasesThresholdv2_BATCHMODE.c
 - CraftyPhasesThresholdv2_BATCHMODE_Makefile
 - CraftySimilarityMatrixALL
 - CraftySimilarityMatrixALL.c
 - CraftySimilarityMatrixALL_Makefile
 - craftylog.c
- equake
 - *.eps
 - EquakePhasesThresholdv2_BATCHMODE
 - EquakePhasesThresholdv2_BATCHMODE.c
 - EquakePhasesThresholdv2_BATCHMODE_Makefile
 - EquakeSimilarityMatrixALL
 - EquakeSimilarityMatrixALL.c
 - EquakeSimilarityMatrixALL_Makefile
 - equakelog.c
- gap
 - *.eps
 - GapPhasesThresholdv2_BATCHMODE
 - GapPhasesThresholdv2_BATCHMODE.c
 - GapPhasesThresholdv2_BATCHMODE_Makefile
 - GapSimilarityMatrixALL
 - GapSimilarityMatrixALL.c
 - GapSimilarityMatrixALL_Makefile
 - gaplog.c
- gcc
 - *.eps
 - GccPhasesThresholdv2_BATCHMODE
 - GccPhasesThresholdv2_BATCHMODE.c
 - GccPhasesThresholdv2_BATCHMODE_Makefile
 - GccSimilarityMatrix
 - GccSimilarityMatrix.c
 - GccSimilarityMatrixALL
 - GccSimilarityMatrixALL.c
 - GccSimilarityMatrixALL_Makefile
 - GccSimilarityMatrix_Makefile
 - GzipSimilarityMatrixTOTAL
 - GzipSimilarityMatrixTOTAL.c
 - GzipSimilarityMatrixTOTAL_Makefile
 - gcclog.c
- gzip
 - *.eps
 - GzipPhasesThreshold
 - GzipPhasesThreshold.c
 - GzipPhasesThreshold_Makefile
 - GzipPhasesThresholdv2
 - GzipPhasesThresholdv2.c
 - GzipPhasesThresholdv2.c.BAK
 - GzipPhasesThresholdv2.c.BAK14.11.2003
 - GzipPhasesThresholdv2_BATCHMODE
 - GzipPhasesThresholdv2_BATCHMODE.c
 - GzipPhasesThresholdv2_BATCHMODE_Makefile

- GzipPhasesThresholdv2_Makefile
- GzipSimilarityMatrix
- GzipSimilarityMatrix.c
- GzipSimilarityMatrixALL
- GzipSimilarityMatrixALL.c
- GzipSimilarityMatrixALL_Makefile
- GzipSimilarityMatrixTOTAL
- GzipSimilarityMatrixTOTAL.c
- GzipSimilarityMatrixTOTAL_Makefile
- GzipSimilarityMatrix_Makefile
- Gzip_expoints_v2.txt
- Gzip_group_histo.txt
- Gzip_power_phase_v2.txt
- Gzip_reconstructed_reconstructed_v2.eps
- Gzip_reconstructed_reconstructed_v2.jgr
- Gzip_reconstructed_v2.txt
- Gzip_representative_vectors_v2.txt
- OLD
 - GzipPhasesThresholdv2
 - GzipPhasesThresholdv2.c
 - GzipPhasesThresholdv2_Makefile
 - gziplog.c
 - power_phase.txt
 - power_phase_v2.txt
 - reconstructed.txt
 - reconstructed_v2.txt
 - representative_vectors_v2.txt
- gziplog.c
- mesa
 - *.eps
 - MesaPhasesThresholdv2_BATCHMODE
 - MesaPhasesThresholdv2_BATCHMODE.c
 - MesaPhasesThresholdv2_BATCHMODE_Makefile
 - MesaSimilarityMatrixALL
 - MesaSimilarityMatrixALL.c
 - MesaSimilarityMatrixALL_Makefile
 - MesaSimilarityMatrixALL_dynamic
 - MesaSimilarityMatrixALL_dynamic.c
 - MesaSimilarityMatrixALL_dynamic_Makefile
 - mesalog.c
 - mesalog_long.c
- parser
 - *.eps
 - ParserPhasesThresholdv2_BATCHMODE
 - ParserPhasesThresholdv2_BATCHMODE.c
 - ParserPhasesThresholdv2_BATCHMODE_Makefile
 - ParserSimilarityMatrixALL
 - ParserSimilarityMatrixALL.c
 - ParserSimilarityMatrixALL_Makefile
 - parserlog.c
- phase_results
 - ALL_errors.pdf
 - ALL_errors.xls
 - Art
 - .jgr
 - 2003_10_16_040858_shot.jpg
 - Art.gnumeric
 - Art_DATA
 - Art_phase_groupsv2_000.1.gif
 - Art_phase_groupsv2_001.0.gif
 - Art_phase_groupsv2_002.0.gif
 - Art_phase_groupsv2_003.0.gif
 - Art_phase_groupsv2_004.0.gif
 - Art_phase_groupsv2_005.0.gif
 - Art_phase_groupsv2_006.0.gif
 - Art_phase_groupsv2_007.0.gif
 - Art_phase_groupsv2_008.0.gif
 - Art_phase_groupsv2_009.0.gif
 - Art_phase_groupsv2_010.0.gif
 - Art_phase_groupsv2_020.0.gif
 - Art_phase_groupsv2_030.0.gif
 - Art_phase_groupsv2_050.0.gif
 - Art_phase_groupsv2_070.0.gif
 - Art_phase_groupsv2_100.0.gif
 - Art_threshold-000.1_expoints_v2.txt
 - Art_threshold-000.1_group_histo.txt
 - Art_threshold-000.1_power_phase_v2.txt
 - Art_threshold-000.1_reconstructed_v2.eps
 - Art_threshold-000.1_reconstructed_v2.jgr
 - Art_threshold-000.1_reconstructed_v2.txt

Art_threshold-030.0_power_phase_v2.txt
Art_threshold-030.0_reconstructed_v2.eps
Art_threshold-030.0_reconstructed_v2.jgr
Art_threshold-030.0_reconstructed_v2.txt
Art_threshold-030.0_representative_vectors_v2.txt
Art_threshold-050.0_expoints_v2.txt
Art_threshold-050.0_group_histo.txt
Art_threshold-050.0_power_phase_v2.txt
Art_threshold-050.0_reconstructed_v2.eps
Art_threshold-050.0_reconstructed_v2.jgr
Art_threshold-050.0_reconstructed_v2.txt
Art_threshold-050.0_representative_vectors_v2.txt
Art_threshold-070.0_expoints_v2.txt
Art_threshold-070.0_group_histo.txt
Art_threshold-070.0_power_phase_v2.txt
Art_threshold-070.0_reconstructed_v2.eps
Art_threshold-070.0_reconstructed_v2.jgr
Art_threshold-070.0_reconstructed_v2.txt
Art_threshold-070.0_representative_vectors_v2.txt
Art_threshold-100.0_expoints_v2.txt
Art_threshold-100.0_group_histo.txt
Art_threshold-100.0_power_phase_v2.txt
Art_threshold-100.0_reconstructed_v2.eps
Art_threshold-100.0_reconstructed_v2.jgr
Art_threshold-100.0_reconstructed_v2.txt
Art_threshold-100.0_representative_vectors_v2.txt
sil.eps

Bzip2

Bzip2_DATA
Bzip2_phase_groupsv2_000.1.gif
Bzip2_phase_groupsv2_001.0.gif
Bzip2_phase_groupsv2_002.0.gif
Bzip2_phase_groupsv2_003.0.gif
Bzip2_phase_groupsv2_004.0.gif
Bzip2_phase_groupsv2_005.0.gif
Bzip2_phase_groupsv2_006.0.gif
Bzip2_phase_groupsv2_007.0.gif
Bzip2_phase_groupsv2_008.0.gif
Bzip2_phase_groupsv2_009.0.gif
Bzip2_phase_groupsv2_010.0.gif
Bzip2_phase_groupsv2_020.0.gif
Bzip2_phase_groupsv2_030.0.gif
Bzip2_phase_groupsv2_050.0.gif
Bzip2_phase_groupsv2_070.0.gif
Bzip2_phase_groupsv2_100.0.gif
Bzip2_threshold-000.1_expoints_v2.txt
Bzip2_threshold-000.1_group_histo.txt
Bzip2_threshold-000.1_power_phase_v2.txt
Bzip2_threshold-000.1_reconstructed_v2.eps
Bzip2_threshold-000.1_reconstructed_v2.jgr
Bzip2_threshold-000.1_reconstructed_v2.txt
Bzip2_threshold-000.1_representative_vectors_v2.txt
Bzip2_threshold-001.0_expoints_v2.txt
Bzip2_threshold-001.0_group_histo.txt
Bzip2_threshold-001.0_power_phase_v2.txt
Bzip2_threshold-001.0_reconstructed_v2.eps
Bzip2_threshold-001.0_reconstructed_v2.jgr
Bzip2_threshold-001.0_reconstructed_v2.txt
Bzip2_threshold-001.0_representative_vectors_v2.txt
Bzip2_threshold-002.0_expoints_v2.txt
Bzip2_threshold-002.0_group_histo.txt
Bzip2_threshold-002.0_power_phase_v2.txt
Bzip2_threshold-002.0_reconstructed_v2.eps
Bzip2_threshold-002.0_reconstructed_v2.jgr
Bzip2_threshold-002.0_reconstructed_v2.txt
Bzip2_threshold-002.0_representative_vectors_v2.txt
Bzip2_threshold-003.0_expoints_v2.txt
Bzip2_threshold-003.0_group_histo.txt
Bzip2_threshold-003.0_power_phase_v2.txt
Bzip2_threshold-003.0_reconstructed_v2.eps
Bzip2_threshold-003.0_reconstructed_v2.jgr
Bzip2_threshold-003.0_reconstructed_v2.txt
Bzip2_threshold-003.0_representative_vectors_v2.txt
Bzip2_threshold-004.0_expoints_v2.txt
Bzip2_threshold-004.0_group_histo.txt
Bzip2_threshold-004.0_power_phase_v2.txt
Bzip2_threshold-004.0_reconstructed_v2.eps
Bzip2_threshold-004.0_reconstructed_v2.jgr
Bzip2_threshold-004.0_reconstructed_v2.txt
Bzip2_threshold-004.0_representative_vectors_v2.txt

Bzip2_threshold-005.0_expoints_v2.txt
Bzip2_threshold-005.0_group_histo.txt
Bzip2_threshold-005.0_power_phase_v2.txt
Bzip2_threshold-005.0_reconstructed_v2.eps
Bzip2_threshold-005.0_reconstructed_v2.jgr
Bzip2_threshold-005.0_reconstructed_v2.txt
Bzip2_threshold-005.0_representative_vectors_v2.txt
Bzip2_threshold-006.0_expoints_v2.txt
Bzip2_threshold-006.0_group_histo.txt
Bzip2_threshold-006.0_power_phase_v2.txt
Bzip2_threshold-006.0_reconstructed_v2.eps
Bzip2_threshold-006.0_reconstructed_v2.jgr
Bzip2_threshold-006.0_reconstructed_v2.txt
Bzip2_threshold-006.0_representative_vectors_v2.txt
Bzip2_threshold-007.0_expoints_v2.txt
Bzip2_threshold-007.0_group_histo.txt
Bzip2_threshold-007.0_power_phase_v2.txt
Bzip2_threshold-007.0_reconstructed_v2.eps
Bzip2_threshold-007.0_reconstructed_v2.jgr
Bzip2_threshold-007.0_reconstructed_v2.txt
Bzip2_threshold-007.0_representative_vectors_v2.txt
Bzip2_threshold-008.0_expoints_v2.txt
Bzip2_threshold-008.0_group_histo.txt
Bzip2_threshold-008.0_power_phase_v2.txt
Bzip2_threshold-008.0_reconstructed_v2.eps
Bzip2_threshold-008.0_reconstructed_v2.jgr
Bzip2_threshold-008.0_reconstructed_v2.txt
Bzip2_threshold-008.0_representative_vectors_v2.txt
Bzip2_threshold-009.0_expoints_v2.txt
Bzip2_threshold-009.0_group_histo.txt
Bzip2_threshold-009.0_power_phase_v2.txt
Bzip2_threshold-009.0_reconstructed_v2.eps
Bzip2_threshold-009.0_reconstructed_v2.jgr
Bzip2_threshold-009.0_reconstructed_v2.txt
Bzip2_threshold-009.0_representative_vectors_v2.txt
Bzip2_threshold-010.0_expoints_v2.txt
Bzip2_threshold-010.0_group_histo.txt
Bzip2_threshold-010.0_power_phase_v2.txt
Bzip2_threshold-010.0_reconstructed_v2.eps
Bzip2_threshold-010.0_reconstructed_v2.jgr
Bzip2_threshold-010.0_reconstructed_v2.txt
Bzip2_threshold-010.0_representative_vectors_v2.txt
Bzip2_threshold-020.0_expoints_v2.txt
Bzip2_threshold-020.0_group_histo.txt
Bzip2_threshold-020.0_power_phase_v2.txt
Bzip2_threshold-020.0_reconstructed_v2.eps
Bzip2_threshold-020.0_reconstructed_v2.jgr
Bzip2_threshold-020.0_reconstructed_v2.txt
Bzip2_threshold-020.0_representative_vectors_v2.txt
Bzip2_threshold-030.0_expoints_v2.txt
Bzip2_threshold-030.0_group_histo.txt
Bzip2_threshold-030.0_power_phase_v2.txt
Bzip2_threshold-030.0_reconstructed_v2.eps
Bzip2_threshold-030.0_reconstructed_v2.jgr
Bzip2_threshold-030.0_reconstructed_v2.txt
Bzip2_threshold-030.0_representative_vectors_v2.txt
Bzip2_threshold-050.0_expoints_v2.txt
Bzip2_threshold-050.0_group_histo.txt
Bzip2_threshold-050.0_power_phase_v2.txt
Bzip2_threshold-050.0_reconstructed_v2.eps
Bzip2_threshold-050.0_reconstructed_v2.jgr
Bzip2_threshold-050.0_reconstructed_v2.txt
Bzip2_threshold-050.0_representative_vectors_v2.txt
Bzip2_threshold-070.0_expoints_v2.txt
Bzip2_threshold-070.0_group_histo.txt
Bzip2_threshold-070.0_power_phase_v2.txt
Bzip2_threshold-070.0_reconstructed_v2.eps
Bzip2_threshold-070.0_reconstructed_v2.jgr
Bzip2_threshold-070.0_reconstructed_v2.txt
Bzip2_threshold-070.0_representative_vectors_v2.txt
Bzip2_threshold-100.0_expoints_v2.txt
Bzip2_threshold-100.0_group_histo.txt
Bzip2_threshold-100.0_power_phase_v2.txt
Bzip2_threshold-100.0_reconstructed_v2.eps
Bzip2_threshold-100.0_reconstructed_v2.jgr
Bzip2_threshold-100.0_reconstructed_v2.txt
Bzip2_threshold-100.0_representative_vectors_v2.txt

Canturk_ISCA_Power Vectors.doc

Crafty

Crafty_DATA

— Craffy_threshold-009.0_group_histo.txt
— Craffy_threshold-009.0_power_phase_v2.txt
— Craffy_threshold-009.0_reconstructed_v2.eps
— Craffy_threshold-009.0_reconstructed_v2.jgr
— Craffy_threshold-009.0_reconstructed_v2.txt
— Craffy_threshold-009.0_representative_vectors_v2.txt
— Craffy_threshold-010.0_expoints_v2.txt
— Craffy_threshold-010.0_group_histo.txt
— Craffy_threshold-010.0_power_phase_v2.txt
— Craffy_threshold-010.0_reconstructed_v2.eps
— Craffy_threshold-010.0_reconstructed_v2.jgr
— Craffy_threshold-010.0_reconstructed_v2.txt
— Craffy_threshold-010.0_representative_vectors_v2.txt
— Craffy_threshold-020.0_expoints_v2.txt
— Craffy_threshold-020.0_group_histo.txt
— Craffy_threshold-020.0_power_phase_v2.txt
— Craffy_threshold-020.0_reconstructed_v2.eps
— Craffy_threshold-020.0_reconstructed_v2.jgr
— Craffy_threshold-020.0_reconstructed_v2.txt
— Craffy_threshold-020.0_representative_vectors_v2.txt
— Craffy_threshold-030.0_expoints_v2.txt
— Craffy_threshold-030.0_group_histo.txt
— Craffy_threshold-030.0_power_phase_v2.txt
— Craffy_threshold-030.0_reconstructed_v2.eps
— Craffy_threshold-030.0_reconstructed_v2.jgr
— Craffy_threshold-030.0_reconstructed_v2.txt
— Craffy_threshold-030.0_representative_vectors_v2.txt
— Craffy_threshold-050.0_expoints_v2.txt
— Craffy_threshold-050.0_group_histo.txt
— Craffy_threshold-050.0_power_phase_v2.txt
— Craffy_threshold-050.0_reconstructed_v2.eps
— Craffy_threshold-050.0_reconstructed_v2.jgr
— Craffy_threshold-050.0_reconstructed_v2.txt
— Craffy_threshold-050.0_representative_vectors_v2.txt
— Craffy_threshold-070.0_expoints_v2.txt
— Craffy_threshold-070.0_group_histo.txt
— Craffy_threshold-070.0_power_phase_v2.txt
— Craffy_threshold-070.0_reconstructed_v2.eps
— Craffy_threshold-070.0_reconstructed_v2.jgr
— Craffy_threshold-070.0_reconstructed_v2.txt
— Craffy_threshold-070.0_representative_vectors_v2.txt
— Craffy_threshold-100.0_expoints_v2.txt
— Craffy_threshold-100.0_group_histo.txt
— Craffy_threshold-100.0_power_phase_v2.txt
— Craffy_threshold-100.0_reconstructed_v2.eps
— Craffy_threshold-100.0_reconstructed_v2.jgr
— Craffy_threshold-100.0_reconstructed_v2.txt
— Craffy_threshold-100.0_representative_vectors_v2.txt

Equake

— Equake_DATA
— Equake_phase_groupsv2_000.1.gif
— Equake_phase_groupsv2_001.0.gif
— Equake_phase_groupsv2_002.0.gif
— Equake_phase_groupsv2_003.0.gif
— Equake_phase_groupsv2_004.0.gif
— Equake_phase_groupsv2_005.0.gif
— Equake_phase_groupsv2_006.0.gif
— Equake_phase_groupsv2_007.0.gif
— Equake_phase_groupsv2_008.0.gif
— Equake_phase_groupsv2_009.0.gif
— Equake_phase_groupsv2_010.0.gif
— Equake_phase_groupsv2_020.0.gif
— Equake_phase_groupsv2_030.0.gif
— Equake_phase_groupsv2_050.0.gif
— Equake_phase_groupsv2_070.0.gif
— Equake_phase_groupsv2_100.0.gif
— Equake_threshold-000.1_expoints_v2.txt
— Equake_threshold-000.1_group_histo.txt
— Equake_threshold-000.1_power_phase_v2.txt
— Equake_threshold-000.1_reconstructed_v2.eps
— Equake_threshold-000.1_reconstructed_v2.jgr
— Equake_threshold-000.1_reconstructed_v2.txt
— Equake_threshold-000.1_representative_vectors_v2.txt
— Equake_threshold-001.0_expoints_v2.txt
— Equake_threshold-001.0_group_histo.txt
— Equake_threshold-001.0_power_phase_v2.txt
— Equake_threshold-001.0_reconstructed_v2.eps
— Equake_threshold-001.0_reconstructed_v2.jgr
— Equake_threshold-001.0_reconstructed_v2.txt
— Equake_threshold-001.0_representative_vectors_v2.txt

Equake_threshold-050.0_reconstructed_v2.eps
Equake_threshold-050.0_reconstructed_v2.jgr
Equake_threshold-050.0_reconstructed_v2.txt
Equake_threshold-050.0_representative_vectors_v2.txt
Equake_threshold-070.0_expoints_v2.txt
Equake_threshold-070.0_group_histo.txt
Equake_threshold-070.0_power_phase_v2.txt
Equake_threshold-070.0_reconstructed_v2.eps
Equake_threshold-070.0_reconstructed_v2.jgr
Equake_threshold-070.0_reconstructed_v2.txt
Equake_threshold-070.0_representative_vectors_v2.txt
Equake_threshold-100.0_expoints_v2.txt
Equake_threshold-100.0_group_histo.txt
Equake_threshold-100.0_power_phase_v2.txt
Equake_threshold-100.0_reconstructed_v2.eps
Equake_threshold-100.0_reconstructed_v2.jgr
Equake_threshold-100.0_reconstructed_v2.txt
Equake_threshold-100.0_representative_vectors_v2.txt

Gap

Gap_DATA
Gap_phase_groupsv2_000.1.gif
Gap_phase_groupsv2_001.0.gif
Gap_phase_groupsv2_002.0.gif
Gap_phase_groupsv2_003.0.gif
Gap_phase_groupsv2_004.0.gif
Gap_phase_groupsv2_005.0.gif
Gap_phase_groupsv2_006.0.gif
Gap_phase_groupsv2_007.0.gif
Gap_phase_groupsv2_008.0.gif
Gap_phase_groupsv2_009.0.gif
Gap_phase_groupsv2_010.0.gif
Gap_phase_groupsv2_020.0.gif
Gap_phase_groupsv2_030.0.gif
Gap_phase_groupsv2_050.0.gif
Gap_phase_groupsv2_070.0.gif
Gap_phase_groupsv2_100.0.gif
Gap_threshold-000.1_expoints_v2.txt
Gap_threshold-000.1_group_histo.txt
Gap_threshold-000.1_power_phase_v2.txt
Gap_threshold-000.1_reconstructed_v2.eps
Gap_threshold-000.1_reconstructed_v2.jgr
Gap_threshold-000.1_reconstructed_v2.txt
Gap_threshold-000.1_representative_vectors_v2.txt
Gap_threshold-001.0_expoints_v2.txt
Gap_threshold-001.0_group_histo.txt
Gap_threshold-001.0_power_phase_v2.txt
Gap_threshold-001.0_reconstructed_v2.eps
Gap_threshold-001.0_reconstructed_v2.jgr
Gap_threshold-001.0_reconstructed_v2.txt
Gap_threshold-001.0_representative_vectors_v2.txt
Gap_threshold-002.0_expoints_v2.txt
Gap_threshold-002.0_group_histo.txt
Gap_threshold-002.0_power_phase_v2.txt
Gap_threshold-002.0_reconstructed_v2.eps
Gap_threshold-002.0_reconstructed_v2.jgr
Gap_threshold-002.0_reconstructed_v2.txt
Gap_threshold-002.0_representative_vectors_v2.txt
Gap_threshold-003.0_expoints_v2.txt
Gap_threshold-003.0_group_histo.txt
Gap_threshold-003.0_power_phase_v2.txt
Gap_threshold-003.0_reconstructed_v2.eps
Gap_threshold-003.0_reconstructed_v2.jgr
Gap_threshold-003.0_reconstructed_v2.txt
Gap_threshold-003.0_representative_vectors_v2.txt
Gap_threshold-004.0_expoints_v2.txt
Gap_threshold-004.0_group_histo.txt
Gap_threshold-004.0_power_phase_v2.txt
Gap_threshold-004.0_reconstructed_v2.eps
Gap_threshold-004.0_reconstructed_v2.jgr
Gap_threshold-004.0_reconstructed_v2.txt
Gap_threshold-004.0_representative_vectors_v2.txt
Gap_threshold-005.0_expoints_v2.txt
Gap_threshold-005.0_group_histo.txt
Gap_threshold-005.0_power_phase_v2.txt
Gap_threshold-005.0_reconstructed_v2.eps
Gap_threshold-005.0_reconstructed_v2.jgr
Gap_threshold-005.0_reconstructed_v2.txt
Gap_threshold-005.0_representative_vectors_v2.txt
Gap_threshold-006.0_expoints_v2.txt
Gap_threshold-006.0_group_histo.txt

Gap_threshold-006.0_power_phase_v2.txt
Gap_threshold-006.0_reconstructed_v2.eps
Gap_threshold-006.0_reconstructed_v2.jgr
Gap_threshold-006.0_reconstructed_v2.txt
Gap_threshold-006.0_representative_vectors_v2.txt
Gap_threshold-007.0_expoints_v2.txt
Gap_threshold-007.0_group_histo.txt
Gap_threshold-007.0_power_phase_v2.txt
Gap_threshold-007.0_reconstructed_v2.eps
Gap_threshold-007.0_reconstructed_v2.jgr
Gap_threshold-007.0_reconstructed_v2.txt
Gap_threshold-007.0_representative_vectors_v2.txt
Gap_threshold-008.0_expoints_v2.txt
Gap_threshold-008.0_group_histo.txt
Gap_threshold-008.0_power_phase_v2.txt
Gap_threshold-008.0_reconstructed_v2.eps
Gap_threshold-008.0_reconstructed_v2.jgr
Gap_threshold-008.0_reconstructed_v2.txt
Gap_threshold-008.0_representative_vectors_v2.txt
Gap_threshold-009.0_expoints_v2.txt
Gap_threshold-009.0_group_histo.txt
Gap_threshold-009.0_power_phase_v2.txt
Gap_threshold-009.0_reconstructed_v2.eps
Gap_threshold-009.0_reconstructed_v2.jgr
Gap_threshold-009.0_reconstructed_v2.txt
Gap_threshold-009.0_representative_vectors_v2.txt
Gap_threshold-010.0_expoints_v2.txt
Gap_threshold-010.0_group_histo.txt
Gap_threshold-010.0_power_phase_v2.txt
Gap_threshold-010.0_reconstructed_v2.eps
Gap_threshold-010.0_reconstructed_v2.jgr
Gap_threshold-010.0_reconstructed_v2.txt
Gap_threshold-010.0_representative_vectors_v2.txt
Gap_threshold-020.0_expoints_v2.txt
Gap_threshold-020.0_group_histo.txt
Gap_threshold-020.0_power_phase_v2.txt
Gap_threshold-020.0_reconstructed_v2.eps
Gap_threshold-020.0_reconstructed_v2.jgr
Gap_threshold-020.0_reconstructed_v2.txt
Gap_threshold-020.0_representative_vectors_v2.txt
Gap_threshold-030.0_expoints_v2.txt
Gap_threshold-030.0_group_histo.txt
Gap_threshold-030.0_power_phase_v2.txt
Gap_threshold-030.0_reconstructed_v2.eps
Gap_threshold-030.0_reconstructed_v2.jgr
Gap_threshold-030.0_reconstructed_v2.txt
Gap_threshold-030.0_representative_vectors_v2.txt
Gap_threshold-050.0_expoints_v2.txt
Gap_threshold-050.0_group_histo.txt
Gap_threshold-050.0_power_phase_v2.txt
Gap_threshold-050.0_reconstructed_v2.eps
Gap_threshold-050.0_reconstructed_v2.jgr
Gap_threshold-050.0_reconstructed_v2.txt
Gap_threshold-050.0_representative_vectors_v2.txt
Gap_threshold-070.0_expoints_v2.txt
Gap_threshold-070.0_group_histo.txt
Gap_threshold-070.0_power_phase_v2.txt
Gap_threshold-070.0_reconstructed_v2.eps
Gap_threshold-070.0_reconstructed_v2.jgr
Gap_threshold-070.0_reconstructed_v2.txt
Gap_threshold-070.0_representative_vectors_v2.txt
Gap_threshold-100.0_expoints_v2.txt
Gap_threshold-100.0_group_histo.txt
Gap_threshold-100.0_power_phase_v2.txt
Gap_threshold-100.0_reconstructed_v2.eps
Gap_threshold-100.0_reconstructed_v2.jgr
Gap_threshold-100.0_reconstructed_v2.txt
Gap_threshold-100.0_representative_vectors_v2.txt

Gcc

Gcc_DATA
Gcc_phase_groupsv2_000.1.gif
Gcc_phase_groupsv2_001.0.gif
Gcc_phase_groupsv2_002.0.gif
Gcc_phase_groupsv2_003.0.gif
Gcc_phase_groupsv2_004.0.gif
Gcc_phase_groupsv2_005.0.gif
Gcc_phase_groupsv2_006.0.gif
Gcc_phase_groupsv2_007.0.gif
Gcc_phase_groupsv2_008.0.gif
Gcc_phase_groupsv2_009.0.gif

— Gcc_threshold-010.0_reconstructed_v2.jgr
— Gcc_threshold-010.0_reconstructed_v2.txt
— Gcc_threshold-010.0_representative_vectors_v2.txt
— Gcc_threshold-020.0_expoints_v2.txt
— Gcc_threshold-020.0_group_histo.txt
— Gcc_threshold-020.0_power_phase_v2.txt
— Gcc_threshold-020.0_reconstructed_v2.eps
— Gcc_threshold-020.0_reconstructed_v2.jgr
— Gcc_threshold-020.0_reconstructed_v2.txt
— Gcc_threshold-020.0_representative_vectors_v2.txt
— Gcc_threshold-030.0_expoints_v2.txt
— Gcc_threshold-030.0_group_histo.txt
— Gcc_threshold-030.0_power_phase_v2.txt
— Gcc_threshold-030.0_reconstructed_v2.eps
— Gcc_threshold-030.0_reconstructed_v2.jgr
— Gcc_threshold-030.0_reconstructed_v2.txt
— Gcc_threshold-030.0_representative_vectors_v2.txt
— Gcc_threshold-050.0_expoints_v2.txt
— Gcc_threshold-050.0_group_histo.txt
— Gcc_threshold-050.0_power_phase_v2.txt
— Gcc_threshold-050.0_reconstructed_v2.eps
— Gcc_threshold-050.0_reconstructed_v2.jgr
— Gcc_threshold-050.0_reconstructed_v2.txt
— Gcc_threshold-050.0_representative_vectors_v2.txt
— Gcc_threshold-070.0_expoints_v2.txt
— Gcc_threshold-070.0_group_histo.txt
— Gcc_threshold-070.0_power_phase_v2.txt
— Gcc_threshold-070.0_reconstructed_v2.eps
— Gcc_threshold-070.0_reconstructed_v2.jgr
— Gcc_threshold-070.0_reconstructed_v2.txt
— Gcc_threshold-070.0_representative_vectors_v2.txt
— Gcc_threshold-100.0_expoints_v2.txt
— Gcc_threshold-100.0_group_histo.txt
— Gcc_threshold-100.0_power_phase_v2.txt
— Gcc_threshold-100.0_reconstructed_v2.eps
— Gcc_threshold-100.0_reconstructed_v2.jgr
— Gcc_threshold-100.0_reconstructed_v2.txt
— Gcc_threshold-100.0_representative_vectors_v2.txt
— gcc_simmatrix.jpg

Gzip

— Gzip_DATA
— Gzip_phase_groupsv2_000.1.gif
— Gzip_phase_groupsv2_001.0.gif
— Gzip_phase_groupsv2_002.0.gif
— Gzip_phase_groupsv2_003.0.gif
— Gzip_phase_groupsv2_004.0.gif
— Gzip_phase_groupsv2_005.0.gif
— Gzip_phase_groupsv2_006.0.gif
— Gzip_phase_groupsv2_007.0.gif
— Gzip_phase_groupsv2_008.0.gif
— Gzip_phase_groupsv2_009.0.gif
— Gzip_phase_groupsv2_010.0.gif
— Gzip_phase_groupsv2_020.0.gif
— Gzip_phase_groupsv2_030.0.gif
— Gzip_phase_groupsv2_050.0.gif
— Gzip_phase_groupsv2_070.0.gif
— Gzip_phase_groupsv2_100.0.gif
— Gzip_threshold-000.1_expoints_v2.txt
— Gzip_threshold-000.1_group_histo.txt
— Gzip_threshold-000.1_power_phase_v2.txt
— Gzip_threshold-000.1_reconstructed_v2.eps
— Gzip_threshold-000.1_reconstructed_v2.jgr
— Gzip_threshold-000.1_reconstructed_v2.txt
— Gzip_threshold-000.1_representative_vectors_v2.txt
— Gzip_threshold-001.0_expoints_v2.txt
— Gzip_threshold-001.0_group_histo.txt
— Gzip_threshold-001.0_power_phase_v2.txt
— Gzip_threshold-001.0_reconstructed_v2.eps
— Gzip_threshold-001.0_reconstructed_v2.jgr
— Gzip_threshold-001.0_reconstructed_v2.txt
— Gzip_threshold-001.0_representative_vectors_v2.txt
— Gzip_threshold-002.0_expoints_v2.txt
— Gzip_threshold-002.0_group_histo.txt
— Gzip_threshold-002.0_power_phase_v2.txt
— Gzip_threshold-002.0_reconstructed_v2.eps
— Gzip_threshold-002.0_reconstructed_v2.jgr
— Gzip_threshold-002.0_reconstructed_v2.txt
— Gzip_threshold-002.0_representative_vectors_v2.txt
— Gzip_threshold-003.0_expoints_v2.txt
— Gzip_threshold-003.0_group_histo.txt

- _____ Gzip_threshold-070.0_reconstructed_v2.txt
- _____ Gzip_threshold-070.0_representative_vectors_v2.txt
- _____ Gzip_threshold-100.0_expoinets_v2.txt
- _____ Gzip_threshold-100.0_group_histo.txt
- _____ Gzip_threshold-100.0_power_phase_v2.txt
- _____ Gzip_threshold-100.0_reconstructed_v2.eps
- _____ Gzip_threshold-100.0_reconstructed_v2.jgr
- _____ Gzip_threshold-100.0_reconstructed_v2.txt
- _____ Gzip_threshold-100.0_representative_vectors_v2.txt
- _____ OLD
- _____ GZIP_phase_groups_000.1.jpg
- _____ GZIP_phase_groups_001.0.jpg
- _____ GZIP_phase_groups_005.0.jpg
- _____ GZIP_phase_groups_010.0.jpg
- _____ GZIP_phase_groups_020.0.jpg
- _____ GZIP_phase_groups_030.0.jpg
- _____ GZIP_phase_groups_050.0.jpg
- _____ GZIP_phase_groups_070.0.jpg
- _____ GZIP_phase_groups_100.0.jpg
- _____ GZIP_phase_groupsv2_000.1.jpg
- _____ GZIP_phase_groupsv2_001.0.jpg
- _____ GZIP_phase_groupsv2_005.0.jpg
- _____ GZIP_phase_groupsv2_010.0.jpg
- _____ GZIP_phase_groupsv2_020.0.jpg
- _____ GZIP_phase_groupsv2_030.0.jpg
- _____ GZIP_phase_groupsv2_050.0.jpg
- _____ GZIP_phase_groupsv2_070.0.jpg
- _____ GZIP_phase_groupsv2_100.0.jpg
- _____ GZIP_similarity_matrix.jpg
- _____ GZIP_similarity_matrix_intersect.jpg
- _____ GZIP_similarity_matrix_normalized.jpg
- _____ GZIP_similarity_matrix_total.jpg
- _____ Gzip_threshold-0.01.power_phase.txt
- _____ Gzip_threshold-0.01.power_phase.xls
- _____ Gzip_threshold-0.01.power_phase_v2.txt
- _____ Gzip_threshold-0.01.power_phase_v2.xls
- _____ Gzip_threshold-0.01.reconstructed.txt
- _____ Gzip_threshold-0.01.reconstructed.xls
- _____ Gzip_threshold-0.01.reconstructed_v2.txt
- _____ Gzip_threshold-0.01.reconstructed_v2.xls
- _____ Gzip_threshold-0.10.group_histogram_v2.xls
- _____ Gzip_threshold-0.10.group_radars_v2.xls
- _____ Gzip_threshold-0.10.groups_v2.xls
- _____ Gzip_threshold-0.10.power_phase.txt
- _____ Gzip_threshold-0.10.power_phase.xls
- _____ Gzip_threshold-0.10.power_phase_v2.txt
- _____ Gzip_threshold-0.10.power_phase_v2.xls
- _____ Gzip_threshold-0.10.reconstructed.txt
- _____ Gzip_threshold-0.10.reconstructed.xls
- _____ Gzip_threshold-0.10.reconstructed_v2.txt
- _____ Gzip_threshold-0.10.reconstructed_v2.xls
- _____ Gzip_threshold-0.10.representative_vectors
- _____ Gzip_threshold-0.10.representative_vectors.xls
- _____ Gzip_threshold-0.10.representative_vectors_v2.txt
- _____ Gzip_threshold-0.10.representative_vectors_v2.xls
- _____ Gzip_threshold-0.10.select_ExecPoints_v2.xls
- _____ ThresholdingV2_slidesforPrinting.ppt
- _____ gzip_reconstructed.doc
- _____ threshold_curvefir_maybe.xls
- _____ Mesa
- _____ Mesa_DATA
- _____ Mesa_phase_groupsv2_000.1.gif
- _____ Mesa_phase_groupsv2_001.0.gif
- _____ Mesa_phase_groupsv2_002.0.gif
- _____ Mesa_phase_groupsv2_003.0.gif
- _____ Mesa_phase_groupsv2_004.0.gif
- _____ Mesa_phase_groupsv2_005.0.gif
- _____ Mesa_phase_groupsv2_006.0.gif
- _____ Mesa_phase_groupsv2_007.0.gif
- _____ Mesa_phase_groupsv2_008.0.gif
- _____ Mesa_phase_groupsv2_009.0.gif
- _____ Mesa_phase_groupsv2_010.0.gif
- _____ Mesa_phase_groupsv2_020.0.gif
- _____ Mesa_phase_groupsv2_030.0.gif
- _____ Mesa_phase_groupsv2_050.0.gif
- _____ Mesa_phase_groupsv2_070.0.gif
- _____ Mesa_phase_groupsv2_100.0.gif
- _____ Mesa_threshold-000.1_expoinets_v2.txt
- _____ Mesa_threshold-000.1_group_histo.txt
- _____ Mesa_threshold-000.1_power_phase_v2.txt

- _____Mesa_threshold-020.0_representative_vectors_v2.txt
- _____Mesa_threshold-030.0_expoints_v2.txt
- _____Mesa_threshold-030.0_group_histo.txt
- _____Mesa_threshold-030.0_power_phase_v2.txt
- _____Mesa_threshold-030.0_reconstructed_v2.eps
- _____Mesa_threshold-030.0_reconstructed_v2.jgr
- _____Mesa_threshold-030.0_reconstructed_v2.txt
- _____Mesa_threshold-030.0_representative_vectors_v2.txt
- _____Mesa_threshold-050.0_expoints_v2.txt
- _____Mesa_threshold-050.0_group_histo.txt
- _____Mesa_threshold-050.0_power_phase_v2.txt
- _____Mesa_threshold-050.0_reconstructed_v2.eps
- _____Mesa_threshold-050.0_reconstructed_v2.jgr
- _____Mesa_threshold-050.0_reconstructed_v2.txt
- _____Mesa_threshold-050.0_representative_vectors_v2.txt
- _____Mesa_threshold-070.0_expoints_v2.txt
- _____Mesa_threshold-070.0_group_histo.txt
- _____Mesa_threshold-070.0_power_phase_v2.txt
- _____Mesa_threshold-070.0_reconstructed_v2.eps
- _____Mesa_threshold-070.0_reconstructed_v2.jgr
- _____Mesa_threshold-070.0_reconstructed_v2.txt
- _____Mesa_threshold-070.0_representative_vectors_v2.txt
- _____Mesa_threshold-100.0_expoints_v2.txt
- _____Mesa_threshold-100.0_group_histo.txt
- _____Mesa_threshold-100.0_power_phase_v2.txt
- _____Mesa_threshold-100.0_reconstructed_v2.eps
- _____Mesa_threshold-100.0_reconstructed_v2.jgr
- _____Mesa_threshold-100.0_reconstructed_v2.txt
- _____Mesa_threshold-100.0_representative_vectors_v2.txt

_____Overall_errors.pdf

_____Parser

- _____Parser_DATA
- _____Parser_phase_groupsv2_000.1.gif
- _____Parser_phase_groupsv2_001.0.gif
- _____Parser_phase_groupsv2_002.0.gif
- _____Parser_phase_groupsv2_003.0.gif
- _____Parser_phase_groupsv2_004.0.gif
- _____Parser_phase_groupsv2_005.0.gif
- _____Parser_phase_groupsv2_006.0.gif
- _____Parser_phase_groupsv2_007.0.gif
- _____Parser_phase_groupsv2_008.0.gif
- _____Parser_phase_groupsv2_009.0.gif
- _____Parser_phase_groupsv2_010.0.gif
- _____Parser_phase_groupsv2_020.0.gif
- _____Parser_phase_groupsv2_030.0.gif
- _____Parser_phase_groupsv2_050.0.gif
- _____Parser_phase_groupsv2_070.0.gif
- _____Parser_phase_groupsv2_100.0.gif
- _____Parser_threshold-000.1_expoints_v2.txt
- _____Parser_threshold-000.1_group_histo.txt
- _____Parser_threshold-000.1_power_phase_v2.txt
- _____Parser_threshold-000.1_reconstructed_v2.eps
- _____Parser_threshold-000.1_reconstructed_v2.jgr
- _____Parser_threshold-000.1_reconstructed_v2.txt
- _____Parser_threshold-000.1_representative_vectors_v2.txt
- _____Parser_threshold-001.0_expoints_v2.txt
- _____Parser_threshold-001.0_group_histo.txt
- _____Parser_threshold-001.0_power_phase_v2.txt
- _____Parser_threshold-001.0_reconstructed_v2.eps
- _____Parser_threshold-001.0_reconstructed_v2.jgr
- _____Parser_threshold-001.0_reconstructed_v2.txt
- _____Parser_threshold-001.0_representative_vectors_v2.txt
- _____Parser_threshold-002.0_expoints_v2.txt
- _____Parser_threshold-002.0_group_histo.txt
- _____Parser_threshold-002.0_power_phase_v2.txt
- _____Parser_threshold-002.0_reconstructed_v2.eps
- _____Parser_threshold-002.0_reconstructed_v2.jgr
- _____Parser_threshold-002.0_reconstructed_v2.txt
- _____Parser_threshold-002.0_representative_vectors_v2.txt
- _____Parser_threshold-003.0_expoints_v2.txt
- _____Parser_threshold-003.0_group_histo.txt
- _____Parser_threshold-003.0_power_phase_v2.txt
- _____Parser_threshold-003.0_reconstructed_v2.eps
- _____Parser_threshold-003.0_reconstructed_v2.jgr
- _____Parser_threshold-003.0_reconstructed_v2.txt
- _____Parser_threshold-003.0_representative_vectors_v2.txt
- _____Parser_threshold-004.0_expoints_v2.txt
- _____Parser_threshold-004.0_group_histo.txt
- _____Parser_threshold-004.0_power_phase_v2.txt
- _____Parser_threshold-004.0_reconstructed_v2.eps

Twolf

Twolf_DATA
Twolf_phase_groupsv2_000.1.gif
Twolf_phase_groupsv2_001.0.gif
Twolf_phase_groupsv2_002.0.gif
Twolf_phase_groupsv2_003.0.gif
Twolf_phase_groupsv2_004.0.gif
Twolf_phase_groupsv2_005.0.gif
Twolf_phase_groupsv2_006.0.gif
Twolf_phase_groupsv2_007.0.gif
Twolf_phase_groupsv2_008.0.gif
Twolf_phase_groupsv2_009.0.gif
Twolf_phase_groupsv2_010.0.gif
Twolf_phase_groupsv2_020.0.gif
Twolf_phase_groupsv2_030.0.gif
Twolf_phase_groupsv2_050.0.gif
Twolf_phase_groupsv2_070.0.gif
Twolf_phase_groupsv2_100.0.gif
Twolf_threshold-000.1_expoints_v2.txt
Twolf_threshold-000.1_group_histo.txt
Twolf_threshold-000.1_power_phase_v2.txt
Twolf_threshold-000.1_reconstructed_v2.eps
Twolf_threshold-000.1_reconstructed_v2.jgr
Twolf_threshold-000.1_reconstructed_v2.txt
Twolf_threshold-000.1_representative_vectors_v2.txt
Twolf_threshold-001.0_expoints_v2.txt
Twolf_threshold-001.0_group_histo.txt
Twolf_threshold-001.0_power_phase_v2.txt
Twolf_threshold-001.0_reconstructed_v2.eps
Twolf_threshold-001.0_reconstructed_v2.jgr
Twolf_threshold-001.0_reconstructed_v2.txt
Twolf_threshold-001.0_representative_vectors_v2.txt
Twolf_threshold-002.0_expoints_v2.txt
Twolf_threshold-002.0_group_histo.txt
Twolf_threshold-002.0_power_phase_v2.txt
Twolf_threshold-002.0_reconstructed_v2.eps
Twolf_threshold-002.0_reconstructed_v2.jgr
Twolf_threshold-002.0_reconstructed_v2.txt
Twolf_threshold-002.0_representative_vectors_v2.txt
Twolf_threshold-003.0_expoints_v2.txt
Twolf_threshold-003.0_group_histo.txt
Twolf_threshold-003.0_power_phase_v2.txt
Twolf_threshold-003.0_reconstructed_v2.eps
Twolf_threshold-003.0_reconstructed_v2.jgr
Twolf_threshold-003.0_reconstructed_v2.txt
Twolf_threshold-003.0_representative_vectors_v2.txt
Twolf_threshold-004.0_expoints_v2.txt
Twolf_threshold-004.0_group_histo.txt
Twolf_threshold-004.0_power_phase_v2.txt
Twolf_threshold-004.0_reconstructed_v2.eps
Twolf_threshold-004.0_reconstructed_v2.jgr
Twolf_threshold-004.0_reconstructed_v2.txt
Twolf_threshold-004.0_representative_vectors_v2.txt
Twolf_threshold-005.0_expoints_v2.txt
Twolf_threshold-005.0_group_histo.txt
Twolf_threshold-005.0_power_phase_v2.txt
Twolf_threshold-005.0_reconstructed_v2.eps
Twolf_threshold-005.0_reconstructed_v2.jgr
Twolf_threshold-005.0_reconstructed_v2.txt
Twolf_threshold-005.0_representative_vectors_v2.txt
Twolf_threshold-006.0_expoints_v2.txt
Twolf_threshold-006.0_group_histo.txt
Twolf_threshold-006.0_power_phase_v2.txt
Twolf_threshold-006.0_reconstructed_v2.eps
Twolf_threshold-006.0_reconstructed_v2.jgr
Twolf_threshold-006.0_reconstructed_v2.txt
Twolf_threshold-006.0_representative_vectors_v2.txt
Twolf_threshold-007.0_expoints_v2.txt
Twolf_threshold-007.0_group_histo.txt
Twolf_threshold-007.0_power_phase_v2.txt
Twolf_threshold-007.0_reconstructed_v2.eps
Twolf_threshold-007.0_reconstructed_v2.jgr
Twolf_threshold-007.0_reconstructed_v2.txt
Twolf_threshold-007.0_representative_vectors_v2.txt
Twolf_threshold-008.0_expoints_v2.txt
Twolf_threshold-008.0_group_histo.txt
Twolf_threshold-008.0_power_phase_v2.txt
Twolf_threshold-008.0_reconstructed_v2.eps
Twolf_threshold-008.0_reconstructed_v2.jgr
Twolf_threshold-008.0_reconstructed_v2.txt

Twolf_threshold-008.0_representative_vectors_v2.txt
Twolf_threshold-009.0_expoints_v2.txt
Twolf_threshold-009.0_group_histo.txt
Twolf_threshold-009.0_power_phase_v2.txt
Twolf_threshold-009.0_reconstructed_v2.eps
Twolf_threshold-009.0_reconstructed_v2.jgr
Twolf_threshold-009.0_reconstructed_v2.txt
Twolf_threshold-009.0_representative_vectors_v2.txt
Twolf_threshold-010.0_expoints_v2.txt
Twolf_threshold-010.0_group_histo.txt
Twolf_threshold-010.0_power_phase_v2.txt
Twolf_threshold-010.0_reconstructed_v2.eps
Twolf_threshold-010.0_reconstructed_v2.jgr
Twolf_threshold-010.0_reconstructed_v2.txt
Twolf_threshold-010.0_representative_vectors_v2.txt
Twolf_threshold-020.0_expoints_v2.txt
Twolf_threshold-020.0_group_histo.txt
Twolf_threshold-020.0_power_phase_v2.txt
Twolf_threshold-020.0_reconstructed_v2.eps
Twolf_threshold-020.0_reconstructed_v2.jgr
Twolf_threshold-020.0_reconstructed_v2.txt
Twolf_threshold-020.0_representative_vectors_v2.txt
Twolf_threshold-030.0_expoints_v2.txt
Twolf_threshold-030.0_group_histo.txt
Twolf_threshold-030.0_power_phase_v2.txt
Twolf_threshold-030.0_reconstructed_v2.eps
Twolf_threshold-030.0_reconstructed_v2.jgr
Twolf_threshold-030.0_reconstructed_v2.txt
Twolf_threshold-030.0_representative_vectors_v2.txt
Twolf_threshold-050.0_expoints_v2.txt
Twolf_threshold-050.0_group_histo.txt
Twolf_threshold-050.0_power_phase_v2.txt
Twolf_threshold-050.0_reconstructed_v2.eps
Twolf_threshold-050.0_reconstructed_v2.jgr
Twolf_threshold-050.0_reconstructed_v2.txt
Twolf_threshold-050.0_representative_vectors_v2.txt
Twolf_threshold-070.0_expoints_v2.txt
Twolf_threshold-070.0_group_histo.txt
Twolf_threshold-070.0_power_phase_v2.txt
Twolf_threshold-070.0_reconstructed_v2.eps
Twolf_threshold-070.0_reconstructed_v2.jgr
Twolf_threshold-070.0_reconstructed_v2.txt
Twolf_threshold-070.0_representative_vectors_v2.txt
Twolf_threshold-100.0_expoints_v2.txt
Twolf_threshold-100.0_group_histo.txt
Twolf_threshold-100.0_power_phase_v2.txt
Twolf_threshold-100.0_reconstructed_v2.eps
Twolf_threshold-100.0_reconstructed_v2.jgr
Twolf_threshold-100.0_reconstructed_v2.txt
Twolf_threshold-100.0_representative_vectors_v2.txt
twolf
└── 2003_10_15_161750_shot.jpg

Vpr

2003_10_09_155438_shot.jpg
2003_10_16_120814_shot.jpg
Vpr_DATA
Vpr_phase_groupsv2_000.1.gif
Vpr_phase_groupsv2_001.0.gif
Vpr_phase_groupsv2_002.0.gif
Vpr_phase_groupsv2_003.0.gif
Vpr_phase_groupsv2_004.0.gif
Vpr_phase_groupsv2_005.0.gif
Vpr_phase_groupsv2_006.0.gif
Vpr_phase_groupsv2_007.0.gif
Vpr_phase_groupsv2_008.0.gif
Vpr_phase_groupsv2_009.0.gif
Vpr_phase_groupsv2_010.0.gif
Vpr_phase_groupsv2_020.0.gif
Vpr_phase_groupsv2_030.0.gif
Vpr_phase_groupsv2_050.0.gif
Vpr_phase_groupsv2_070.0.gif
Vpr_phase_groupsv2_100.0.gif
Vpr_threshold-000.1_expoints_v2.txt
Vpr_threshold-000.1_group_histo.txt
Vpr_threshold-000.1_power_phase_v2.txt
Vpr_threshold-000.1_reconstructed_v2.eps
Vpr_threshold-000.1_reconstructed_v2.jgr
Vpr_threshold-000.1_reconstructed_v2.txt
Vpr_threshold-000.1_representative_vectors_v2.txt
Vpr_threshold-001.0_expoints_v2.txt

- Vpr_threshold-030.0_reconstructed_v2.jgr
- Vpr_threshold-030.0_reconstructed_v2.txt
- Vpr_threshold-030.0_representative_vectors_v2.txt
- Vpr_threshold-050.0_expoints_v2.txt
- Vpr_threshold-050.0_group_histo.txt
- Vpr_threshold-050.0_power_phase_v2.txt
- Vpr_threshold-050.0_reconstructed_v2.eps
- Vpr_threshold-050.0_reconstructed_v2.jgr
- Vpr_threshold-050.0_reconstructed_v2.txt
- Vpr_threshold-050.0_representative_vectors_v2.txt
- Vpr_threshold-070.0_expoints_v2.txt
- Vpr_threshold-070.0_group_histo.txt
- Vpr_threshold-070.0_power_phase_v2.txt
- Vpr_threshold-070.0_reconstructed_v2.eps
- Vpr_threshold-070.0_reconstructed_v2.jgr
- Vpr_threshold-070.0_reconstructed_v2.txt
- Vpr_threshold-070.0_representative_vectors_v2.txt
- Vpr_threshold-100.0_expoints_v2.txt
- Vpr_threshold-100.0_group_histo.txt
- Vpr_threshold-100.0_power_phase_v2.txt
- Vpr_threshold-100.0_reconstructed_v2.eps
- Vpr_threshold-100.0_reconstructed_v2.jgr
- Vpr_threshold-100.0_reconstructed_v2.txt
- Vpr_threshold-100.0_representative_vectors_v2.txt
- research_script
- research_script2
- twolf
 - *.eps
 - TwolfPhasesThresholdv2_BATCHMODE
 - TwolfPhasesThresholdv2_BATCHMODE.c
 - TwolfPhasesThresholdv2_BATCHMODE_Makefile
 - TwolfSimilarityMatrixALL
 - TwolfSimilarityMatrixALL.c
 - TwolfSimilarityMatrixALL_Makefile
 - TwolfSimilarityMatrixALL_dynamic
 - TwolfSimilarityMatrixALL_dynamic.c
 - TwolfSimilarityMatrixALL_dynamic_Makefile
 - twolflog.c
 - twolflog_long.c
- vpr
 - *.eps
 - VprPhasesThresholdv2_BATCHMODE
 - VprPhasesThresholdv2_BATCHMODE.c
 - VprPhasesThresholdv2_BATCHMODE_Makefile
 - VprSimilarityMatrixALL
 - VprSimilarityMatrixALL.c
 - VprSimilarityMatrixALL_Makefile
 - vprlog.c
- all-files.tar.gz
- benches
 - CounterSafe
 - Dcache_tester
 - Dcache_tester.c
 - L1Dcache_exercise
 - L1Dcache_exercise.c
 - README
 - branch_exercise
 - branch_exercise.c
 - fast
 - fast.c
 - high_low
 - high_low.c
 - high_low_input
 - L1Dcache_exercise
 - L1Dcache_exercise.c
 - L1Dcache_exercise.s
 - L1Dcache_results.gnumeric
 - L1Dcache_results.xls
 - UPC
 - UPC.c
 - branch_exercise
 - branch_exercise.c
 - branch_exercise.s
 - branch_results.gnumeric
 - branch_results.xls
 - counter_tester
 - counter_tester.c
 - counter_tester2
 - counter_tester2.c
 - fast

- fast.c
- high_low
- high_low.c
- high_low_input
- sil
- sil.c

ele580i

- MacroNET
- MacroNET.c
- MacroNET.c.BAK
- MacroNET.gif
- MacroNET256x256
- MacroNET256x256.c
- Makefile_MacroNET
- Makefile_MacroNET256x256
- Makefile_faultyMacroNET
- Makefile_gifMacroNET
- Makefile_meshMacroNET
- Makefile_sparseMacroNET
- Makefile_sparserMacroNET
- faultyMacroNET
- faultyMacroNET.c
- gifMacroNET
- gifMacroNET.c
- meshMacroNET
- meshMacroNET.c
- sil
- sil.c
- sparseMacroNET
- sparseMacroNET.c
- sparserMacroNET
- sparserMacroNET.c

myjunk

- a.out
- event.h
- fast
- fast.c
- longprog
- longprog.c
- mythread.c
- mythread.o
- phoneword
- phoneword.c
- pidtest
- pidtest.c
- pidtest.dis
- pidtest.o
- printascii
- printascii.c
- probe-server.c
- probe-server.preprocessor
- sigma_Si
- sigma_Si.c
- simple
- simple.c
- simple_static
- writeseial.c

plotting

- ascii_data_file
- ex1
- ex1.c
- ex1.ps
- ex1_X
- ex1_X.c
- ex2
- ex2.c
- ex22
- ex3
- ex3.c
- ex3.gif
- ex4
- ex4.c
- ex5
- ex5.c
- ex55
- ex6
- ex6.c
- mygraph
- mygraph.c
- plotter_graph-Cinterface

- plot
- plot.c
- plot.h
- plot_ex1.c
- plot_ex2.c
- sil.gif
- sil
- thread_safe
 - ex.c
 - ex1
 - ex1.c
 - ex1_X
 - ex1_X.c
 - ex2
 - ex2.c
 - ex3
 - ex3.c
 - ex4
 - ex4.c
 - ex4.ps
 - ex5
 - ex5.c
 - ex5.ps
 - ex6
 - ex6.c
 - ex6.gif
 - ex7
 - ex7.c
 - ex8.c
 - ex9.c
 - threaded
 - threaded.c
- plotutils
 - bin
 - double
 - graph
 - ode
 - plot
 - plotfont
 - spline
 - tek2plot
 - include
 - plot.h
 - plotcompat.h
 - info
 - plotutils.info
 - lib
 - libplot.a
 - libplot.la
 - libplot.so → libplot.so.2.2.1
 - libplot.so.2 → libplot.so.2.2.1
 - libplot.so.2.2.1
 - man
 - man1
 - ode.1
 - plot.1
 - plotfont.1
 - spline.1
 - tek2plot.1
 - share
 - libplot
 - README
 - colors.txt
 - demo-page
 - h-demo.c
 - h-fonts.doc
 - h-glyphs.doc
 - hershey.bib
 - kana.doc
 - kanji.doc
 - ode
 - README
 - atwoods.ode
 - bead.ode
 - chem.ode
 - coupled.ode
 - ddho.ode
 - dynamo.ode
 - henon.ode
 - limitcycle.ode

- lorenz.ode
- lunar.sh
- orbit.ode
- population.ode
- qcd.ode
- rumor.ode
- soliton.ode
- viscous.ode
- tek2plot
 - README
 - aiftest.tek
 - dmerc.tek
 - fofest.tek
 - imtesth.tek
 - karney.tek
 - ocpred.tek
 - scale.tek
 - skymap.tek
 - skymap2.tek
 - usmap.tek
- profiler
 - Logs
 - profile_logfile.GccO3
 - profile_logfile.GzipO3
 - ProfileClient
 - ProfileClient.c
 - ProfileClient_Makefile
 - ProfileServer
 - ProfileServer.c
 - ProfileServer_DefineEvents.c
 - ProfileServer_Makefile
 - profile_logfile.txt
- serial
 - .nfs00195ca900000006
 - ALLPowers
 - ALLPowers.c
 - ALLPowers_Makefile
 - CLIENT_BAKS
 - PowerClient
 - PowerClient.c
 - PowerClient.c.BAK
 - PowerClient_AreaBased
 - PowerClient_AreaBased.c
 - PowerClient_AreaBased_Makefile
 - PowerClient_Makefile
 - PowerClient_Makefile.BAK
 - PowerClientv1
 - PowerClientv1.c
 - PowerClientv1_Makefile
 - PowerClientv2
 - PowerClientv2.c
 - PowerClientv2_Makefile
 - PowerClientv3
 - PowerClientv3.c
 - PowerClientv3_Makefile
 - DMMserial
 - DMMserial.c
 - DMMserial_Makefile
 - GIF_PowerClientv1
 - GIF_PowerClientv1.c
 - GIF_PowerClientv1_Makefile
 - GIF_PowerPlotter
 - GIF_PowerPlotter.c
 - GIF_PowerPlotter_Makefile
 - METER_BAKS
 - PowerMeter
 - PowerMeter.c
 - PowerMeter_Makefile
 - PowerPlotter
 - PowerPlotter-working0409.c
 - PowerPlotter-working0409_Makefile
 - PowerPlotter.c
 - PowerPlotter.c.BAK
 - PowerPlotter_Makefile
 - PowerPlotter_Makefile.BAK
 - PowerClient
 - PowerClient.c
 - PowerClient.c.BAK
 - PowerClient_AreaBased
 - PowerClient_AreaBased.c

- PowerClient_AreaBased_Makefile
- PowerClient_Makefile
- PowerClient_Makefile.BAK
- PowerClientv1
- PowerClientv1.c
- PowerClientv1_Makefile
- PowerClientv2
- PowerClientv2.c
- PowerClientv2_Makefile
- PowerClientv3
- PowerClientv3.c
- PowerClientv3_Makefile
- PowerLogs
 - power_logfile.AmmpO3
 - power_logfile.ArtO3
 - power_logfile.Bzip2O3
 - power_logfile.CraftyO3
 - power_logfile.EquakeO3
 - power_logfile.GapO3
 - power_logfile.GccO3
 - power_logfile.GzipO3
 - power_logfile.McfO3
 - power_logfile.MesaO3
 - power_logfile.ParserO3
 - power_logfile.TwofO3
 - power_logfile.VortexO3
 - power_logfile.VprO3
 - power_logfile.common1
 - power_logfile.common2
 - power_logfile_conventional.xls
- PowerMeter
- PowerMeter.c
- PowerMeter_Makefile
- PowerPlotter
- PowerPlotter-working0409.c
- PowerPlotter-working0409_Makefile
- PowerPlotter.c
- PowerPlotter.c.BAK
- PowerPlotter_Makefile
- PowerPlotter_Makefile.BAK
- SimilarityMatrix
- SimilarityMatrix.c
- SimilarityMatrix_Makefile
- client_bar.gif
- client_plot.gif
- gziplog.c
- plotter.gif
- results
 - P4.txt
 - PowerLines
 - P2line1.xls
 - p1line7
 - p1line7.xls
 - p1lines11_12_23
 - p1lines11_12_23.xls
 - p1lines1_3_6_18_19_20_22
 - p1lines1_3_6_18_19_20_22.xls
 - p2line1
 - p2line14
 - p2line14.xls
 - p2line3
 - p2line3.xls
 - p2line7
 - p2line7.xls
 - p2line9
 - p2line9.xls
 - SPEC
 - SPECINT_Optimizations.xls
 - gcc_O0
 - gcc_O1
 - gcc_O2
 - gcc_O3
 - gcc_O3unroll
 - gcc_O3unrollALL
 - gcc_Optimizations.xls
 - gcc_manual
 - gcc_run
 - gcc_validate
 - gcc_validate_run_manual.xls
 - gzip_O0

- _____gzip_O1
- _____gzip_O2
- _____gzip_O3
- _____gzip_O3unroll
- _____gzip_O3unrollALL
- _____gzip_Optimizations.xls
- _____vpr_O0
- _____vpr_O1
- _____vpr_O2
- _____vpr_O3
- _____vpr_O3unroll
- _____vpr_O3unrollALL
- _____vpr_Optimizations.xls
- _____vpr_manual
- _____vpr_run
- _____vpr_validate
- _____vpr_validate_run_manual.xls
- _____clamp
- _____clamp_grep
- _____gzip
- _____gzip.xls
- _____p1line7
- _____p1lines11_12_23
- _____p1lines1_3_6_18_19_20_22
- _____shunt
- _____shunt_grep
- _____shuntvsclamp.xls
- _____shuntvsclamp_grep.xls
- _____yong
- _____yong.xls
- _____socket
 - _____Makefile_client
 - _____Makefile_client.BAK
 - _____Makefile_server
 - _____Makefile_server.BAK
 - _____probe-server.c
 - _____simpleclient
 - _____simpleclient.c
 - _____simpleclient.c.BAK
 - _____simpleclient.o
 - _____simpleserver
 - _____simpleserver.c
 - _____simpleserver.c.BAK
- _____wrmsr_rdmsr
- _____ELE580i
 - _____nautilus-metafile.xml
 - _____HW_arch1.pdf
 - _____HW_arch2.pdf
 - _____HW_arch3.pdf
 - _____HW_arch4.ps
 - _____HW_arch5.pdf
 - _____HWmicroArch_presentation-1.ppt
 - _____SendtoPeh
 - _____ELE580i_finalpaper.doc
 - _____ELE580i_finalpaper.pdf
 - _____presentation-2.ppt
 - _____Vassos_routing
 - _____alpha21364.pdf
 - _____ele580present_vss.pdf
 - _____problem_set.pdf
 - _____singh_spaa2002.pdf
 - _____spiderchip.pdf
 - _____book.pdf
 - _____class_info.pdf
 - _____deadlock_paper.pdf
 - _____fault
 - _____sil1.pdf
 - _____sil2.ps
 - _____me_HWmicroarch
 - _____HW_arch4.pdf
 - _____HW_arch5.pdf
 - _____HWmicroArch_presentation-1.ppt
 - _____IBM_SP2_hiPerf_switch.pdf
 - _____alpha21364.pdf
 - _____book.pdf
 - _____presentation-1.ppt
 - _____presentation-2.ppt
 - _____presentation-2.ppt.BAK
 - _____project
 - _____DCAM_Router_TCAS_98.pdf

- stallion_layout.pdf
- xuning_network_interface
- SHRIMP.pdf
- comp98.ps
- networkinterface.pdf
- qns.rtf
- xuning_answers.doc

HATTRICK

- h_training_en.asp
- h_training_en.zip

INSTALL

Jgraph

Examples

- axis.eps
- axis.jgr
- bar.eps
- bar.jgr
- bar2.jgr
- bar3.jgr
- bar4.jgr
- bar5.jgr
- computer_black.eps
- computer_black.jgr
- computer_blue.eps
- computer_blue.jgr
- computer_red.eps
- computer_red.jgr
- computer_yellow.eps
- computer_yellow.jgr
- copygraph.eps
- copygraph.jgr
- copygraph.pdf
- copygraph.ps
- curve.eps
- curve.jgr
- curve.pdf
- curve.ps
- custom_axes.eps
- custom_axes.jgr
- custom_axes.pdf
- custom_axes.ps
- ex1.eps
- ex1.jgr
- ex2.eps
- ex2.jgr
- ex22.eps
- ex22.jgr
- football.eps
- football.jgr
- heart.eps
- heart.jgr
- hlabels.eps
- hlabels.jgr
- legend1.eps
- legend1.jgr
- legend2.eps
- legend2.jgr
- mab2.times
- multigraphs.eps
- multigraphs.jgr
- multigraphs.pdf
- multigraphs.ps
- multigraphs2.eps
- multigraphs2.pdf
- multigraphs2.ps
- poly.eps
- poly.jgr
- string.eps
- string.jgr
- text.jgr
- text.pdf
- text.ps
- tree_like.jgr
- using_eps_as_marker.eps
- using_eps_as_marker.jgr

- convert_one

- create

- j

- jALL

- jp

lecture.html

russ

- README
- ilp2t1-cdg-0-10M.out
- ilp2t1-cdg-1-10M.out
- ilp2t1-cdg-2-10M.out
- ilp2t1-pdg-0-10M.out
- ilp2t1-pdg-1-10M.out
- ilp2t1-pdg-2-10M.out
- ilp2t2-cdg-0-10M.out
- ilp2t2-cdg-1-10M.out
- ilp2t2-cdg-2-10M.out
- ilp2t2-pdg-0-10M.out
- ilp2t2-pdg-1-10M.out
- ilp2t2-pdg-2-10M.out
- ilp2t3-cdg-0-10M.out
- ilp2t3-cdg-1-10M.out
- ilp2t3-cdg-2-10M.out
- ilp2t3-pdg-0-10M.out
- ilp2t3-pdg-1-10M.out
- ilp2t3-pdg-2-10M.out
- ilp4t1-cdg-0-10M.out
- ilp4t1-cdg-1-10M.out
- ilp4t1-cdg-2-10M.out
- ilp4t1-pdg-0-10M.out
- ilp4t1-pdg-1-10M.out
- ilp4t1-pdg-2-10M.out
- ilp4t2-cdg-0-10M.out
- ilp4t2-cdg-1-10M.out
- ilp4t2-cdg-2-10M.out
- ilp4t2-pdg-0-10M.out
- ilp4t2-pdg-1-10M.out
- ilp4t2-pdg-2-10M.out
- ilp4t3-cdg-0-10M.out
- ilp4t3-cdg-1-10M.out
- ilp4t3-cdg-2-10M.out
- ilp4t3-pdg-0-10M.out
- ilp4t3-pdg-1-10M.out
- ilp4t3-pdg-2-10M.out
- mem2t1-cdg-0-10M.out
- mem2t1-cdg-1-10M.out
- mem2t1-cdg-2-10M.out
- mem2t1-pdg-0-10M.out
- mem2t1-pdg-1-10M.out
- mem2t1-pdg-2-10M.out
- mem2t2-cdg-0-10M.out
- mem2t2-cdg-1-10M.out
- mem2t2-cdg-2-10M.out
- mem2t2-pdg-0-10M.out
- mem2t2-pdg-1-10M.out
- mem2t2-pdg-2-10M.out
- mem2t3-cdg-0-10M.out
- mem2t3-cdg-1-10M.out
- mem2t3-cdg-2-10M.out
- mem2t3-pdg-0-10M.out
- mem2t3-pdg-1-10M.out
- mem2t3-pdg-2-10M.out
- mem4t1-cdg-0-10M.out
- mem4t1-cdg-1-10M.out
- mem4t1-cdg-2-10M.out
- mem4t1-pdg-0-10M.out
- mem4t1-pdg-1-10M.out
- mem4t1-pdg-2-10M.out
- mem4t2-cdg-0-10M.out
- mem4t2-cdg-1-10M.out
- mem4t2-cdg-2-10M.out
- mem4t2-pdg-0-10M.out
- mem4t2-pdg-1-10M.out
- mem4t2-pdg-2-10M.out
- mem4t3-cdg-0-10M.out
- mem4t3-cdg-1-10M.out
- mem4t3-cdg-2-10M.out
- mem4t3-pdg-0-10M.out
- mem4t3-pdg-1-10M.out
- mem4t3-pdg-2-10M.out
- mix2t1-cdg-0-10M.out
- mix2t1-cdg-1-10M.out
- mix2t1-cdg-2-10M.out
- mix2t1-pdg-0-10M.out
- mix2t1-pdg-1-10M.out

- mix2t1-pdg-2-10M.out
- mix2t2-cdg-0-10M.out
- mix2t2-cdg-1-10M.out
- mix2t2-cdg-2-10M.out
- mix2t2-pdg-0-10M.out
- mix2t2-pdg-1-10M.out
- mix2t2-pdg-2-10M.out
- mix2t3-cdg-0-10M.out
- mix2t3-cdg-1-10M.out
- mix2t3-cdg-2-10M.out
- mix2t3-pdg-0-10M.out
- mix2t3-pdg-1-10M.out
- mix2t3-pdg-2-10M.out
- mix2t4-cdg-0-10M.out
- mix2t4-cdg-1-10M.out
- mix2t4-cdg-2-10M.out
- mix2t4-pdg-0-10M.out
- mix2t4-pdg-1-10M.out
- mix2t4-pdg-2-10M.out
- mix2t5-cdg-0-10M.out
- mix2t5-cdg-1-10M.out
- mix2t5-cdg-2-10M.out
- mix2t5-pdg-0-10M.out
- mix2t5-pdg-1-10M.out
- mix2t5-pdg-2-10M.out
- mix2t6-cdg-0-10M.out
- mix2t6-cdg-1-10M.out
- mix2t6-cdg-2-10M.out
- mix2t6-pdg-0-10M.out
- mix2t6-pdg-1-10M.out
- mix2t6-pdg-2-10M.out
- mix4t1-cdg-0-10M.out
- mix4t1-cdg-1-10M.out
- mix4t1-cdg-2-10M.out
- mix4t1-pdg-0-10M.out
- mix4t1-pdg-1-10M.out
- mix4t1-pdg-2-10M.out
- mix4t2-cdg-0-10M.out
- mix4t2-cdg-1-10M.out
- mix4t2-cdg-2-10M.out
- mix4t2-pdg-0-10M.out
- mix4t2-pdg-1-10M.out
- mix4t2-pdg-2-10M.out
- mix4t3-cdg-0-10M.out
- mix4t3-cdg-1-10M.out
- mix4t3-cdg-2-10M.out
- mix4t3-pdg-0-10M.out
- mix4t3-pdg-1-10M.out
- mix4t3-pdg-2-10M.out
- plot-ipc-bar
- plot_reconstructed.pl
- x.eps
- x.jgr
- x.pdf
- x.ps
- scripts
 - j
 - jp
 - txt2jgr
- LINUXhelp
- LINUXhelp.save
- MP3
 - .nautilus-metafile.xml
- MY_WHOLE_FILESYSTEM_19Nov2003
- MYdirectory.ps
- Perl_regular_expressions.pdf
- Real.Women.Have.Curves.2002.English.DMT.srt
- SCRIPTS
 - dirtree.pl
 - j
 - jALL
 - jp
 - plot_reconstructed.pl
 - plot_reconstructed.pl_PRINTS_TO_STD_OUT
 - research_script
 - research_script2
 - txt2jgr
- SPEC_help
- SimpleScalar
 - simplesim-3.0

- ___ 00CHANGES
- ___ ANNOUNCE
- ___ CANT_howtorun
- ___ CONTRIBUTORS
- ___ COPYING
- ___ FAQ
- ___ Makefile
- ___ Makefile.original
- ___ PROJECTS
- ___ README
- ___ README.cheetah
- ___ README.decstation
- ___ README.eio
- ___ README.hpux
- ___ README.linux-alpha
- ___ README.port
- ___ README.retargent
- ___ README.sim-inorder
- ___ README.winnt
- ___ TODO
- ___ WARRANTY
- ___ aaa.sim
- ___ aab.sim
- ___ bitmap.h
- ___ bpred.c
- ___ bpred.h
- ___ bpred.o
- ___ cache.c
- ___ cache.h
- ___ cache.o
- ___ cant
 - ___ CANT_howtorun
 - ___ CANT_howtorun2
 - ___ cant-printf
 - ___ dcache.c
 - ___ dcache.out
 - ___ dcache_arch.cfg
 - ___ test1.c
 - ___ test1.out
 - ___ test1_arch.cfg
 - ___ test2.c
 - ___ test2.out
- ___ config
 - ___ default.cfg
 - ___ regress.cfg
 - ___ relax.cfg
- ___ config.h → target-alpha/config.h
- ___ contrib
 - ___ klauser.config
 - ___ skadron.furecover
 - ___ skadron.noDcache
 - ___ skadron.nol-cache
 - ___ skadron.perfcache
 - ___ skadron.scheduler
 - ___ skadron.unifiedTLB
- ___ dlite.c
- ___ dlite.h
- ___ dlite.o
- ___ eio.c
- ___ eio.h
- ___ eio.o
- ___ endian.c
- ___ endian.h
- ___ endian.o
- ___ ev56-bwx.diff
- ___ eval.c
- ___ eval.h
- ___ eval.o
- ___ eventq.c
- ___ eventq.h
- ___ fixed
- ___ hack_guide.pdf
- ___ hack_guide.ps
- ___ host.h
- ___ libcheetah
 - ___ COPYRIGHT
 - ___ MODS
 - ___ Makefile
 - ___ README
 - ___ VERSION

- cheetah.l
- dmv1.c
- dmv1.o
- faclru.c
- faclru.o
- facopt.c
- facopt.o
- libcheetah.a
- libcheetah.c
- libcheetah.h
- libcheetah.o
- ppopr.c
- ppopr.o
- saclru.c
- saclru.o
- sacopt.c
- sacopt.o
- util.c
- util.h
- util.o
- libexo
- FOO.exo
- FOO.exo.gz
- FOO1.exo
- FOOBAR.exo
- FOOBAR1.exo
- Makefile
- exo-test.c
- exolex.c
- exolex.l
- exolex.o
- libexo.a
- libexo.c
- libexo.h
- libexo.o
- loader.c → target-alpha/loader.c
- loader.h
- loader.o
- machine.c → target-alpha/alpha.c
- machine.def → target-alpha/alpha.def
- machine.h → target-alpha/alpha.h
- machine.o
- main.c
- main.o
- memory.c
- memory.h
- memory.o
- misc.c
- misc.h
- misc.o
- options.c
- options.h
- options.o
- pipeview.pl
- printf.sim
- ptrace.c
- ptrace.h
- ptrace.o
- range.c
- range.h
- range.o
- redir.bash
- redir.sh
- regs.c
- regs.h
- regs.o
- resource.c
- resource.h
- resource.o
- sim-bpred
- sim-bpred.c
- sim-bpred.o
- sim-cache
- sim-cache.c
- sim-cache.o
- sim-cheetah
- sim-cheetah.c
- sim-cheetah.o
- sim-eio
- sim-eio.c

```

—— sim-eio.o
—— sim-fast
—— sim-fast.c
—— sim-fast.o
—— sim-outorder
—— sim-outorder.c
—— sim-outorder.o
—— sim-profile
—— sim-profile.c
—— sim-profile.o
—— sim-safe
—— sim-safe.c
—— sim-safe.o
—— sim.h
—— stats.c
—— stats.h
—— stats.o
—— symbol.c → target-alpha/symbol.c
—— symbol.h
—— symbol.o
—— syscall.c → target-alpha/syscall.c
—— syscall.h
—— syscall.o
—— sysprobe
—— sysprobe.c
—— target-alpha
——   alpha.c
——   alpha.def
——   alpha.h
——   config.h
——   ecoff.h
——   loader.c
——   symbol.c
——   syscall.c
—— target-pisa
——   config.h
——   configbig.h
——   configlit.h
——   ecoff.h
——   loader.c
——   pisa.c
——   pisa.def
——   pisa.h
——   symbol.c
——   syscall.c
—— test-printf
—— test-printf_Sim-outorder_results
—— test.txt
—— tests → tests-alpha
—— tests-alpha
——   Makefile
——   bin
——     anagram
——     test-args
——     test-dirent
——     test-fmath
——     test-llong
——     test-lswlr
——     test-math
——     test-printf
——   eio
——     anagram.eio
——     test-fmath.eio
——     test-llong.eio
——     test-lswlr.eio
——     test-math.eio
——     test-printf.eio
——   inputs
——     input.txt
——     words
——   outputs
——     anagram.progout
——     anagram.simout
——     test-fmath.progout
——     test-fmath.simout
——     test-llong.progout
——     test-llong.simout
——     test-lswlr.progout
——     test-lswlr.simout
——     test-math.progout

```

- test-math.simout
- test-printf.progout
- test-printf.simout

- results

- anagram.eio-progout
- anagram.eio-simout
- anagram.progout
- anagram.simout
- dummy.out
- test-fmath.eio-progout
- test-fmath.eio-simout
- test-fmath.progout
- test-fmath.simout
- test-llong.eio-progout
- test-llong.eio-simout
- test-llong.progout
- test-llong.simout
- test-lswlr.eio-progout
- test-lswlr.eio-simout
- test-lswlr.progout
- test-lswlr.simout
- test-math.eio-progout
- test-math.eio-simout
- test-math.progout
- test-math.simout
- test-printf.eio-progout
- test-printf.eio-simout
- test-printf.progout
- test-printf.simout

- src

- Makefile
- anagram.c
- test-dirent.c
- test-fmath.c
- test-llong.c
- test-lswlr.c
- test-math.c
- test-printf.c

- sysprobe → ../sysprobe

- tests-pisa

- Makefile

- bin.big

- Makefile
- anagram
- test-fmath
- test-llong
- test-lswlr
- test-math
- test-printf

- bin.little

- Makefile
- anagram
- test-fmath
- test-llong
- test-lswlr
- test-math
- test-printf

- eio.big

- anagram.eio
- test-fmath.eio
- test-llong.eio
- test-lswlr.eio
- test-math.eio
- test-printf.eio

- eio.little

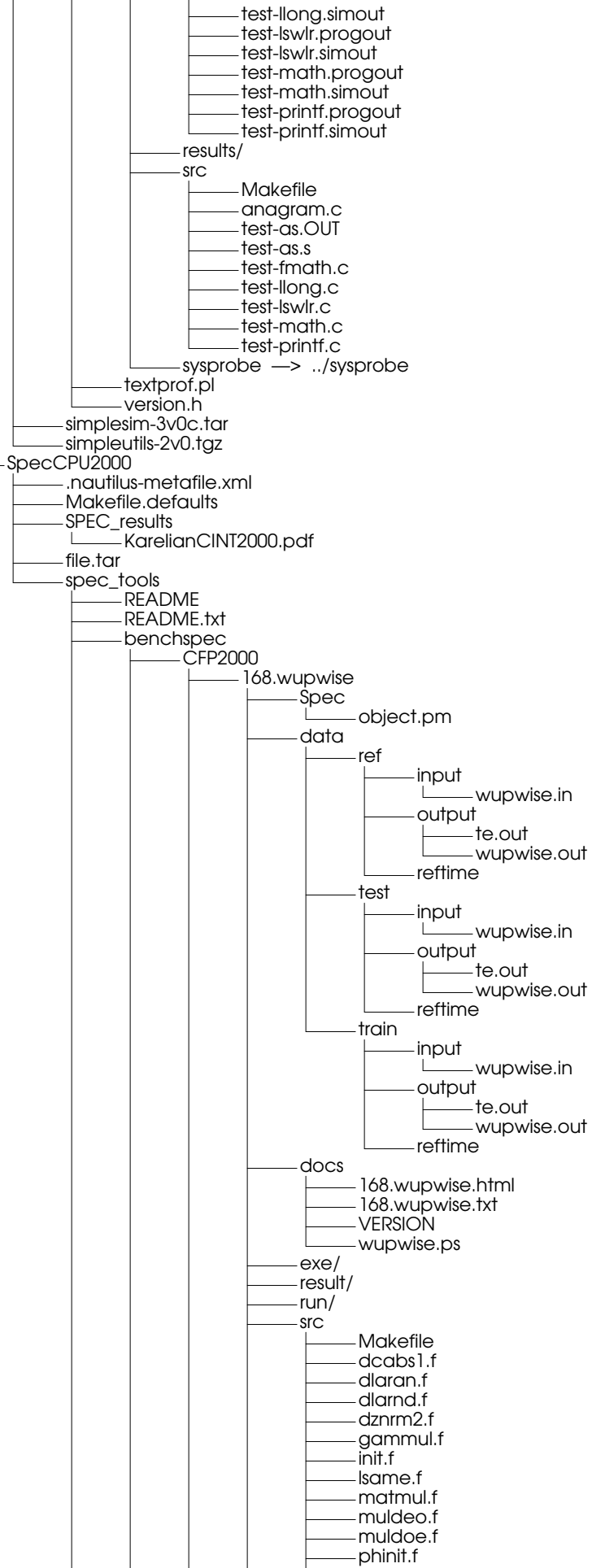
- anagram.eio
- test-fmath.eio
- test-llong.eio
- test-lswlr.eio
- test-math.eio
- test-printf.eio

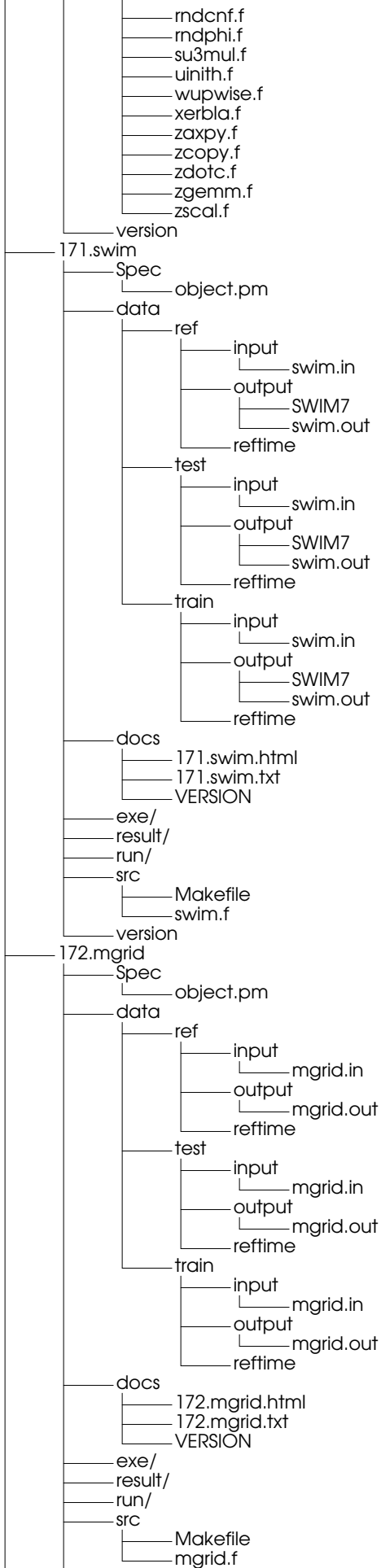
- inputs

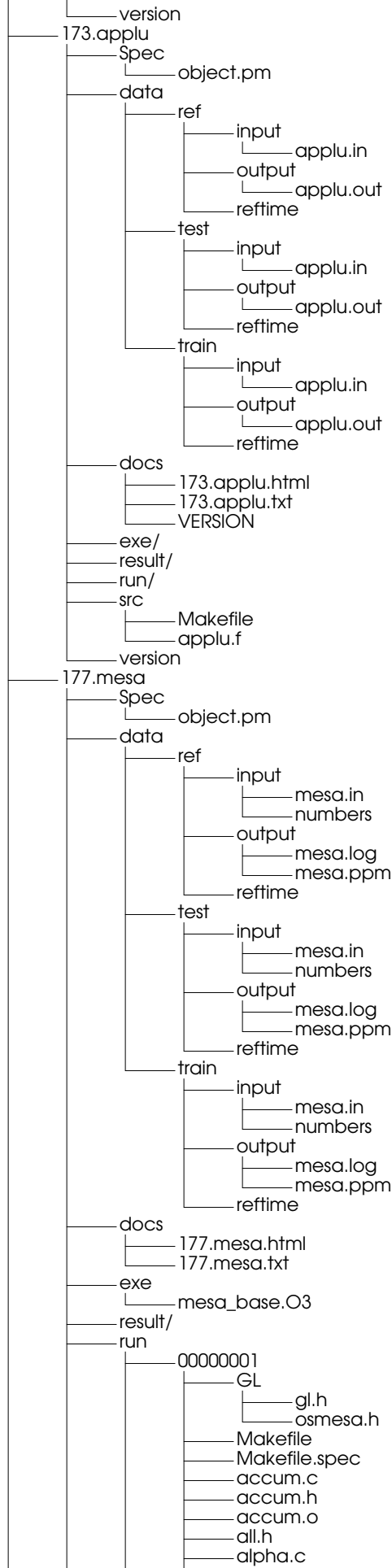
- input.txt
- words

- outputs

- anagram.progout
- anagram.simout
- test-fmath.progout
- test-fmath.simout
- test-llong.progout







alpha.h
alpha.o
alphabuf.c
alphabuf.h
alphabuf.o
api.h
api1.c
api1.o
api2.c
api2.o
attrib.c
attrib.h
attrib.o
bitmap.c
bitmap.h
bitmap.o
blend.c
blend.h
blend.o
clip.c
clip.h
clip.o
colors.h
colortab.c
colortab.h
colortab.o
config.h
context.c
context.h
context.o
copypix.c
copypix.h
copypix.o
dd.h
depth.c
depth.h
depth.o
dlist.c
dlist.h
dlist.o
drawpix.c
drawpix.h
drawpix.o
enable.c
enable.h
enable.o
eval.c
eval.h
eval.o
feedback.c
feedback.h
feedback.o
fixed.h
fog.c
fog.h
fog.o
get.c
get.h
get.o
hash.c
hash.h
hash.o
image.c
image.h
image.o
light.c
light.h
light.o
lines.c
lines.h
lines.o
linetemp.h
logic.c
logic.h
logic.o
macros.h
make.err
make.out
makefile.vms
makemesh.c

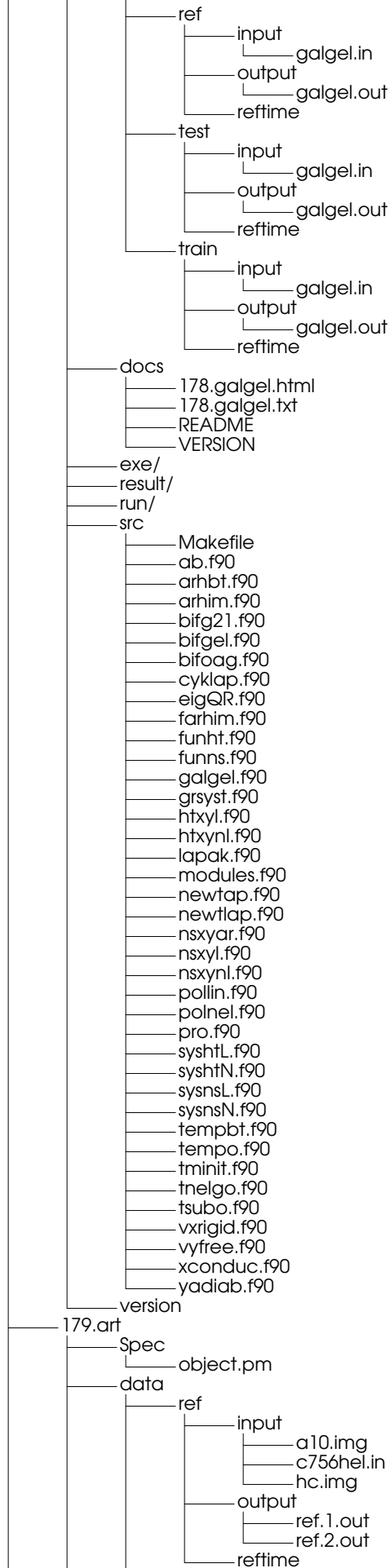
— masking.c
— masking.h
— masking.o
— matrix.c
— matrix.h
— matrix.o
— mesa
— mesa3.c
— mesa4.c
— mesa4.o
— misc.c
— misc.h
— misc.o
— mmath.c
— mmath.h
— mmath.o
— options.err
— options.out
— osmesa.c
— osmesa.o
— pb.c
— pb.h
— pb.o
— pixel.c
— pixel.h
— pixel.o
— pointers.c
— pointers.h
— pointers.o
— points.c
— points.h
— points.o
— polygon.c
— polygon.h
— polygon.o
— quads.c
— quads.h
— quads.o
— rastpos.c
— rastpos.h
— rastpos.o
— readpix.c
— readpix.h
— readpix.o
— rect.c
— rect.h
— rect.o
— scissor.c
— scissor.h
— scissor.o
— shade.c
— shade.h
— shade.o
— span.c
— span.h
— span.o
— stencil.c
— stencil.h
— stencil.o
— stereo.h
— teximage.c
— teximage.h
— teximage.o
— texobj.c
— texobj.h
— texobj.o
— texstate.c
— texstate.h
— texstate.o
— texture.c
— texture.h
— texture.o
— triangle.c
— triangle.h
— triangle.o
— tritemp.h
— types.h
— varray.c
— varray.h
— varray.o

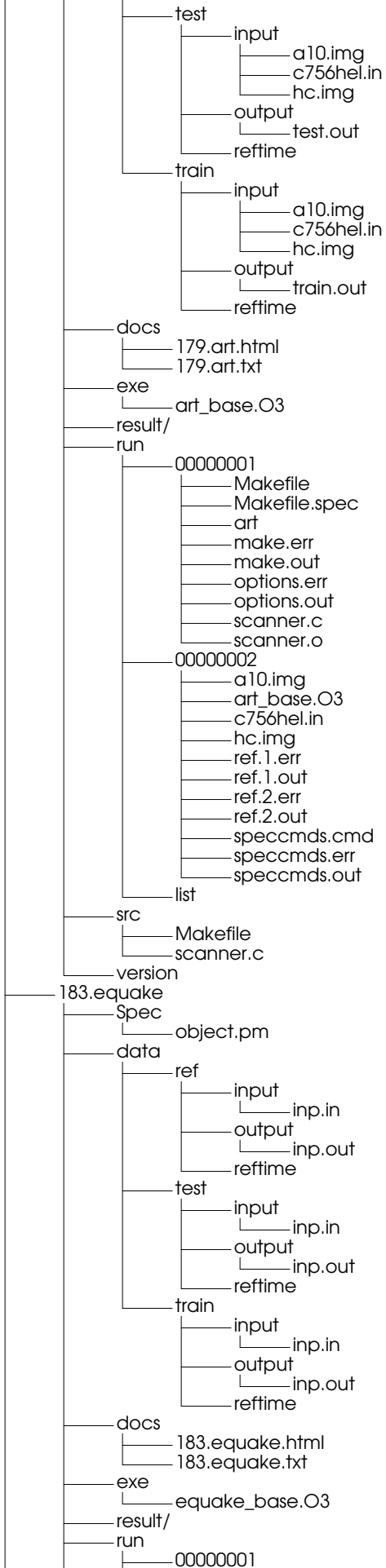
- vb.c
- vb.h
- vb.o
- vbfll.c
- vbfll.h
- vbfll.o
- vbrender.c
- vbrender.h
- vbrender.o
- vbxform.c
- vbxform.h
- vbxform.o
- winpos.c
- winpos.h
- winpos.o
- xform.c
- xform.h
- xform.o
- 00000002
- mesa.in
- mesa.log
- mesa.ppm
- mesa_base.O3
- numbers
- speccmds.cmd
- speccmds.err
- speccmds.out
- list

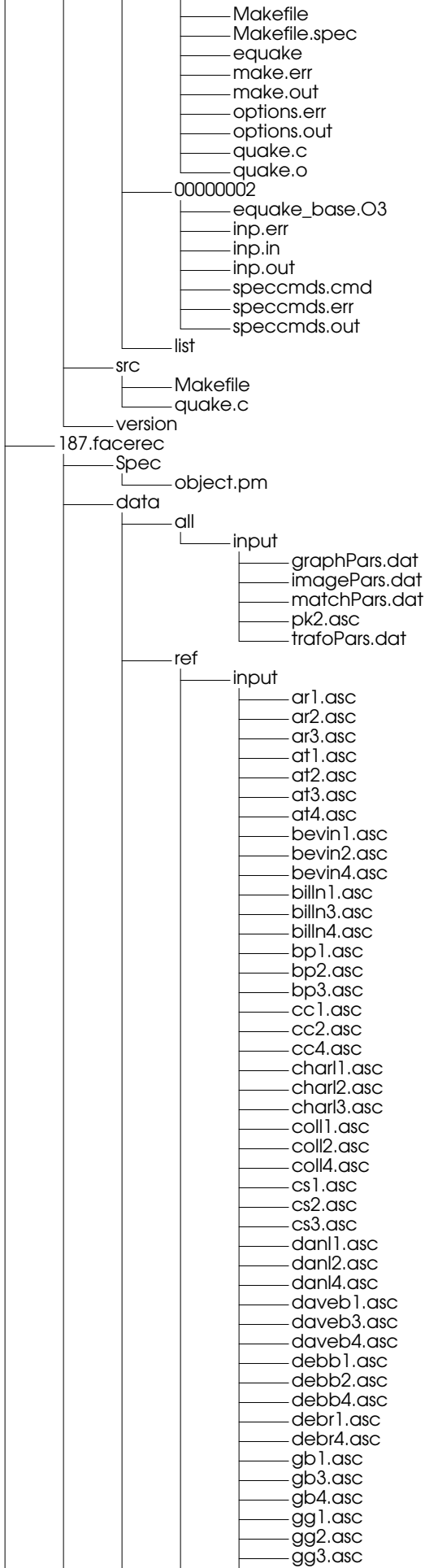
src

- GL
 - gl.h
 - osmesa.h
- Makefile
- accum.c
- accum.h
- all.h
- alpha.c
- alpha.h
- alphabuf.c
- alphabuf.h
- api.h
- api1.c
- api2.c
- attrib.c
- attrib.h
- bitmap.c
- bitmap.h
- blend.c
- blend.h
- clip.c
- clip.h
- colors.h
- colortab.c
- colortab.h
- config.h
- context.c
- context.h
- cospix.c
- cospix.h
- dd.h
- depth.c
- depth.h
- dlist.c
- dlist.h
- drawpix.c
- drawpix.h
- enable.c
- enable.h
- eval.c
- eval.h
- feedback.c
- feedback.h
- fixed.h
- fog.c
- fog.h
- get.c
- get.h
- hash.c
- hash.h
- image.c

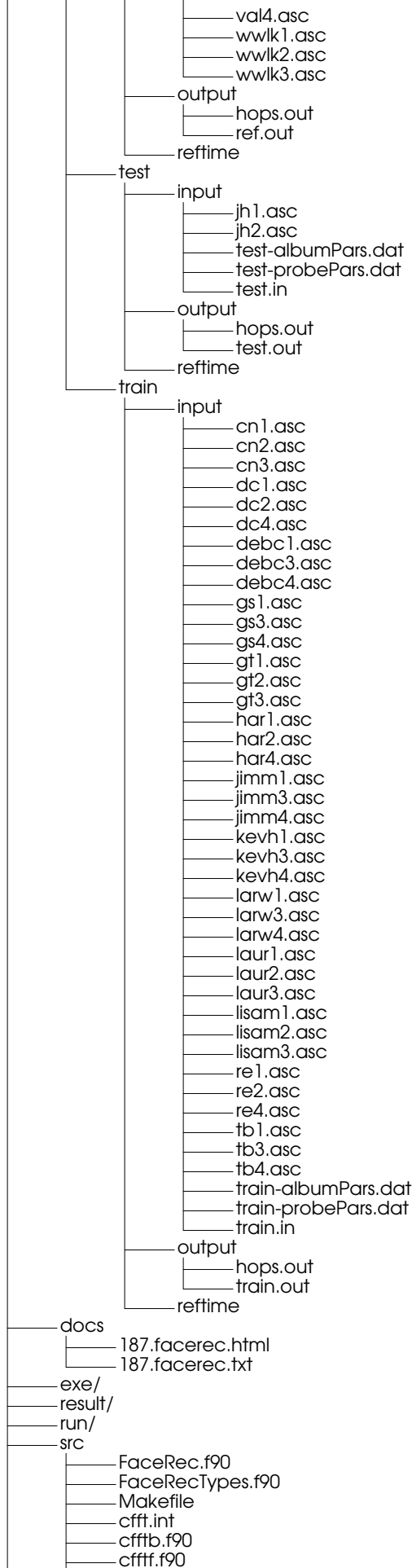
- image.h
- light.c
- light.h
- lines.c
- lines.h
- linetemp.h
- logic.c
- logic.h
- macros.h
- makefile.vms
- makemesh.c
- masking.c
- masking.h
- matrix.c
- matrix.h
- mesa3.c
- mesa4.c
- misc.c
- misc.h
- mmath.c
- mmath.h
- osmesa.c
- pb.c
- pb.h
- pixel.c
- pixel.h
- pointers.c
- pointers.h
- points.c
- points.h
- polygon.c
- polygon.h
- quads.c
- quads.h
- rastpos.c
- rastpos.h
- readpix.c
- readpix.h
- rect.c
- rect.h
- scissor.c
- scissor.h
- shade.c
- shade.h
- span.c
- span.h
- stencil.c
- stencil.h
- stereo.h
- teximage.c
- teximage.h
- texobj.c
- texobj.h
- texstate.c
- texstate.h
- texture.c
- texture.h
- triangle.c
- triangle.h
- tritemp.h
- types.h
- varray.c
- varray.h
- vb.c
- vb.h
- vbfll.c
- vbfll.h
- vbrender.c
- vbrender.h
- vbxform.c
- vbxform.h
- winpos.c
- winpos.h
- xform.c
- xform.h
- version
- 178.galgel
- Spec
- object.pm
- data







— grt1.asc
— grt2.asc
— grt3.asc
— jan1.asc
— jan3.asc
— jan5.asc
— jd1.asc
— jd2.asc
— jd3.asc
— jh1.asc
— jh3.asc
— jh4.asc
— johnp1.asc
— johnp2.asc
— johnp3.asc
— johnp4.asc
— jp1.asc
— jp2.asc
— jp4.asc
— js1.asc
— js2.asc
— kent1.asc
— kent2.asc
— kent3.asc
— kp1.asc
— kp3.asc
— ks1.asc
— ks3.asc
— ks4.asc
— lion1.asc
— lion2.asc
— lion4.asc
— lisa1.asc
— lisa3.asc
— lisa4.asc
— lor1.asc
— lor3.asc
— lor4.asc
— lorn1.asc
— lorn2.asc
— lorn3.asc
— marb1.asc
— marb2.asc
— marb3.asc
— marb4.asc
— mark1.asc
— mark2.asc
— mark3.asc
— pe1.asc
— pe2.asc
— pe3.asc
— peter1.asc
— peter3.asc
— peter4.asc
— pk1.asc
— pk3.asc
— pk4.asc
— rae1.asc
— rae2.asc
— rae4.asc
— rb1.asc
— rb2.asc
— rb3.asc
— ref-albumPars.dat
— ref-probePars.dat
— ref.in
— richg1.asc
— richg2.asc
— richg4.asc
— roland1.asc
— roland3.asc
— roland4.asc
— rw1.asc
— rw3.asc
— rw4.asc
— ts1.asc
— ts3.asc
— ts4.asc
— val1.asc
— val3.asc



```

    cffti.f90
    decode_256
    encode
    fft2d.f90
    gaborRoutines.f90
    graphRoutines.f90
    imageRoutines.f90
    parameterRoutines.f90
  version
188.amp
  Spec
    object.pm
  data
    ref
      input
        all.init.amp
        ammp.in
        init_cond.run.1
        init_cond.run.2
        init_cond.run.3
      output
        ammp.out
      reftime
    test
      input
        all.init.amp
        ammp.in
        short.tether
      output
        ammp.out
      reftime
    train
      input
        all.new.amp
        ammp.in
        new.tether
      output
        ammp.out
      reftime
  docs
    188.amp.html
    188.amp.txt
  exe
    ammp_base.O3
  result/
  run
    00000001
    Makefile
    Makefile.spec
    ammp
    ammp.c
    ammp.h
    ammp.o
    analyze.c
    analyze.o
    angle.c
    angle.o
    animate.c
    animate.o
    anonbon.c
    anonbon.o
    atoms.c
    atoms.o
    bonds.c
    bonds.o
    box.c
    box.o
    eval.c
    eval.o
    graceless.h
    gsdg.c
    gsdg.o
    hybrid.c
    hybrid.o
    make.err
    make.out
    math.c
    math.o
    mom.c
    mom.o

```

```

—— monitor.c
—— monitor.o
—— noel.c
—— noel.o
—— numeric.h
—— optimist.c
—— optimist.o
—— options.err
—— options.out
—— random.c
—— random.o
—— rectmm.c
—— rectmm.o
—— restrain.c
—— restrain.o
—— significance.c
—— significance.o
—— tailor.c
—— tailor.o
—— tether.c
—— tether.o
—— tgroup.c
—— tgroup.o
—— torsion.c
—— torsion.o
—— tset.c
—— tset.o
—— unonbon.c
—— unonbon.o
—— variable.c
—— variable.o
—— vnonbon.c
—— vnonbon.o
—— 00000002
—— all.init.ammp
—— ammp.err
—— ammp.in
—— ammp.out
—— ammp_base.O3
—— init_cond.run.1
—— init_cond.run.2
—— init_cond.run.3
—— speccmds.cmd
—— speccmds.err
—— speccmds.out

```

```

—— list

```

```

src

```

```

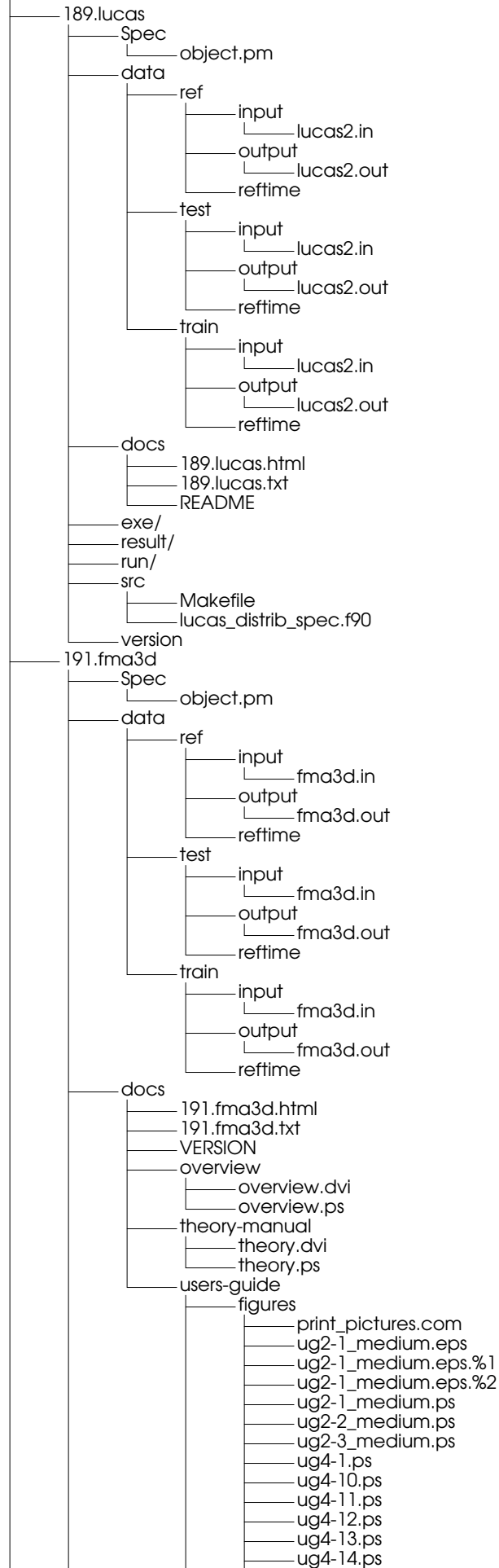
—— Makefile
—— ammp.c
—— ammp.h
—— analyze.c
—— angle.c
—— animate.c
—— anonbon.c
—— atoms.c
—— bonds.c
—— box.c
—— eval.c
—— graceless.h
—— gsdg.c
—— hybrid.c
—— math.c
—— mom.c
—— monitor.c
—— noel.c
—— numeric.h
—— optimist.c
—— random.c
—— rectmm.c
—— restrain.c
—— significance.c
—— tailor.c
—— tether.c
—— tgroup.c
—— torsion.c
—— tset.c
—— unonbon.c
—— variable.c
—— vnonbon.c

```

```

—— version

```



```

      |_____ ug4-15.ps
      |_____ ug4-16.ps
      |_____ ug4-17.ps
      |_____ ug4-18.ps
      |_____ ug4-20.ps
      |_____ ug4-21.ps
      |_____ ug4-22.ps
      |_____ ug4-23.ps
      |_____ ug4-24.ps
      |_____ ug4-25.ps
      |_____ ug4-26.ps
      |_____ ug4-27.ps
      |_____ ug4-28.ps
      |_____ ug4-29.ps
      |_____ ug4-3.ps
      |_____ ug4-30.ps
      |_____ ug4-4.ps
      |_____ ug4-5.ps
      |_____ ug4-6.ps
      |_____ ug4-7.ps
      |_____ ug4-8.ps
      |_____ ug4-9.ps
      |_____ uguide.dvi
      |_____ uguide.ps
----- exe/
----- result/
----- run/
----- src
      |_____ Makefile
      |_____ aaareadme.restore
      |_____ beam.f90
      |_____ beam_.f90
      |_____ body_force_.f90
      |_____ constrained_node_.f90
      |_____ contact_node_.f90
      |_____ contact_surface_.f90
      |_____ coord_.f90
      |_____ damper.f90
      |_____ damper_.f90
      |_____ damper_bc_.f90
      |_____ displacement_bc_.f90
      |_____ element_set_.f90
      |_____ enumerated_sets_.f90
      |_____ fma1.f90
      |_____ fma2.f90
      |_____ fma3d.f90
      |_____ force_.f90
      |_____ force_bc_.f90
      |_____ gauge1d_.f90
      |_____ gauge2d_.f90
      |_____ gauge3d_.f90
      |_____ getirv.f90
      |_____ hexah.f90
      |_____ hexah_.f90
      |_____ include_file_.f90
      |_____ indx_.f90
      |_____ layering_.f90
      |_____ location_.f90
      |_____ lsold.f90
      |_____ lsold_.f90
      |_____ massprop_.f90
      |_____ material_.f90
      |_____ material_00.f90
      |_____ material_10.f90
      |_____ material_11.f90
      |_____ material_17.f90
      |_____ material_22.f90
      |_____ material_25.f90
      |_____ material_32.f90
      |_____ material_33.f90
      |_____ material_34a.f90
      |_____ material_36.f90
      |_____ material_38.f90
      |_____ material_dm.f90
      |_____ material_sp.f90
      |_____ mean_stress_.f90
      |_____ membaq.f90
      |_____ membaq_.f90
      |_____ membt.f90
      |_____ membt_.f90

```

- motion_.f90
- nodal_point_mass_.f90
- node_.f90
- node_set_.f90
- nonreflecting_bc_.f90
- nrbc_data_.f90
- output.f90
- output_.f90
- partition.f90
- pdb.f90
- penta.f90
- penta_.f90
- periodic_bc_.f90
- plate_pair_.f90
- plaq.f90
- plaq_.f90
- platt.f90
- platt_.f90
- pressure_bc_.f90
- property_.f90
- qa_record_.f90
- relink.f90
- relink_scratch_.f90
- results_.f90
- rigid_body.f90
- rigid_body_mass_.f90
- rigid_wall_bc_.f90
- section_1d_.f90
- section_2d_.f90
- segment_.f90
- segment_set_.f90
- shared_common_data.f90
- slide.f90
- sliding_interface_.f90
- sliding_node_.f90
- sort.f90
- spot_weld_.f90
- spring.f90
- spring_.f90
- spring_bc_.f90
- state_variables_.f90
- strain.f90
- stress_.f90
- tabulated_function_.f90
- tetra.f90
- tetra_.f90
- tied_bc_.f90
- truss.f90
- truss_.f90
- value_.f90
- velocity_ic_.f90

— version

— 200.sixtrack

— Spec

— object.pm

— data

— all

— input

— fort.16

— fort.2

— ref

— input

— fort.3

— fort.7

— fort.8

— inp.in

— output

— inp.out

— reftime

— test

— input

— fort.3

— fort.7

— fort.8

— inp.in

— output

— inp.out

— reftime

— train

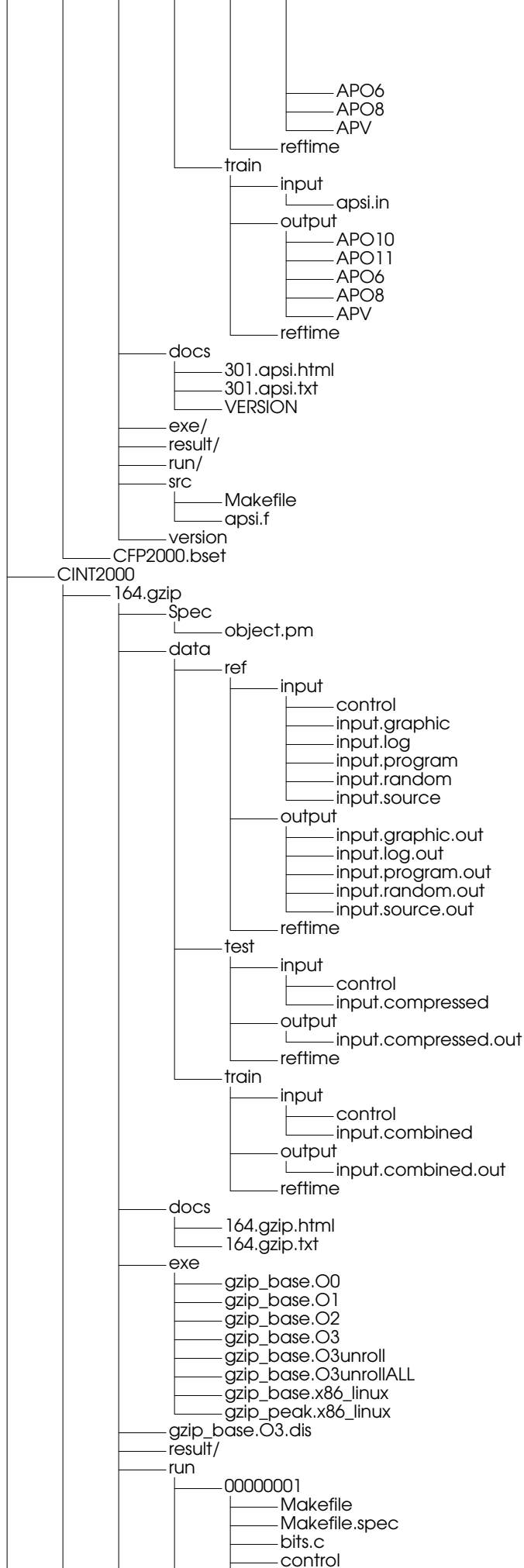
— input

- join.f
- lie6.f
- linopt.f
- loesd.f
- lostpar2.f
- lostpar3.f
- lostpart.f
- maincr.f
- mainia6.f
- matrix.f
- maxmin.f
- midbloc6.f
- mul66.f
- mywwerf.f
- orbinit.f
- ord.f
- orderma6.f
- phasad.f
- postpr.f
- putorb.f
- qmod.f
- ranecu.f
- resb6.f
- resex.f
- resl6.f
- rext6.f
- ripple.f
- rmod.f
- rotatio6.f
- search.f
- sinpro.f
- sixdaco6.f
- subre.f
- subsea.f
- sumpos.f
- synoda.f
- synuthck.f
- take6.f
- taked6.f
- thck4d.f
- thck6d.f
- thck6dua.f
- thin4d.f
- thin6d.f
- thin6dua.f
- trauthck.f
- trauthin.f
- trx6.f
- tuer6.f
- umlau6.f
- umlauf.f
- write4.f
- write6.f
- writebin.f
- writelin.f
- wzset.f
- wzsubf.f
- wzsubv.f
- xuflow.f

— version

— 301.apsi

- Spec
 - object.pm
- data
 - ref
 - input
 - apsi.in
 - output
 - APO10
 - APO11
 - APO6
 - APO8
 - APV
 - reftime
 - test
 - input
 - apsi.in
 - output
 - APO10
 - APO11



```

—— crypt.h
—— deflate.c
—— fdo_make_clean2.err
—— fdo_make_clean2.out
—— fdo_make_pass1.err
—— fdo_make_pass1.out
—— fdo_make_pass2.err
—— fdo_make_pass2.out
—— fdo_pre0.err
—— fdo_pre0.out
—— getopt.c
—— getopt.h
—— gzip.c
—— gzip.h
—— inflate.c
—— input.combined
—— input.combined.err
—— input.combined.out
—— lzw.c
—— lzw.h
—— options1.err
—— options1.out
—— options2.err
—— options2.out
—— revision.h
—— spec.c
—— speccmds.cmd
—— speccmds.err
—— speccmds.out
—— tailor.h
—— trees.c
—— unzh.c
—— unlzw.c
—— unpack.c
—— unzip.c
—— util.c
—— zip.c

```

```

—— 00000002

```

```

—— Makefile
—— Makefile.spec
—— bits.c
—— bits.o
—— crypt.h
—— deflate.c
—— deflate.o
—— getopt.c
—— getopt.h
—— getopt.o
—— gzip
—— gzip.c
—— gzip.h
—— gzip.o
—— inflate.c
—— inflate.o
—— lzw.c
—— lzw.h
—— lzw.o
—— make.err
—— make.out
—— options.err
—— options.out
—— revision.h
—— spec.c
—— spec.o
—— tailor.h
—— trees.c
—— trees.o
—— unzh.c
—— unzh.o
—— unlzw.c
—— unlzw.o
—— unpack.c
—— unpack.o
—— unzip.c
—— unzip.o
—— util.c
—— util.o
—— zip.c
—— zip.o

```

```

—— 00000003

```

- compare.cmd
- compare.err
- compare.out
- control
- gzip_base.x86_linux
- input.compressed
- input.compressed.err
- input.compressed.out
- input.compressed.out.cmp
- speccmds.cmd
- speccmds.err
- speccmds.out

00000004

- compare.cmd
- compare.err
- compare.out
- control
- gzip_base.x86_linux
- input.graphic
- input.graphic.err
- input.graphic.out
- input.graphic.out.cmp
- input.log
- input.log.err
- input.log.out
- input.log.out.cmp
- input.program
- input.program.err
- input.program.out
- input.program.out.cmp
- input.random
- input.random.err
- input.random.out
- input.random.out.cmp
- input.source
- input.source.err
- input.source.out
- input.source.out.cmp
- speccmds.cmd
- speccmds.err
- speccmds.out

00000005

- compare.cmd
- compare.err
- compare.out
- control
- gzip_peak.x86_linux
- input.graphic
- input.graphic.err
- input.graphic.out
- input.graphic.out.cmp
- input.log
- input.log.err
- input.log.out
- input.log.out.cmp
- input.program
- input.program.err
- input.program.out
- input.program.out.cmp
- input.random
- input.random.err
- input.random.out
- input.random.out.cmp
- input.source
- input.source.err
- input.source.out
- input.source.out.cmp
- speccmds.cmd
- speccmds.err
- speccmds.out

00000006

- Makefile
- Makefile.spec
- bits.c
- bits.o
- crypt.h
- deflate.c
- deflate.o
- getopt.c
- getopt.h

```

____ getopt.o
____ gzip
____ gzip.c
____ gzip.h
____ gzip.o
____ inflate.c
____ inflate.o
____ lzw.c
____ lzw.h
____ lzw.o
____ make.err
____ make.out
____ options.err
____ options.out
____ revision.h
____ spec.c
____ spec.o
____ tailor.h
____ trees.c
____ trees.o
____ unlh.c
____ unlh.o
____ unlw.c
____ unlw.o
____ unpack.c
____ unpack.o
____ unzip.c
____ unzip.o
____ util.c
____ util.o
____ zip.c
____ zip.o
00000007

```

```

____ control
____ gzip_base.O0
____ input.graphic
____ input.graphic.err
____ input.graphic.out
____ input.log
____ input.log.err
____ input.log.out
____ input.program
____ input.program.err
____ input.program.out
____ input.random
____ input.random.err
____ input.random.out
____ input.source
____ input.source.err
____ input.source.out
____ speccmds.cmd
____ speccmds.err
____ speccmds.out
00000008

```

```

____ Makefile
____ Makefile.spec
____ bits.c
____ bits.o
____ crypt.h
____ deflate.c
____ deflate.o
____ getopt.c
____ getopt.h
____ getopt.o
____ gzip
____ gzip.c
____ gzip.h
____ gzip.o
____ inflate.c
____ inflate.o
____ lzw.c
____ lzw.h
____ lzw.o
____ make.err
____ make.out
____ options.err
____ options.out
____ revision.h
____ spec.c
____ spec.o

```

- tailor.h
- trees.c
- trees.o
- unlh.c
- unlh.o
- unlw.c
- unlw.o
- unpack.c
- unpack.o
- unzip.c
- unzip.o
- util.c
- util.o
- zip.c
- zip.o

00000009

- control
- gzip_base.O1
- input.graphic
- input.graphic.err
- input.graphic.out
- input.log
- input.log.err
- input.log.out
- input.program
- input.program.err
- input.program.out
- input.random
- input.random.err
- input.random.out
- input.source
- input.source.err
- input.source.out
- speccmds.cmd
- speccmds.err
- speccmds.out

00000010

- Makefile
- Makefile.spec
- bits.c
- bits.o
- crypt.h
- deflate.c
- deflate.o
- getopt.c
- getopt.h
- getopt.o
- gzip
- gzip.c
- gzip.h
- gzip.o
- inflate.c
- inflate.o
- lzw.c
- lzw.h
- lzw.o
- make.err
- make.out
- options.err
- options.out
- revision.h
- spec.c
- spec.o
- tailor.h
- trees.c
- trees.o
- unlh.c
- unlh.o
- unlw.c
- unlw.o
- unpack.c
- unpack.o
- unzip.c
- unzip.o
- util.c
- util.o
- zip.c
- zip.o

00000011

— control

- _____gzip_base.O2
- _____input.graphic
- _____input.graphic.err
- _____input.graphic.out
- _____input.log
- _____input.log.err
- _____input.log.out
- _____input.program
- _____input.program.err
- _____input.program.out
- _____input.random
- _____input.random.err
- _____input.random.out
- _____input.source
- _____input.source.err
- _____input.source.out
- _____speccmds.cmd
- _____speccmds.err
- _____speccmds.out

00000012

- _____Makefile
- _____Makefile.spec
- _____bits.c
- _____bits.o
- _____crypt.h
- _____deflate.c
- _____deflate.o
- _____getopt.c
- _____getopt.h
- _____getopt.o
- _____gzip
- _____gzip.c
- _____gzip.h
- _____gzip.o
- _____inflate.c
- _____inflate.o
- _____lzw.c
- _____lzw.h
- _____lzw.o
- _____make.err
- _____make.out
- _____options.err
- _____options.out
- _____revision.h
- _____spec.c
- _____spec.o
- _____tailor.h
- _____trees.c
- _____trees.o
- _____unlzh.c
- _____unlzh.o
- _____unlzw.c
- _____unlzw.o
- _____unpack.c
- _____unpack.o
- _____unzip.c
- _____unzip.o
- _____util.c
- _____util.o
- _____zip.c
- _____zip.o

00000013

- _____control
- _____gzip_base.O3
- _____input.graphic
- _____input.graphic.err
- _____input.graphic.out
- _____input.log
- _____input.log.err
- _____input.log.out
- _____input.program
- _____input.random
- _____input.random.err
- _____input.random.out
- _____input.source
- _____input.source.err
- _____input.source.out
- _____speccmds.cmd
- _____speccmds.err
- _____speccmds.out

00000014

- Makefile
- Makefile.spec
- bits.c
- bits.o
- crypt.h
- deflate.c
- deflate.o
- getopt.c
- getopt.h
- getopt.o
- gzip
- gzip.c
- gzip.h
- gzip.o
- inflate.c
- inflate.o
- lzw.c
- lzw.h
- lzw.o
- make.err
- make.out
- options.err
- options.out
- revision.h
- spec.c
- spec.o
- tailor.h
- trees.c
- trees.o
- unlh.c
- unlh.o
- unlw.c
- unlw.o
- unpack.c
- unpack.o
- unzip.c
- unzip.o
- util.c
- util.o
- zip.c
- zip.o

00000015

- control
- gzip_base.O3unroll
- input.graphic
- input.graphic.err
- input.graphic.out
- input.log
- input.log.err
- input.log.out
- input.program
- input.program.err
- input.program.out
- input.random
- input.random.err
- input.random.out
- input.source
- input.source.err
- input.source.out
- speccmds.cmd
- speccmds.err
- speccmds.out

00000016

- Makefile
- Makefile.spec
- bits.c
- bits.o
- crypt.h
- deflate.c
- deflate.o
- getopt.c
- getopt.h
- getopt.o
- gzip
- gzip.c
- gzip.h
- gzip.o
- inflate.c
- inflate.o

- lzw.c
- lzw.h
- lzw.o
- make.err
- make.out
- options.err
- options.out
- revision.h
- spec.c
- spec.o
- tailor.h
- trees.c
- trees.o
- unzh.c
- unzh.o
- unzw.c
- unzw.o
- unpack.c
- unpack.o
- unzip.c
- unzip.o
- util.c
- util.o
- zip.c
- zip.o

00000017

- control
- gzip_base.O3unrollALL
- input.graphic
- input.graphic.err
- input.graphic.out
- input.log
- input.log.err
- input.log.out
- input.program
- input.program.err
- input.program.out
- input.random
- input.random.err
- input.random.out
- input.source
- input.source.err
- input.source.out
- speccmds.cmd
- speccmds.err
- speccmds.out

list

src

- Makefile
- bits.c
- crypt.h
- deflate.c
- getopt.c
- getopt.h
- gzip.c
- gzip.h
- inflate.c
- lzw.c
- lzw.h
- revision.h
- spec.c
- tailor.h
- trees.c
- unzh.c
- unzw.c
- unpack.c
- unzip.c
- util.c
- zip.c

version

175.vpr

Spec

- object.pm

data

ref

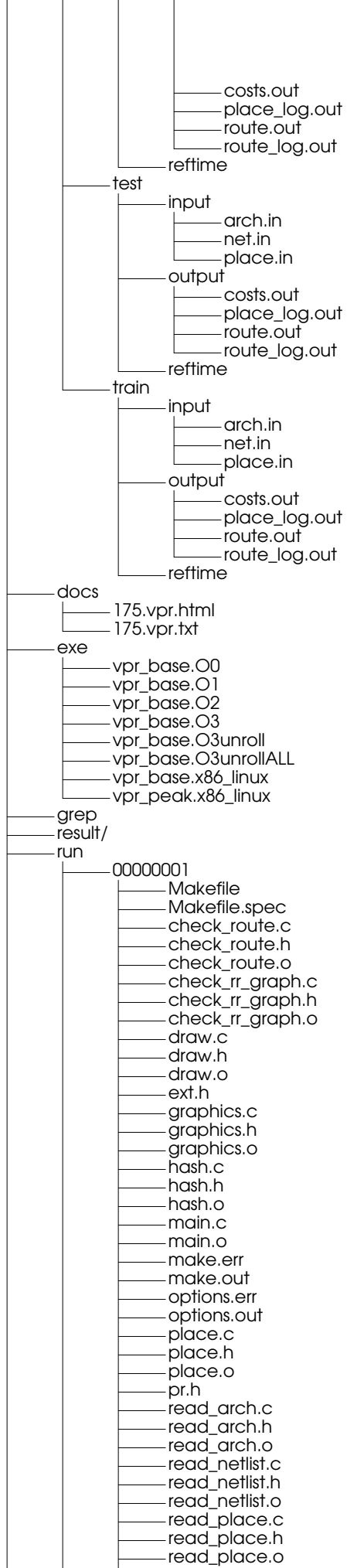
- input

- arch.in

- net.in

- place.in

- output



```

____ route.c
____ route.h
____ route.o
____ rr_graph.c
____ rr_graph.h
____ rr_graph.o
____ rr_graph2.c
____ rr_graph2.h
____ rr_graph2.o
____ rr_graph_area.c
____ rr_graph_area.h
____ rr_graph_area.o
____ rr_graph_sbox.c
____ rr_graph_sbox.h
____ rr_graph_sbox.o
____ rr_graph_timing_params.c
____ rr_graph_timing_params.h
____ rr_graph_timing_params.o
____ rr_graph_util.c
____ rr_graph_util.h
____ rr_graph_util.o
____ segment_stats.c
____ segment_stats.h
____ segment_stats.o
____ stats.c
____ stats.h
____ stats.o
____ util.c
____ util.h
____ util.o
____ vpr
____ 00000002
____ arch.in
____ costs.out
____ net.in
____ place.in
____ place.out
____ place_log.err
____ place_log.out
____ route.out
____ route_log.err
____ route_log.out
____ speccmds.cmd
____ speccmds.err
____ speccmds.out
____ vpr_base.x86_linux
____ 00000003
____ arch.in
____ compare.cmd
____ compare.err
____ compare.out
____ costs.out
____ costs.out.cmp
____ net.in
____ place.in
____ place.out
____ place_log.err
____ place_log.out
____ place_log.out.cmp
____ route.out
____ route.out.cmp
____ route_log.err
____ route_log.out
____ route_log.out.cmp
____ speccmds.cmd
____ speccmds.err
____ speccmds.out
____ vpr_peak.x86_linux
____ 00000004
____ Makefile
____ Makefile.spec
____ check_route.c
____ check_route.h
____ check_route.o
____ check_rr_graph.c
____ check_rr_graph.h
____ check_rr_graph.o
____ draw.c
____ draw.h
____ draw.o

```

— ext.h
— graphics.c
— graphics.h
— graphics.o
— hash.c
— hash.h
— hash.o
— main.c
— main.o
— make.err
— make.out
— options.err
— options.out
— place.c
— place.h
— place.o
— pr.h
— read_arch.c
— read_arch.h
— read_arch.o
— read_netlist.c
— read_netlist.h
— read_netlist.o
— read_place.c
— read_place.h
— read_place.o
— route.c
— route.h
— route.o
— rr_graph.c
— rr_graph.h
— rr_graph.o
— rr_graph2.c
— rr_graph2.h
— rr_graph2.o
— rr_graph_area.c
— rr_graph_area.h
— rr_graph_area.o
— rr_graph_sbox.c
— rr_graph_sbox.h
— rr_graph_sbox.o
— rr_graph_timing_params.c
— rr_graph_timing_params.h
— rr_graph_timing_params.o
— rr_graph_util.c
— rr_graph_util.h
— rr_graph_util.o
— segment_stats.c
— segment_stats.h
— segment_stats.o
— stats.c
— stats.h
— stats.o
— util.c
— util.h
— util.o
— vpr
— 00000005
— arch.in
— costs.out
— net.in
— place.in
— place.out
— place_log.err
— place_log.out
— route.out
— route_log.err
— route_log.out
— speccmds.cmd
— speccmds.err
— speccmds.out
— vpr_base.O0
— 00000006
— Makefile
— Makefile.spec
— check_route.c
— check_route.h
— check_route.o
— check_rr_graph.c
— check_rr_graph.h

```

—— check_rr_graph.o
—— draw.c
—— draw.h
—— draw.o
—— ext.h
—— graphics.c
—— graphics.h
—— graphics.o
—— hash.c
—— hash.h
—— hash.o
—— main.c
—— main.o
—— make.err
—— make.out
—— options.err
—— options.out
—— place.c
—— place.h
—— place.o
—— pr.h
—— read_arch.c
—— read_arch.h
—— read_arch.o
—— read_netlist.c
—— read_netlist.h
—— read_netlist.o
—— read_place.c
—— read_place.h
—— read_place.o
—— route.c
—— route.h
—— route.o
—— rr_graph.c
—— rr_graph.h
—— rr_graph.o
—— rr_graph2.c
—— rr_graph2.h
—— rr_graph2.o
—— rr_graph_area.c
—— rr_graph_area.h
—— rr_graph_area.o
—— rr_graph_sbox.c
—— rr_graph_sbox.h
—— rr_graph_sbox.o
—— rr_graph_timing_params.c
—— rr_graph_timing_params.h
—— rr_graph_timing_params.o
—— rr_graph_util.c
—— rr_graph_util.h
—— rr_graph_util.o
—— segment_stats.c
—— segment_stats.h
—— segment_stats.o
—— stats.c
—— stats.h
—— stats.o
—— util.c
—— util.h
—— util.o
—— vpr
—— 00000007
—— arch.in
—— costs.out
—— net.in
—— place.in
—— place.out
—— place_log.err
—— place_log.out
—— route.out
—— route_log.err
—— route_log.out
—— speccmds.cmd
—— speccmds.err
—— speccmds.out
—— vpr_base.O1
—— 00000008
—— Makefile
—— Makefile.spec
—— check_route.c

```

```

—— check_route.h
—— check_route.o
—— check_rr_graph.c
—— check_rr_graph.h
—— check_rr_graph.o
—— draw.c
—— draw.h
—— draw.o
—— ext.h
—— graphics.c
—— graphics.h
—— graphics.o
—— hash.c
—— hash.h
—— hash.o
—— main.c
—— main.o
—— make.err
—— make.out
—— options.err
—— options.out
—— place.c
—— place.h
—— place.o
—— pr.h
—— read_arch.c
—— read_arch.h
—— read_arch.o
—— read_netlist.c
—— read_netlist.h
—— read_netlist.o
—— read_place.c
—— read_place.h
—— read_place.o
—— route.c
—— route.h
—— route.o
—— rr_graph.c
—— rr_graph.h
—— rr_graph.o
—— rr_graph2.c
—— rr_graph2.h
—— rr_graph2.o
—— rr_graph_area.c
—— rr_graph_area.h
—— rr_graph_area.o
—— rr_graph_sbox.c
—— rr_graph_sbox.h
—— rr_graph_sbox.o
—— rr_graph_timing_params.c
—— rr_graph_timing_params.h
—— rr_graph_timing_params.o
—— rr_graph_util.c
—— rr_graph_util.h
—— rr_graph_util.o
—— segment_stats.c
—— segment_stats.h
—— segment_stats.o
—— stats.c
—— stats.h
—— stats.o
—— util.c
—— util.h
—— util.o
—— vpr
—— 00000009
—— arch.in
—— costs.out
—— net.in
—— place.in
—— place.out
—— place_log.err
—— place_log.out
—— route.out
—— route_log.err
—— route_log.out
—— speccmds.cmd
—— speccmds.err
—— speccmds.out
—— vpr_base.O2

```

00000010

- Makefile
- Makefile.spec
- check_route.c
- check_route.h
- check_route.o
- check_rr_graph.c
- check_rr_graph.h
- check_rr_graph.o
- draw.c
- draw.h
- draw.o
- ext.h
- graphics.c
- graphics.h
- graphics.o
- hash.c
- hash.h
- hash.o
- main.c
- main.o
- make.err
- make.out
- options.err
- options.out
- place.c
- place.h
- place.o
- pr.h
- read_arch.c
- read_arch.h
- read_arch.o
- read_netlist.c
- read_netlist.h
- read_netlist.o
- read_place.c
- read_place.h
- read_place.o
- route.c
- route.h
- route.o
- rr_graph.c
- rr_graph.h
- rr_graph.o
- rr_graph2.c
- rr_graph2.h
- rr_graph2.o
- rr_graph_area.c
- rr_graph_area.h
- rr_graph_area.o
- rr_graph_sbox.c
- rr_graph_sbox.h
- rr_graph_sbox.o
- rr_graph_timing_params.c
- rr_graph_timing_params.h
- rr_graph_timing_params.o
- rr_graph_util.c
- rr_graph_util.h
- rr_graph_util.o
- segment_stats.c
- segment_stats.h
- segment_stats.o
- stats.c
- stats.h
- stats.o
- util.c
- util.h
- util.o
- vpr

00000011

- arch.in
- costs.out
- net.in
- place.in
- place_log.err
- place_log.out
- speccmds.cmd
- speccmds.err
- speccmds.out
- vpr_base.O3

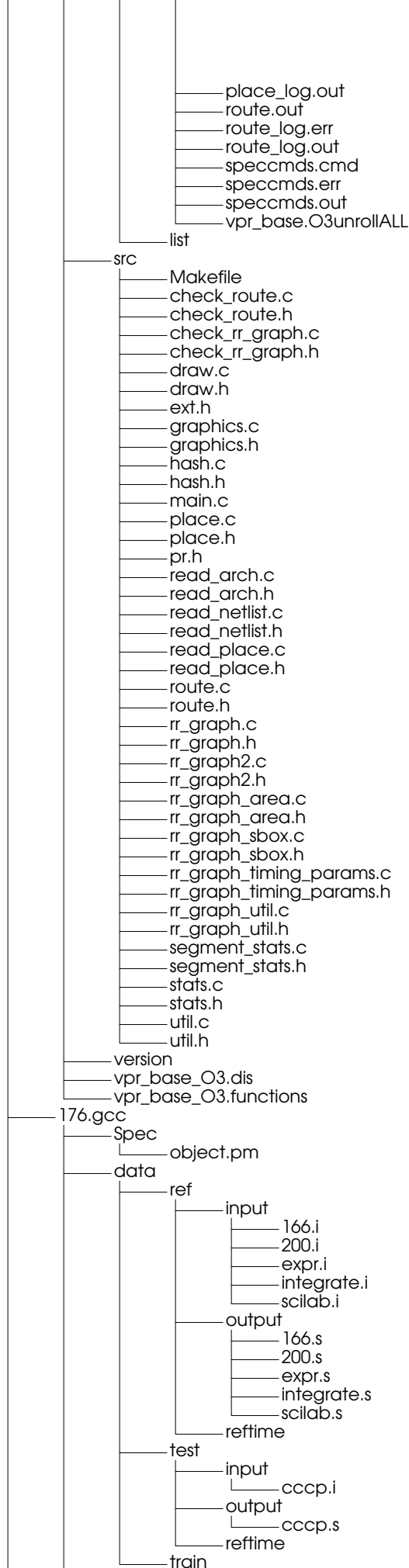
00000012

- Makefile
- Makefile.spec
- check_route.c
- check_route.h
- check_route.o
- check_rr_graph.c
- check_rr_graph.h
- check_rr_graph.o
- draw.c
- draw.h
- draw.o
- ext.h
- graphics.c
- graphics.h
- graphics.o
- hash.c
- hash.h
- hash.o
- main.c
- main.o
- make.err
- make.out
- options.err
- options.out
- place.c
- place.h
- place.o
- pr.h
- read_arch.c
- read_arch.h
- read_arch.o
- read_netlist.c
- read_netlist.h
- read_netlist.o
- read_place.c
- read_place.h
- read_place.o
- route.c
- route.h
- route.o
- rr_graph.c
- rr_graph.h
- rr_graph.o
- rr_graph2.c
- rr_graph2.h
- rr_graph2.o
- rr_graph_area.c
- rr_graph_area.h
- rr_graph_area.o
- rr_graph_sbox.c
- rr_graph_sbox.h
- rr_graph_sbox.o
- rr_graph_timing_params.c
- rr_graph_timing_params.h
- rr_graph_timing_params.o
- rr_graph_util.c
- rr_graph_util.h
- rr_graph_util.o
- segment_stats.c
- segment_stats.h
- segment_stats.o
- stats.c
- stats.h
- stats.o
- util.c
- util.h
- util.o
- vpr

00000013

- arch.in
- costs.out
- net.in
- place.in
- place.out
- place_log.err
- place_log.out
- route.out
- route_log.err
- route_log.out

— speccmds.cmd
— speccmds.err
— speccmds.out
— vpr_base.O3unroll
00000014
— Makefile
— Makefile.spec
— check_route.c
— check_route.h
— check_route.o
— check_rr_graph.c
— check_rr_graph.h
— check_rr_graph.o
— draw.c
— draw.h
— draw.o
— ext.h
— graphics.c
— graphics.h
— graphics.o
— hash.c
— hash.h
— hash.o
— main.c
— main.o
— make.err
— make.out
— options.err
— options.out
— place.c
— place.h
— place.o
— pr.h
— read_arch.c
— read_arch.h
— read_arch.o
— read_netlist.c
— read_netlist.h
— read_netlist.o
— read_place.c
— read_place.h
— read_place.o
— route.c
— route.h
— route.o
— rr_graph.c
— rr_graph.h
— rr_graph.o
— rr_graph2.c
— rr_graph2.h
— rr_graph2.o
— rr_graph_area.c
— rr_graph_area.h
— rr_graph_area.o
— rr_graph_sbox.c
— rr_graph_sbox.h
— rr_graph_sbox.o
— rr_graph_timing_params.c
— rr_graph_timing_params.h
— rr_graph_timing_params.o
— rr_graph_util.c
— rr_graph_util.h
— rr_graph_util.o
— segment_stats.c
— segment_stats.h
— segment_stats.o
— stats.c
— stats.h
— stats.o
— util.c
— util.h
— util.o
— vpr
00000015
— arch.in
— costs.out
— net.in
— place.in
— place.out
— place_log.err



```

      input
      |   cp-decl.i
      output
      |   cp-decl.s
      reftime
docs
|   176.gcc.html
|   176.gcc.txt
exe
|   cc1_base.O0
|   cc1_base.O1
|   cc1_base.O2
|   cc1_base.O3
|   cc1_base.O3unroll
|   cc1_base.O3unrollALL
|   cc1_base.x86_linux
|   cc1_peak.x86_linux
result/
run
|   00000001
|   Makefile
|   Makefile.spec
|   basic-block.h
|   bc-arity.h
|   bc-emit.c
|   bc-emit.h
|   bc-emit.o
|   bc-opcode.h
|   bc-opname.h
|   bc-optab.c
|   bc-optab.h
|   bc-optab.o
|   bc-typecd.def
|   bc-typecd.h
|   bi-run.h
|   bytocode.h
|   bytetypes.h
|   c-aux-info.c
|   c-aux-info.o
|   c-common.c
|   c-common.o
|   c-convert.c
|   c-convert.o
|   c-decl.c
|   c-decl.o
|   c-gperf.h
|   c-iterate.c
|   c-iterate.o
|   c-lang.c
|   c-lang.o
|   c-lex.c
|   c-lex.h
|   c-lex.o
|   c-parse.c
|   c-parse.h
|   c-parse.o
|   c-pragma.c
|   c-pragma.h
|   c-pragma.o
|   c-tree.h
|   c-typeck.c
|   c-typeck.o
|   caller-save.c
|   caller-save.o
|   calls.c
|   calls.o
|   cc1
|   combine.c
|   combine.o
|   conditions.h
|   config.h
|   convert.c
|   convert.h
|   convert.o
|   cpphash.h
|   cpplib.h
|   cse.c
|   cse.o
|   dbxout.c
|   dbxout.o

```

defaults.h
demangle.h
dwarf.h
dwarfout.c
dwarfout.o
emit-rtl.c
emit-rtl.o
explow.c
explow.o
expmed.c
expmed.o
expr.c
expr.h
expr.o
final.c
final.o
flags.h
flow.c
flow.o
fold-const.c
fold-const.o
function.c
function.h
function.o
gbl-ctors.h
getopt.h
getpwd.c
getpwd.o
gfloat.h
glimits.h
global.c
global.o
gstab.h
gsyms.h
hard-reg-set.h
input.h
insn-attr.h
insn-attrtab.c
insn-attrtab.o
insn-codes.h
insn-config.h
insn-emit.c
insn-emit.o
insn-extract.c
insn-extract.o
insn-flags.h
insn-opinit.c
insn-opinit.o
insn-output.c
insn-output.o
insn-peep.c
insn-peep.o
insn-recog.c
insn-recog.o
integrate.c
integrate.h
integrate.o
jump.c
jump.o
local-alloc.c
local-alloc.o
loop.c
loop.h
loop.o
m88k.c
m88k.o
machmode.def
machmode.h
make.err
make.out
modemap.def
multilib.h
obstack.c
obstack.h
obstack.o
optabs.c
optabs.o
options.err
options.h
options.out

```

—— output.h
—— pcp.h
—— print-rtl.c
—— print-rtl.o
—— print-tree.c
—— print-tree.o
—— real.c
—— real.h
—— real.o
—— recog.c
—— recog.h
—— recog.o
—— reg-stack.c
—— reg-stack.o
—— regclass.c
—— regclass.o
—— regs.h
—— reload.c
—— reload.h
—— reload.o
—— reload1.c
—— reload1.o
—— reorg.c
—— reorg.o
—— rtl.c
—— rtl.def
—— rtl.h
—— rtl.o
—— rtlanal.c
—— rtlanal.o
—— sched.c
—— sched.o
—— sdbout.c
—— sdbout.o
—— specs.h
—— src.alt
—— original_optabs_source
——   README
——   optabs.c
—— original_parser_source
——   README
——   c-parse.y
—— stab.def
—— stmt.c
—— stmt.o
—— stor-layout.c
—— stor-layout.o
—— stupid.c
—— stupid.o
—— toplev.c
—— toplev.o
—— tree.c
—— tree.def
—— tree.h
—— tree.o
—— typeclass.h
—— unroll.c
—— unroll.o
—— varasm.c
—— varasm.o
—— version.c
—— version.o
—— xcoffout.c
—— xcoffout.h
—— xcoffout.o
00000002
—— cc1_base.x86_linux
—— cccp.err
—— cccp.i
—— cccp.out
—— cccp.s
—— speccmds.cmd
—— speccmds.err
—— speccmds.out
00000003
—— 166.err
—— 166.i
—— 166.out
—— 166.s
—— 200.err

```

____ 200.i
____ 200.out
____ 200.s
____ cc1_base.x86_linux
____ expr.err
____ expr.i
____ expr.out
____ expr.s
____ integrate.err
____ integrate.i
____ integrate.out
____ integrate.s
____ scilab.err
____ scilab.i
____ scilab.out
____ scilab.s
____ speccmds.cmd
____ speccmds.err
____ speccmds.out

____ 00000004

____ 166.err
____ 166.i
____ 166.out
____ 166.s
____ 166.s.cmp
____ 200.err
____ 200.i
____ 200.out
____ 200.s
____ 200.s.cmp
____ cc1_peak.x86_linux
____ compare.cmd
____ compare.err
____ compare.out
____ expr.err
____ expr.i
____ expr.out
____ expr.s
____ expr.s.cmp
____ integrate.err
____ integrate.i
____ integrate.out
____ integrate.s
____ integrate.s.cmp
____ scilab.err
____ scilab.i
____ scilab.out
____ scilab.s
____ scilab.s.cmp
____ speccmds.cmd
____ speccmds.err
____ speccmds.out

____ 00000005

____ Makefile
____ Makefile.spec
____ basic-block.h
____ bc-arity.h
____ bc-emit.c
____ bc-emit.h
____ bc-emit.o
____ bc-opcode.h
____ bc-opname.h
____ bc-optab.c
____ bc-optab.h
____ bc-optab.o
____ bc-typecd.def
____ bc-typecd.h
____ bi-run.h
____ bytocode.h
____ bytetypes.h
____ c-aux-info.c
____ c-aux-info.o
____ c-common.c
____ c-common.o
____ c-convert.c
____ c-convert.o
____ c-decl.c
____ c-decl.o
____ c-gperf.h
____ c-iterate.c

____ c-iterate.o
____ c-lang.c
____ c-lang.o
____ c-lex.c
____ c-lex.h
____ c-lex.o
____ c-parse.c
____ c-parse.h
____ c-parse.o
____ c-pragma.c
____ c-pragma.h
____ c-pragma.o
____ c-tree.h
____ c-typeck.c
____ c-typeck.o
____ caller-save.c
____ caller-save.o
____ calls.c
____ calls.o
____ cc1
____ combine.c
____ combine.o
____ conditions.h
____ config.h
____ convert.c
____ convert.h
____ convert.o
____ cpphash.h
____ cpplib.h
____ cse.c
____ cse.o
____ dbxout.c
____ dbxout.o
____ defaults.h
____ demangle.h
____ dwarf.h
____ dwarfout.c
____ dwarfout.o
____ emit-rtl.c
____ emit-rtl.o
____ explow.c
____ explow.o
____ expmed.c
____ expmed.o
____ expr.c
____ expr.h
____ expr.o
____ final.c
____ final.o
____ flags.h
____ flow.c
____ flow.o
____ fold-const.c
____ fold-const.o
____ function.c
____ function.h
____ function.o
____ gbl-ctors.h
____ getopt.h
____ getpwd.c
____ getpwd.o
____ gfloat.h
____ glimits.h
____ global.c
____ global.o
____ gstab.h
____ gsyms.h
____ hard-reg-set.h
____ input.h
____ insn-attr.h
____ insn-attrtab.c
____ insn-attrtab.o
____ insn-codes.h
____ insn-config.h
____ insn-emit.c
____ insn-emit.o
____ insn-extract.c
____ insn-extract.o
____ insn-flags.h
____ insn-opinit.c


```

—— insn-opinit.o
—— insn-output.c
—— insn-output.o
—— insn-peep.c
—— insn-peep.o
—— insn-recog.c
—— insn-recog.o
—— integrate.c
—— integrate.h
—— integrate.o
—— jump.c
—— jump.o
—— local-alloc.c
—— local-alloc.o
—— loop.c
—— loop.h
—— loop.o
—— m88k.c
—— m88k.o
—— machmode.def
—— machmode.h
—— make.err
—— make.out
—— modemap.def
—— multilib.h
—— obstack.c
—— obstack.h
—— obstack.o
—— optabs.c
—— optabs.o
—— options.err
—— options.h
—— options.out
—— output.h
—— pcp.h
—— print-rtl.c
—— print-rtl.o
—— print-tree.c
—— print-tree.o
—— real.c
—— real.h
—— real.o
—— recog.c
—— recog.h
—— recog.o
—— reg-stack.c
—— reg-stack.o
—— regclass.c
—— regclass.o
—— regs.h
—— reload.c
—— reload.h
—— reload.o
—— reload1.c
—— reload1.o
—— reorg.c
—— reorg.o
—— rtl.c
—— rtl.def
—— rtl.h
—— rtl.o
—— rtlanal.c
—— rtlanal.o
—— sched.c
—— sched.o
—— sbbout.c
—— sbbout.o
—— specs.h
—— src.alt
—— original_optabs_source
——   README
——   optabs.c
—— original_parser_source
——   README
——   c-parse.y
—— stab.def
—— stmt.c
—— stmt.o
—— stor-layout.c
—— stor-layout.o

```

- stupid.c
- stupid.o
- toplev.c
- toplev.o
- tree.c
- tree.def
- tree.h
- tree.o
- typeclass.h
- unroll.c
- unroll.o
- varasm.c
- varasm.o
- version.c
- version.o
- xcoffout.c
- xcoffout.h
- xcoffout.o
- 00000006
 - 166.err
 - 166.i
 - 166.out
 - 166.s
 - 200.err
 - 200.i
 - 200.out
 - 200.s
 - cc1_base.OO
 - expr.err
 - expr.i
 - expr.out
 - expr.s
 - integrate.err
 - integrate.i
 - integrate.out
 - integrate.s
 - scilab.err
 - scilab.i
 - scilab.out
 - scilab.s
 - speccmds.cmd
 - speccmds.err
 - speccmds.out
- 00000007
 - Makefile
 - Makefile.spec
 - basic-block.h
 - bc-arity.h
 - bc-emit.c
 - bc-emit.h
 - bc-emit.o
 - bc-opcode.h
 - bc-opname.h
 - bc-optab.c
 - bc-optab.h
 - bc-optab.o
 - bc-typecd.def
 - bc-typecd.h
 - bi-run.h
 - bytocode.h
 - bytetypes.h
 - c-aux-info.c
 - c-aux-info.o
 - c-common.c
 - c-common.o
 - c-convert.c
 - c-convert.o
 - c-decl.c
 - c-decl.o
 - c-gperf.h
 - c-iterate.c
 - c-iterate.o
 - c-lang.c
 - c-lang.o
 - c-lex.c
 - c-lex.h
 - c-lex.o
 - c-parse.c
 - c-parse.h
 - c-parse.o

— c-pragma.c
— c-pragma.h
— c-pragma.o
— c-free.h
— c-typeck.c
— c-typeck.o
— caller-save.c
— caller-save.o
— calls.c
— calls.o
— cc1
— combine.c
— combine.o
— conditions.h
— config.h
— convert.c
— convert.h
— convert.o
— cpphash.h
— cpplib.h
— cse.c
— cse.o
— dbxout.c
— dbxout.o
— defaults.h
— demangle.h
— dwarf.h
— dwarfout.c
— dwarfout.o
— emit-rtl.c
— emit-rtl.o
— explow.c
— explow.o
— expmed.c
— expmed.o
— expr.c
— expr.h
— expr.o
— final.c
— final.o
— flags.h
— flow.c
— flow.o
— fold-const.c
— fold-const.o
— function.c
— function.h
— function.o
— gbl-ctors.h
— getopt.h
— getpwd.c
— getpwd.o
— gfloat.h
— glimits.h
— global.c
— global.o
— gstab.h
— gsyms.h
— hard-reg-set.h
— input.h
— insn-attr.h
— insn-attrtab.c
— insn-attrtab.o
— insn-codes.h
— insn-config.h
— insn-emit.c
— insn-emit.o
— insn-extract.c
— insn-extract.o
— insn-flags.h
— insn-opinit.c
— insn-opinit.o
— insn-output.c
— insn-output.o
— insn-peep.c
— insn-peep.o
— insn-recog.c
— insn-recog.o
— integrate.c
— integrate.h

- integrate.o
- jump.c
- jump.o
- local-alloc.c
- local-alloc.o
- loop.c
- loop.h
- loop.o
- m88k.c
- m88k.o
- machmode.def
- machmode.h
- make.err
- make.out
- modemap.def
- multilib.h
- obstack.c
- obstack.h
- obstack.o
- optabs.c
- optabs.o
- options.err
- options.h
- options.out
- output.h
- pcp.h
- print-rtl.c
- print-rtl.o
- print-tree.c
- print-tree.o
- real.c
- real.h
- real.o
- recog.c
- recog.h
- recog.o
- reg-stack.c
- reg-stack.o
- regclass.c
- regclass.o
- regs.h
- reload.c
- reload.h
- reload.o
- reload1.c
- reload1.o
- reorg.c
- reorg.o
- rtl.c
- rtl.def
- rtl.h
- rtl.o
- rtlanal.c
- rtlanal.o
- sched.c
- sched.o
- sdbout.c
- sdbout.o
- specs.h
- src.alt
 - original_optabs_source
 - README
 - optabs.c
 - original_parser_source
 - README
 - c-parse.y
- stab.def
- stmt.c
- stmt.o
- stor-layout.c
- stor-layout.o
- stupid.c
- stupid.o
- toplev.c
- toplev.o
- tree.c
- tree.def
- tree.h
- tree.o
- typeclass.h

- _____ unroll.c
- _____ unroll.o
- _____ varasm.c
- _____ varasm.o
- _____ version.c
- _____ version.o
- _____ xcffout.c
- _____ xcffout.h
- _____ xcffout.o
- _____ 00000008
- _____ 166.err
- _____ 166.i
- _____ 166.out
- _____ 166.s
- _____ 200.err
- _____ 200.i
- _____ 200.out
- _____ 200.s
- _____ cc1_base.O1
- _____ expr.err
- _____ expr.i
- _____ expr.out
- _____ expr.s
- _____ integrate.err
- _____ integrate.i
- _____ integrate.out
- _____ integrate.s
- _____ scilab.err
- _____ scilab.i
- _____ scilab.out
- _____ scilab.s
- _____ speccmds.cmd
- _____ speccmds.err
- _____ speccmds.out
- _____ 00000009
- _____ Makefile
- _____ Makefile.spec
- _____ basic-block.h
- _____ bc-arity.h
- _____ bc-emit.c
- _____ bc-emit.h
- _____ bc-emit.o
- _____ bc-opcode.h
- _____ bc-opname.h
- _____ bc-optab.c
- _____ bc-optab.h
- _____ bc-optab.o
- _____ bc-typecd.def
- _____ bc-typecd.h
- _____ bi-run.h
- _____ bytecode.h
- _____ bytetypes.h
- _____ c-aux-info.c
- _____ c-aux-info.o
- _____ c-common.c
- _____ c-common.o
- _____ c-convert.c
- _____ c-convert.o
- _____ c-decl.c
- _____ c-decl.o
- _____ c-gperf.h
- _____ c-iterate.c
- _____ c-iterate.o
- _____ c-lang.c
- _____ c-lang.o
- _____ c-lex.c
- _____ c-lex.h
- _____ c-lex.o
- _____ c-parse.c
- _____ c-parse.h
- _____ c-parse.o
- _____ c-pragma.c
- _____ c-pragma.h
- _____ c-pragma.o
- _____ c-tree.h
- _____ c-typeck.c
- _____ c-typeck.o
- _____ caller-save.c
- _____ caller-save.o
- _____ calls.c

calls.o
cc1
combine.c
combine.o
conditions.h
config.h
convert.c
convert.h
convert.o
cpphash.h
cpplib.h
cse.c
cse.o
dbxout.c
dbxout.o
defaults.h
demangle.h
dwarf.h
dwarfout.c
dwarfout.o
emit-rtl.c
emit-rtl.o
expow.c
expow.o
expmed.c
expmed.o
expr.c
expr.h
expr.o
final.c
final.o
flags.h
flow.c
flow.o
fold-const.c
fold-const.o
function.c
function.h
function.o
gbl-ctors.h
getopt.h
getpwd.c
getpwd.o
gfloat.h
glimits.h
global.c
global.o
gstab.h
gsyms.h
hard-reg-set.h
input.h
insn-attr.h
insn-attrtab.c
insn-attrtab.o
insn-codes.h
insn-config.h
insn-emit.c
insn-emit.o
insn-extract.c
insn-extract.o
insn-flags.h
insn-opinit.c
insn-opinit.o
insn-output.c
insn-output.o
insn-peep.c
insn-peep.o
insn-recog.c
insn-recog.o
integrate.c
integrate.h
integrate.o
jump.c
jump.o
local-alloc.c
local-alloc.o
loop.c
loop.h
loop.o
m88k.c

- _____ m88k.o
- _____ machmode.def
- _____ machmode.h
- _____ make.err
- _____ make.out
- _____ modemap.def
- _____ multilib.h
- _____ obstack.c
- _____ obstack.h
- _____ obstack.o
- _____ optabs.c
- _____ optabs.o
- _____ options.err
- _____ options.h
- _____ options.out
- _____ output.h
- _____ pcp.h
- _____ print-rtl.c
- _____ print-rtl.o
- _____ print-tree.c
- _____ print-tree.o
- _____ real.c
- _____ real.h
- _____ real.o
- _____ recog.c
- _____ recog.h
- _____ recog.o
- _____ reg-stack.c
- _____ reg-stack.o
- _____ regclass.c
- _____ regclass.o
- _____ regs.h
- _____ reload.c
- _____ reload.h
- _____ reload.o
- _____ reload1.c
- _____ reload1.o
- _____ reorg.c
- _____ reorg.o
- _____ rtl.c
- _____ rtl.def
- _____ rtl.h
- _____ rtl.o
- _____ rtlanal.c
- _____ rtlanal.o
- _____ sched.c
- _____ sched.o
- _____ sdbout.c
- _____ sdbout.o
- _____ specs.h
- _____ src.alt
 - _____ original_optabs_source
 - _____ README
 - _____ optabs.c
 - _____ original_parser_source
 - _____ README
 - _____ c-parse.y
- _____ stab.def
- _____ stmt.c
- _____ stmt.o
- _____ stor-layout.c
- _____ stor-layout.o
- _____ stupid.c
- _____ stupid.o
- _____ toplev.c
- _____ toplev.o
- _____ tree.c
- _____ tree.def
- _____ tree.h
- _____ tree.o
- _____ typeclass.h
- _____ unroll.c
- _____ unroll.o
- _____ varasm.c
- _____ varasm.o
- _____ version.c
- _____ version.o
- _____ xcoffout.c
- _____ xcoffout.h
- _____ xcoffout.o

00000010
—— 166.err
—— 166.i
—— 166.out
—— 166.s
—— 200.err
—— 200.i
—— 200.out
—— 200.s
—— cc1_base.O2
—— expr.err
—— expr.i
—— expr.out
—— expr.s
—— integrate.err
—— integrate.i
—— integrate.out
—— integrate.s
—— scilab.err
—— scilab.i
—— scilab.out
—— scilab.s
—— speccmds.cmd
—— speccmds.err
—— speccmds.out

00000011
—— Makefile
—— Makefile.spec
—— basic-block.h
—— bc-arity.h
—— bc-emit.c
—— bc-emit.h
—— bc-emit.o
—— bc-opcode.h
—— bc-opname.h
—— bc-optab.c
—— bc-optab.h
—— bc-optab.o
—— bc-typecd.def
—— bc-typecd.h
—— bi-run.h
—— bytocode.h
—— bytetypes.h
—— c-aux-info.c
—— c-aux-info.o
—— c-common.c
—— c-common.o
—— c-convert.c
—— c-convert.o
—— c-decl.c
—— c-decl.o
—— c-gperf.h
—— c-iterate.c
—— c-iterate.o
—— c-lang.c
—— c-lang.o
—— c-lex.c
—— c-lex.h
—— c-lex.o
—— c-parse.c
—— c-parse.h
—— c-parse.o
—— c-pragma.c
—— c-pragma.h
—— c-pragma.o
—— c-tree.h
—— c-typeck.c
—— c-typeck.o
—— caller-save.c
—— caller-save.o
—— calls.c
—— calls.o
—— cc1
—— combine.c
—— combine.o
—— conditions.h
—— config.h
—— convert.c
—— convert.h
—— convert.o

—— cpphash.h
—— cpplib.h
—— cse.c
—— cse.o
—— dbxout.c
—— dbxout.o
—— defaults.h
—— demangle.h
—— dwarf.h
—— dwarfout.c
—— dwarfout.o
—— emit-rtl.c
—— emit-rtl.o
—— explow.c
—— explow.o
—— expmed.c
—— expmed.o
—— expr.c
—— expr.h
—— expr.o
—— final.c
—— final.o
—— flags.h
—— flow.c
—— flow.o
—— fold-const.c
—— fold-const.o
—— function.c
—— function.h
—— function.o
—— gbl-ctors.h
—— getopt.h
—— getpwd.c
—— getpwd.o
—— gfloat.h
—— glimits.h
—— global.c
—— global.o
—— gstab.h
—— gsyms.h
—— hard-reg-set.h
—— input.h
—— insn-attr.h
—— insn-attrtab.c
—— insn-attrtab.o
—— insn-codes.h
—— insn-config.h
—— insn-emit.c
—— insn-emit.o
—— insn-extract.c
—— insn-extract.o
—— insn-flags.h
—— insn-opinit.c
—— insn-opinit.o
—— insn-output.c
—— insn-output.o
—— insn-peep.c
—— insn-peep.o
—— insn-recog.c
—— insn-recog.o
—— integrate.c
—— integrate.h
—— integrate.o
—— jump.c
—— jump.o
—— local-alloc.c
—— local-alloc.o
—— loop.c
—— loop.h
—— loop.o
—— m88k.c
—— m88k.o
—— machmode.def
—— machmode.h
—— make.err
—— make.out
—— modemap.def
—— multilib.h
—— obstack.c
—— obstack.h

```

——— obstack.o
——— optabs.c
——— optabs.o
——— options.err
——— options.h
——— options.out
——— output.h
——— pcp.h
——— print-rtl.c
——— print-rtl.o
——— print-tree.c
——— print-tree.o
——— real.c
——— real.h
——— real.o
——— recog.c
——— recog.h
——— recog.o
——— reg-stack.c
——— reg-stack.o
——— regclass.c
——— regclass.o
——— regs.h
——— reload.c
——— reload.h
——— reload.o
——— reload1.c
——— reload1.o
——— reorg.c
——— reorg.o
——— rtl.c
——— rtl.def
——— rtl.h
——— rtl.o
——— rtlanal.c
——— rtlanal.o
——— sched.c
——— sched.o
——— sbdout.c
——— sbdout.o
——— specs.h
——— src.alt
      |
      |——— original_optabs_source
      |      |
      |      |——— README
      |      |——— optabs.c
      |      |
      |      |——— original_parser_source
      |      |      |
      |      |      |——— README
      |      |      |——— c-parse.y
——— stab.def
——— stmt.c
——— stmt.o
——— stor-layout.c
——— stor-layout.o
——— stupid.c
——— stupid.o
——— toplev.c
——— toplev.o
——— tree.c
——— tree.def
——— tree.h
——— tree.o
——— typeclass.h
——— unroll.c
——— unroll.o
——— varasm.c
——— varasm.o
——— version.c
——— version.o
——— xcoffout.c
——— xcoffout.h
——— xcoffout.o
——— 00000012
      |
      |——— 166.err
      |——— 166.i
      |——— 166.out
      |——— 166.s
      |——— 200.err
      |——— 200.i
      |——— 200.out
      |——— 200.s

```

- _____ cc1_base.O3
- _____ expr.err
- _____ expr.i
- _____ expr.out
- _____ expr.s
- _____ integrate.err
- _____ integrate.i
- _____ integrate.out
- _____ integrate.s
- _____ scilab.err
- _____ scilab.i
- _____ scilab.out
- _____ scilab.s
- _____ speccmds.cmd
- _____ speccmds.err
- _____ speccmds.out
- _____ 00000013
- _____ Makefile
- _____ Makefile.spec
- _____ basic-block.h
- _____ bc-arity.h
- _____ bc-emit.c
- _____ bc-emit.h
- _____ bc-emit.o
- _____ bc-opcode.h
- _____ bc-opname.h
- _____ bc-optab.c
- _____ bc-optab.h
- _____ bc-optab.o
- _____ bc-typecd.def
- _____ bc-typecd.h
- _____ bi-run.h
- _____ bytocode.h
- _____ bytetypes.h
- _____ c-aux-info.c
- _____ c-aux-info.o
- _____ c-common.c
- _____ c-common.o
- _____ c-convert.c
- _____ c-convert.o
- _____ c-decl.c
- _____ c-decl.o
- _____ c-gperf.h
- _____ c-iterate.c
- _____ c-iterate.o
- _____ c-lang.c
- _____ c-lang.o
- _____ c-lex.c
- _____ c-lex.h
- _____ c-lex.o
- _____ c-parse.c
- _____ c-parse.h
- _____ c-parse.o
- _____ c-pragma.c
- _____ c-pragma.h
- _____ c-pragma.o
- _____ c-tree.h
- _____ c-typeck.c
- _____ c-typeck.o
- _____ caller-save.c
- _____ caller-save.o
- _____ calls.c
- _____ calls.o
- _____ cc1
- _____ combine.c
- _____ combine.o
- _____ conditions.h
- _____ config.h
- _____ convert.c
- _____ convert.h
- _____ convert.o
- _____ cpphash.h
- _____ cpplib.h
- _____ cse.c
- _____ cse.o
- _____ dbxout.c
- _____ dbxout.o
- _____ defaults.h
- _____ demangle.h
- _____ dwarf.h

— dwarfout.c
— dwarfout.o
— emit-rtl.c
— emit-rtl.o
— explow.c
— explow.o
— expmed.c
— expmed.o
— expr.c
— expr.h
— expr.o
— final.c
— final.o
— flags.h
— flow.c
— flow.o
— fold-const.c
— fold-const.o
— function.c
— function.h
— function.o
— gbl-ctors.h
— getopt.h
— getpwd.c
— getpwd.o
— gfloat.h
— glimits.h
— global.c
— global.o
— gstab.h
— gsyms.h
— hard-reg-set.h
— input.h
— insn-attr.h
— insn-attrtab.c
— insn-attrtab.o
— insn-codes.h
— insn-config.h
— insn-emit.c
— insn-emit.o
— insn-extract.c
— insn-extract.o
— insn-flags.h
— insn-opinit.c
— insn-opinit.o
— insn-output.c
— insn-output.o
— insn-peep.c
— insn-peep.o
— insn-recog.c
— insn-recog.o
— integrate.c
— integrate.h
— integrate.o
— jump.c
— jump.o
— local-alloc.c
— local-alloc.o
— loop.c
— loop.h
— loop.o
— m88k.c
— m88k.o
— machmode.def
— machmode.h
— make.err
— make.out
— modemap.def
— multilib.h
— obstack.c
— obstack.h
— obstack.o
— optabs.c
— optabs.o
— options.err
— options.h
— options.out
— output.h
— pcp.h
— print-rtl.c

```

—— print-rtl.o
—— print-tree.c
—— print-tree.o
—— real.c
—— real.h
—— real.o
—— recog.c
—— recog.h
—— recog.o
—— reg-stack.c
—— reg-stack.o
—— regclass.c
—— regclass.o
—— regs.h
—— reload.c
—— reload.h
—— reload.o
—— reload1.c
—— reload1.o
—— reorg.c
—— reorg.o
—— rtl.c
—— rtl.def
—— rtl.h
—— rtl.o
—— rtlanal.c
—— rtlanal.o
—— sched.c
—— sched.o
—— sdbout.c
—— sdbout.o
—— specs.h
—— src.alt
—— original_optabs_source
——   README
——   optabs.c
—— original_parser_source
——   README
——   c-parse.y
—— stab.def
—— stmt.c
—— stmt.o
—— stor-layout.c
—— stor-layout.o
—— stupid.c
—— stupid.o
—— toplev.c
—— toplev.o
—— tree.c
—— tree.def
—— tree.h
—— tree.o
—— typeclass.h
—— unroll.c
—— unroll.o
—— varasm.c
—— varasm.o
—— version.c
—— version.o
—— xcoffout.c
—— xcoffout.h
—— xcoffout.o
00000014
—— 166.err
—— 166.i
—— 166.out
—— 166.s
—— 200.err
—— 200.i
—— 200.out
—— 200.s
—— cc1_base.O3unroll
—— expr.err
—— expr.i
—— expr.out
—— expr.s
—— integrate.err
—— integrate.i
—— integrate.out
—— integrate.s

```

— scilab.err
— scilab.i
— scilab.out
— scilab.s
— speccmds.cmd
— speccmds.err
— speccmds.out
— 00000015
— Makefile
— Makefile.spec
— basic-block.h
— bc-arity.h
— bc-emit.c
— bc-emit.h
— bc-emit.o
— bc-opcode.h
— bc-opname.h
— bc-optab.c
— bc-optab.h
— bc-optab.o
— bc-typecd.def
— bc-typecd.h
— bi-run.h
— bytocode.h
— bytetypes.h
— c-aux-info.c
— c-aux-info.o
— c-common.c
— c-common.o
— c-convert.c
— c-convert.o
— c-decl.c
— c-decl.o
— c-gperf.h
— c-iterate.c
— c-iterate.o
— c-lang.c
— c-lang.o
— c-lex.c
— c-lex.h
— c-lex.o
— c-parse.c
— c-parse.h
— c-parse.o
— c-pragma.c
— c-pragma.h
— c-pragma.o
— c-free.h
— c-typeck.c
— c-typeck.o
— caller-save.c
— caller-save.o
— calls.c
— calls.o
— cc1
— combine.c
— combine.o
— conditions.h
— config.h
— convert.c
— convert.h
— convert.o
— cpphash.h
— cpplib.h
— cse.c
— cse.o
— dbxout.c
— dbxout.o
— defaults.h
— demangle.h
— dwarf.h
— dwarfout.c
— dwarfout.o
— emit-rtl.c
— emit-rtl.o
— explov.c
— explov.o
— expmed.c
— expmed.o
— expr.c

— expr.h
— expr.o
— final.c
— final.o
— flags.h
— flow.c
— flow.o
— fold-const.c
— fold-const.o
— function.c
— function.h
— function.o
— gbl-ctors.h
— getopt.h
— getpwd.c
— getpwd.o
— gfloat.h
— glimits.h
— global.c
— global.o
— gstab.h
— gsyms.h
— hard-reg-set.h
— input.h
— insn-attr.h
— insn-attrtab.c
— insn-attrtab.o
— insn-codes.h
— insn-config.h
— insn-emit.c
— insn-emit.o
— insn-extract.c
— insn-extract.o
— insn-flags.h
— insn-opinit.c
— insn-opinit.o
— insn-output.c
— insn-output.o
— insn-peep.c
— insn-peep.o
— insn-recog.c
— insn-recog.o
— integrate.c
— integrate.h
— integrate.o
— jump.c
— jump.o
— local-alloc.c
— local-alloc.o
— loop.c
— loop.h
— loop.o
— m88k.c
— m88k.o
— machmode.def
— machmode.h
— make.err
— make.out
— modemap.def
— multilib.h
— obstack.c
— obstack.h
— obstack.o
— optabs.c
— optabs.o
— options.err
— options.h
— options.out
— output.h
— pcp.h
— print-rtl.c
— print-rtl.o
— print-tree.c
— print-tree.o
— real.c
— real.h
— real.o
— recog.c
— recog.h
— recog.o

```

—— reg-stack.c
—— reg-stack.o
—— regclass.c
—— regclass.o
—— regs.h
—— reload.c
—— reload.h
—— reload.o
—— reload1.c
—— reload1.o
—— reorg.c
—— reorg.o
—— rtl.c
—— rtl.def
—— rtl.h
—— rtl.o
—— rtlanal.c
—— rtlanal.o
—— sched.c
—— sched.o
—— sdbout.c
—— sdbout.o
—— specs.h
—— src.alt
—— original_optabs_source
——   README
——   optabs.c
—— original_parser_source
——   README
——   c-parse.y
—— stab.def
—— stmt.c
—— stmt.o
—— stor-layout.c
—— stor-layout.o
—— stupid.c
—— stupid.o
—— toplev.c
—— toplev.o
—— tree.c
—— tree.def
—— tree.h
—— tree.o
—— typeclass.h
—— unroll.c
—— unroll.o
—— varasm.c
—— varasm.o
—— version.c
—— version.o
—— xcoffout.c
—— xcoffout.h
—— xcoffout.o
—— 00000016
—— 166.err
—— 166.i
—— 166.out
—— 166.s
—— 200.err
—— 200.i
—— 200.out
—— 200.s
—— cc1_base.O3unrollALL
—— expr.err
—— expr.i
—— expr.out
—— expr.s
—— integrate.err
—— integrate.i
—— integrate.out
—— integrate.s
—— scilab.err
—— scilab.i
—— scilab.out
—— scilab.s
—— speccmds.cmd
—— speccmds.err
—— speccmds.out
—— list
—— sil

```



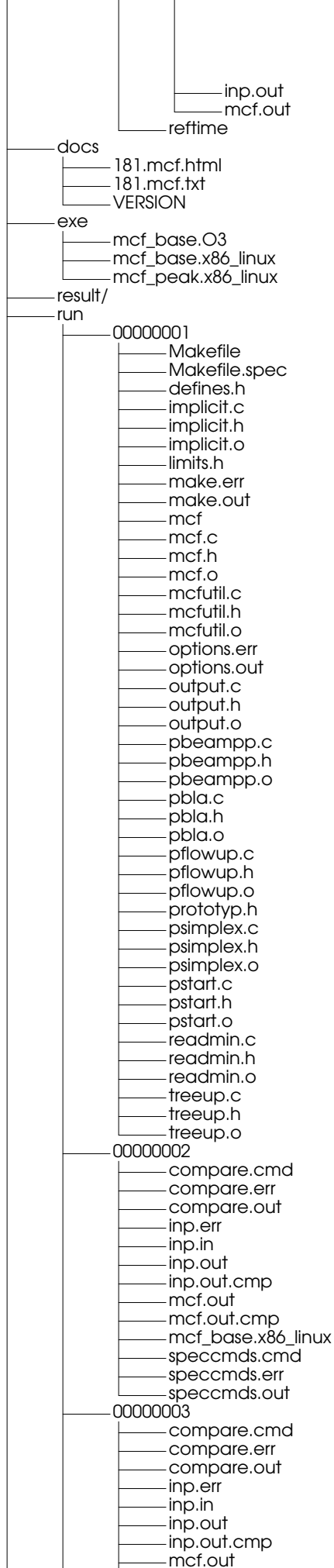
```
Makefile
Makefile.spec
src
  Makefile
  basic-block.h
  bc-arity.h
  bc-emit.c
  bc-emit.h
  bc-opcode.h
  bc-opname.h
  bc-optab.c
  bc-optab.h
  bc-typecd.def
  bc-typecd.h
  bi-run.h
  bytecode.h
  bytetypes.h
  c-aux-info.c
  c-common.c
  c-convert.c
  c-decl.c
  c-gperf.h
  c-iterate.c
  c-lang.c
  c-lex.c
  c-lex.h
  c-parse.c
  c-parse.h
  c-pragma.c
  c-pragma.h
  c-tree.h
  c-typeck.c
  caller-save.c
  calls.c
  combine.c
  conditions.h
  config.h
  convert.c
  convert.h
  cpphash.h
  cpplib.h
  cse.c
  dbxout.c
  defaults.h
  demangle.h
  dwarf.h
  dwarfout.c
  emit-rtl.c
  explow.c
  expmed.c
  expr.c
  expr.h
  final.c
  flags.h
  flow.c
  fold-const.c
  function.c
  function.h
  gbl-ctors.h
  getopt.h
  getpwd.c
  gfloat.h
  glimits.h
  global.c
  gstab.h
  gsyms.h
  hard-reg-set.h
  input.h
  insn-attr.h
  insn-attrtab.c
  insn-codes.h
  insn-config.h
  insn-emit.c
  insn-extract.c
  insn-flags.h
  insn-opinit.c
  insn-output.c
  insn-peep.c
  insn-recog.c
  integrate.c
```

- integrate.h
- jump.c
- local-alloc.c
- loop.c
- loop.h
- m88k.c
- machmode.def
- machmode.h
- modemap.def
- multilib.h
- obstack.c
- obstack.h
- optabs.c
- options.h
- output.h
- pcp.h
- print-rtl.c
- print-tree.c
- real.c
- real.h
- recog.c
- recog.h
- reg-stack.c
- regclass.c
- regs.h
- reload.c
- reload.h
- reload1.c
- reorg.c
- rtl.c
- rtl.def
- rtl.h
- rtlanal.c
- sched.c
- sbout.c
- specs.h
- src.alt
 - original_optabs_source
 - README
 - optabs.c
 - original_parser_source
 - README
 - c-parse.y
- stab.def
- stmt.c
- stor-layout.c
- stupid.c
- toplev.c
- tree.c
- tree.def
- tree.h
- typeclass.h
- unroll.c
- varasm.c
- version.c
- xcoffout.c
- xcoffout.h

— version

— 181.mcf

- Spec
 - object.pm
- data
 - ref
 - input
 - inp.in
 - output
 - inp.out
 - mcf.out
 - reftime
 - test
 - input
 - inp.in
 - output
 - inp.out
 - mcf.out
 - reftime
 - train
 - input
 - inp.in
 - output



inp.out
mcf.out
reftime

- mcf.out.cmp
- mcf_peak.x86_linux
- speccmds.cmd
- speccmds.err
- speccmds.out

00000004

- Makefile
- Makefile.spec
- defines.h
- implicit.c
- implicit.h
- implicit.o
- limits.h
- make.err
- make.out
- mcf
- mcf.c
- mcf.h
- mcf.o
- mcfutil.c
- mcfutil.h
- mcfutil.o
- options.err
- options.out
- output.c
- output.h
- output.o
- pbeampp.c
- pbeampp.h
- pbeampp.o
- pbla.c
- pbla.h
- pbla.o
- pflowup.c
- pflowup.h
- pflowup.o
- prototyp.h
- psimplex.c
- psimplex.h
- psimplex.o
- pstart.c
- pstart.h
- pstart.o
- readmin.c
- readmin.h
- readmin.o
- treeup.c
- treeup.h
- treeup.o

00000005

- inp.err
- inp.in
- inp.out
- mcf.out
- mcf_base.O3
- speccmds.cmd
- speccmds.err
- speccmds.out

list

src

- Makefile
- defines.h
- implicit.c
- implicit.h
- limits.h
- mcf.c
- mcf.h
- mcfutil.c
- mcfutil.h
- output.c
- output.h
- pbeampp.c
- pbeampp.h
- pbla.c
- pbla.h
- pflowup.c
- pflowup.h
- prototyp.h
- psimplex.c
- psimplex.h

```

    |
    |   pstart.c
    |   pstart.h
    |   readmin.c
    |   readmin.h
    |   treeup.c
    |   treeup.h
    |   version
    |
    |--- 186.crafty
    |   |
    |   |--- Spec
    |   |   |
    |   |   |--- object.pm
    |   |   |
    |   |   |--- data
    |   |   |   |
    |   |   |   |--- ref
    |   |   |   |   |
    |   |   |   |   |--- input
    |   |   |   |   |   |
    |   |   |   |   |   |--- crafty.in
    |   |   |   |   |   |
    |   |   |   |   |--- output
    |   |   |   |   |   |
    |   |   |   |   |   |--- crafty.out
    |   |   |   |   |   |
    |   |   |   |   |--- reftime
    |   |   |   |   |
    |   |   |   |--- test
    |   |   |   |   |
    |   |   |   |   |--- input
    |   |   |   |   |   |
    |   |   |   |   |   |--- crafty.in
    |   |   |   |   |   |
    |   |   |   |   |--- output
    |   |   |   |   |   |
    |   |   |   |   |   |--- crafty.out
    |   |   |   |   |   |
    |   |   |   |   |--- reftime
    |   |   |   |--- train
    |   |   |   |   |
    |   |   |   |   |--- input
    |   |   |   |   |   |
    |   |   |   |   |   |--- crafty.in
    |   |   |   |   |   |
    |   |   |   |   |--- output
    |   |   |   |   |   |
    |   |   |   |   |   |--- crafty.out
    |   |   |   |   |   |
    |   |   |   |   |--- reftime
    |   |   |
    |   |   |--- docs
    |   |   |   |
    |   |   |   |--- 186.crafty.html
    |   |   |   |--- 186.crafty.txt
    |   |   |
    |   |   |--- exe
    |   |   |   |
    |   |   |   |--- crafty_base.O3
    |   |   |   |--- crafty_base.x86_linux
    |   |   |   |--- crafty_peak.x86_linux
    |   |   |
    |   |   |--- result/
    |   |   |--- run
    |   |   |   |
    |   |   |   |--- 00000001
    |   |   |   |   |
    |   |   |   |   |--- Makefile
    |   |   |   |   |--- Makefile.spec
    |   |   |   |   |--- attacks.c
    |   |   |   |   |--- attacks.o
    |   |   |   |   |--- boolean.c
    |   |   |   |   |--- boolean.o
    |   |   |   |   |--- chess.h
    |   |   |   |   |--- crafty
    |   |   |   |   |--- data.c
    |   |   |   |   |--- data.h
    |   |   |   |   |--- draw.c
    |   |   |   |   |--- draw.o
    |   |   |   |   |--- drawn.c
    |   |   |   |   |--- drawn.o
    |   |   |   |   |--- edit.c
    |   |   |   |   |--- edit.o
    |   |   |   |   |--- enprise.c
    |   |   |   |   |--- enprise.o
    |   |   |   |   |--- evaluate.c
    |   |   |   |   |--- evaluate.h
    |   |   |   |   |--- evaluate.o
    |   |   |   |   |--- history.c
    |   |   |   |   |--- history.o
    |   |   |   |   |--- init.c
    |   |   |   |   |--- init.o
    |   |   |   |   |--- initdata.h
    |   |   |   |   |--- input.c
    |   |   |   |   |--- input.o
    |   |   |   |   |--- interupt.c
    |   |   |   |   |--- interupt.o
    |   |   |   |   |--- iterate.c
    |   |   |   |   |--- iterate.o
    |   |   |   |   |--- lookup.c
    |   |   |   |   |--- lookup.o
    |   |   |   |   |--- main.c
    |   |   |   |   |--- main.o
    |   |   |   |   |--- make.c
    |   |   |   |   |--- make.err
    |   |   |   |   |--- make.o
    |   |   |   |   |--- make.out
    |   |   |   |   |--- movgen.c

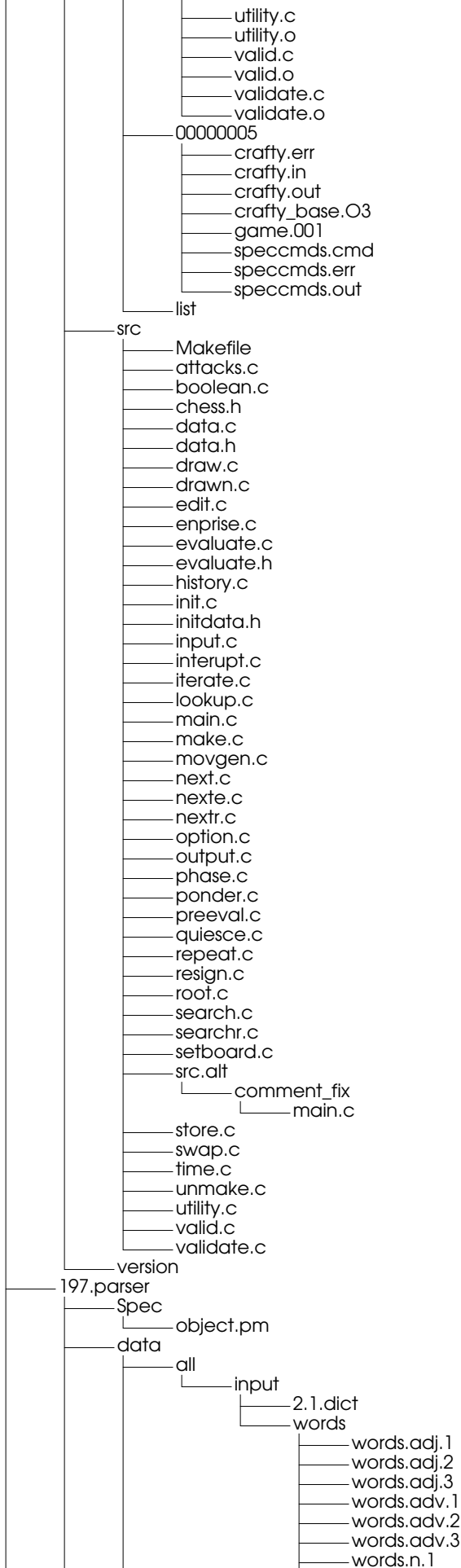
```

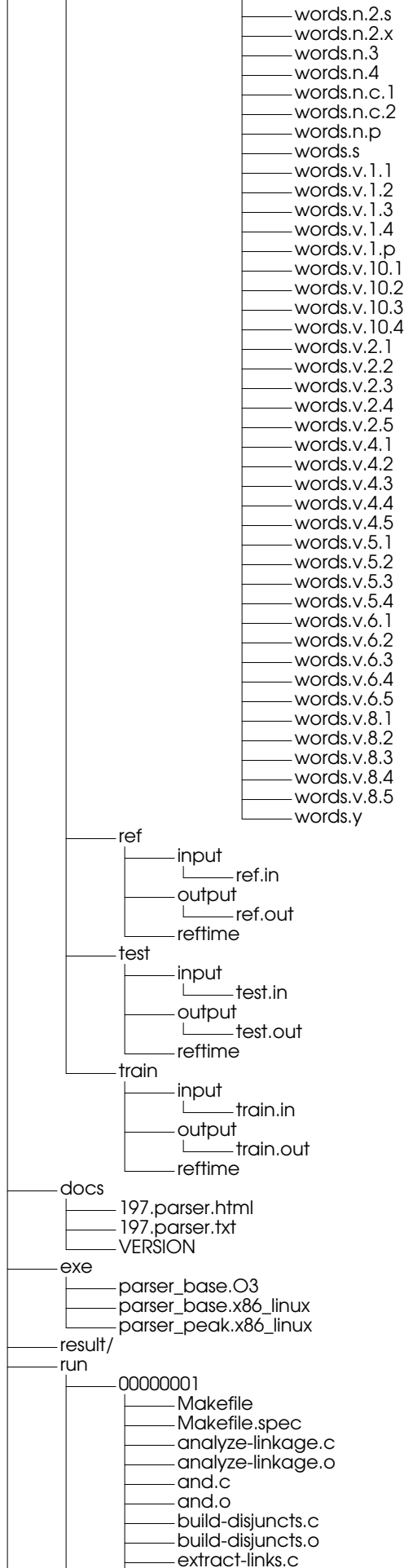
```

—— movgen.o
—— next.c
—— next.o
—— nexte.c
—— nexte.o
—— nextr.c
—— nextr.o
—— option.c
—— option.o
—— options.err
—— options.out
—— output.c
—— output.o
—— phase.c
—— phase.o
—— ponder.c
—— ponder.o
—— preeval.c
—— preeval.o
—— quiesce.c
—— quiesce.o
—— repeat.c
—— repeat.o
—— resign.c
—— root.c
—— root.o
—— search.c
—— search.o
—— searchr.c
—— searchr.o
—— setboard.c
—— setboard.o
—— src.alt
  —— comment_fix
  —— main.c
—— store.c
—— store.o
—— swap.c
—— swap.o
—— time.c
—— time.o
—— unmake.c
—— unmake.o
—— utility.c
—— utility.o
—— valid.c
—— valid.o
—— validate.c
—— validate.o
00000002
—— compare.cmd
—— compare.err
—— compare.out
—— crafty.err
—— crafty.in
—— crafty.out
—— crafty.out.cmp
—— crafty_base.x86_linux
—— game.001
—— speccmds.cmd
—— speccmds.err
—— speccmds.out
00000003
—— compare.cmd
—— compare.err
—— compare.out
—— crafty.err
—— crafty.in
—— crafty.out
—— crafty.out.cmp
—— crafty_peak.x86_linux
—— game.001
—— speccmds.cmd
—— speccmds.err
—— speccmds.out
00000004
—— Makefile
—— Makefile.spec
—— attacks.c
—— attacks.o

```

```
—— boolean.c
—— boolean.o
—— chess.h
—— crafty
—— data.c
—— data.h
—— draw.c
—— draw.o
—— drawn.c
—— drawn.o
—— edit.c
—— edit.o
—— enprise.c
—— enprise.o
—— evaluate.c
—— evaluate.h
—— evaluate.o
—— history.c
—— history.o
—— init.c
—— init.o
—— initdata.h
—— input.c
—— input.o
—— interupt.c
—— interupt.o
—— iterate.c
—— iterate.o
—— lookup.c
—— lookup.o
—— main.c
—— main.o
—— make.c
—— make.err
—— make.o
—— make.out
—— movgen.c
—— movgen.o
—— next.c
—— next.o
—— nexte.c
—— nexte.o
—— next.c
—— next.o
—— next.c
—— next.o
—— option.c
—— option.o
—— options.err
—— options.out
—— output.c
—— output.o
—— phase.c
—— phase.o
—— ponder.c
—— ponder.o
—— preeval.c
—— preeval.o
—— quiesce.c
—— quiesce.o
—— repeat.c
—— repeat.o
—— resign.c
—— root.c
—— root.o
—— search.c
—— search.o
—— searchr.c
—— searchr.o
—— setboard.c
—— setboard.o
—— src.alt
  |—— comment_fix
  |—— main.c
—— store.c
—— store.o
—— swap.c
—— swap.o
—— time.c
—— time.o
—— unmake.c
—— unmake.o
```





- _____ extract-links.o
- _____ fast-match.c
- _____ fast-match.o
- _____ header.h
- _____ idiom.c
- _____ idiom.o
- _____ main.c
- _____ main.o
- _____ make.err
- _____ make.out
- _____ message.c
- _____ message.o
- _____ options.err
- _____ options.out
- _____ parse.c
- _____ parse.o
- _____ parser
- _____ post-process.c
- _____ post-process.o
- _____ print.c
- _____ print.o
- _____ prune.c
- _____ prune.o
- _____ read-dict.c
- _____ read-dict.o
- _____ strncasecmp.c
- _____ strncasecmp.o
- _____ utilities.c
- _____ utilities.o
- _____ word-file.c
- _____ word-file.o
- _____ xalloc.c
- _____ xalloc.o
- _____ 00000002
- _____ 2.1.dict
- _____ compare.cmd
- _____ compare.err
- _____ compare.out
- _____ parser_base.x86_linux
- _____ ref.err
- _____ ref.in
- _____ ref.out
- _____ ref.out.cmp
- _____ speccmds.cmd
- _____ speccmds.err
- _____ speccmds.out
- _____ words
 - _____ words.adj.1
 - _____ words.adj.2
 - _____ words.adj.3
 - _____ words.adv.1
 - _____ words.adv.2
 - _____ words.adv.3
 - _____ words.n.1
 - _____ words.n.2.s
 - _____ words.n.2.x
 - _____ words.n.3
 - _____ words.n.4
 - _____ words.n.c.1
 - _____ words.n.c.2
 - _____ words.n.p
 - _____ words.s
 - _____ words.v.1.1
 - _____ words.v.1.2
 - _____ words.v.1.3
 - _____ words.v.1.4
 - _____ words.v.1.p
 - _____ words.v.10.1
 - _____ words.v.10.2
 - _____ words.v.10.3
 - _____ words.v.10.4
 - _____ words.v.2.1
 - _____ words.v.2.2
 - _____ words.v.2.3
 - _____ words.v.2.4
 - _____ words.v.2.5
 - _____ words.v.4.1
 - _____ words.v.4.2
 - _____ words.v.4.3
 - _____ words.v.4.4

- words.v.4.5
- words.v.5.1
- words.v.5.2
- words.v.5.3
- words.v.5.4
- words.v.6.1
- words.v.6.2
- words.v.6.3
- words.v.6.4
- words.v.6.5
- words.v.8.1
- words.v.8.2
- words.v.8.3
- words.v.8.4
- words.v.8.5
- words.y

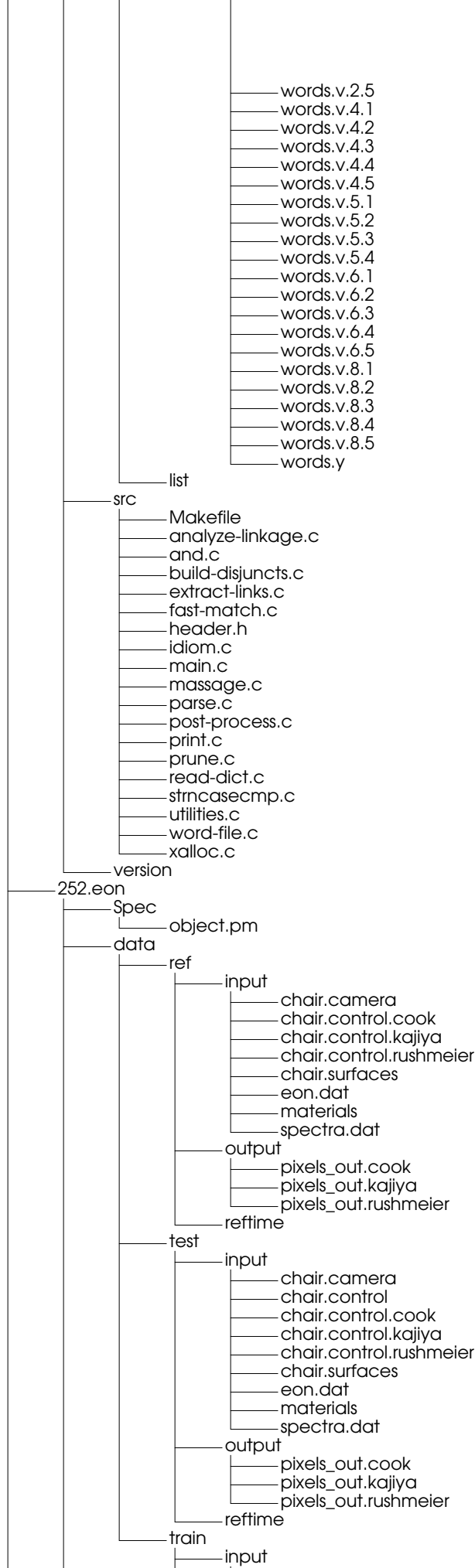
00000003

- 2.1.dict
- compare.cmd
- compare.err
- compare.out
- parser_peak.x86_linux
- ref.err
- ref.in
- ref.out
- ref.out.cmp
- speccmds.cmd
- speccmds.err
- speccmds.out
- words

- words.adj.1
- words.adj.2
- words.adj.3
- words.adv.1
- words.adv.2
- words.adv.3
- words.n.1
- words.n.2.s
- words.n.2.x
- words.n.3
- words.n.4
- words.n.c.1
- words.n.c.2
- words.n.p
- words.s
- words.v.1.1
- words.v.1.2
- words.v.1.3
- words.v.1.4
- words.v.1.p
- words.v.10.1
- words.v.10.2
- words.v.10.3
- words.v.10.4
- words.v.2.1
- words.v.2.2
- words.v.2.3
- words.v.2.4
- words.v.2.5
- words.v.4.1
- words.v.4.2
- words.v.4.3
- words.v.4.4
- words.v.4.5
- words.v.5.1
- words.v.5.2
- words.v.5.3
- words.v.5.4
- words.v.6.1
- words.v.6.2
- words.v.6.3
- words.v.6.4
- words.v.6.5
- words.v.8.1
- words.v.8.2
- words.v.8.3
- words.v.8.4
- words.v.8.5
- words.y

00000004

- Makefile
- Makefile.spec
- analyze-linkage.c
- analyze-linkage.o
- and.c
- and.o
- build-disjuncts.c
- build-disjuncts.o
- extract-links.c
- extract-links.o
- fast-match.c
- fast-match.o
- header.h
- idiom.c
- idiom.o
- main.c
- main.o
- make.err
- make.out
- message.c
- message.o
- options.err
- options.out
- parse.c
- parse.o
- parser
- post-process.c
- post-process.o
- print.c
- print.o
- prune.c
- prune.o
- read-dict.c
- read-dict.o
- strncasecmp.c
- strncasecmp.o
- utilities.c
- utilities.o
- word-file.c
- word-file.o
- xalloc.c
- xalloc.o
- 00000005
- 2.1.dict
- parser_base.O3
- ref.err
- ref.in
- ref.out
- speccmds.cmd
- speccmds.err
- speccmds.out
- words
 - words.adj.1
 - words.adj.2
 - words.adj.3
 - words.adv.1
 - words.adv.2
 - words.adv.3
 - words.n.1
 - words.n.2.s
 - words.n.2.x
 - words.n.3
 - words.n.4
 - words.n.c.1
 - words.n.c.2
 - words.n.p
 - words.s
 - words.v.1.1
 - words.v.1.2
 - words.v.1.3
 - words.v.1.4
 - words.v.1.p
 - words.v.10.1
 - words.v.10.2
 - words.v.10.3
 - words.v.10.4
 - words.v.2.1
 - words.v.2.2
 - words.v.2.3
 - words.v.2.4



- words.v.2.5
- words.v.4.1
- words.v.4.2
- words.v.4.3
- words.v.4.4
- words.v.4.5
- words.v.5.1
- words.v.5.2
- words.v.5.3
- words.v.5.4
- words.v.6.1
- words.v.6.2
- words.v.6.3
- words.v.6.4
- words.v.6.5
- words.v.8.1
- words.v.8.2
- words.v.8.3
- words.v.8.4
- words.v.8.5
- words.y

list

src

- Makefile
- analyze-linkage.c
- and.c
- build-disjuncts.c
- extract-links.c
- fast-match.c
- header.h
- idiom.c
- main.c
- massage.c
- parse.c
- post-process.c
- print.c
- prune.c
- read-dict.c
- strncasecmp.c
- utilities.c
- word-file.c
- xalloc.c

version

252.eon

Spec

- object.pm

data

ref

input

- chair.camera
- chair.control.cook
- chair.control.kajiya
- chair.control.rushmeier
- chair.surfaces
- eon.dat
- materials
- spectra.dat

output

- pixels_out.cook
- pixels_out.kajiya
- pixels_out.rushmeier

reftime

test

input

- chair.camera
- chair.control
- chair.control.cook
- chair.control.kajiya
- chair.control.rushmeier
- chair.surfaces
- eon.dat
- materials
- spectra.dat

output

- pixels_out.cook
- pixels_out.kajiya
- pixels_out.rushmeier

reftime

train

input

- chair.camera
- chair.control.cook
- chair.control.kajiya
- chair.control.rushmeier
- chair_surfaces
- eon.dat
- materials
- spectra.dat
- output
 - pixels_out.cook
 - pixels_out.kajiya
 - pixels_out.rushmeier
- reftime

- docs
 - 252.eon.html
 - 252.eon.txt
- exe
 - eon_base.x86_linux
 - eon_peak.x86_linux
- result/
- run
 - 00000001
 - Makefile
 - Makefile.spec
 - assert-local.h
 - bsd_time.h
 - eon
 - eon.cc
 - eon.o
 - eonImageCalculator.cc
 - eonImageCalculator.h
 - eonImageCalculator.o
 - gg.h
 - ggAll.h
 - ggBRDF.cc
 - ggBRDF.h
 - ggBRDF.o
 - ggBST.cc
 - ggBST.h
 - ggBoardFloorSolidTexture.cc
 - ggBoardFloorSolidTexture.h
 - ggBoardFloorSolidTexture.o
 - ggBoolean.h
 - ggBox2.cc
 - ggBox2.h
 - ggBox2.o
 - ggBox3.cc
 - ggBox3.h
 - ggBox3.o
 - ggBoxPixelFilter.cc
 - ggBoxPixelFilter.h
 - ggBoxPixelFilter.o
 - ggCamera.cc
 - ggCamera.h
 - ggCamera.o
 - ggConductorMaterial.cc
 - ggConductorMaterial.h
 - ggConductorMaterial.o
 - ggConstantMaterial.cc
 - ggConstantMaterial.h
 - ggConstants.h
 - ggCookSample3.cc
 - ggCookSample3.h
 - ggCoverageSolidTexture.cc
 - ggCoverageSolidTexture.h
 - ggCoverageSolidTexture.o
 - ggDictionary.h
 - ggDielectricMaterial.cc
 - ggDielectricMaterial.h
 - ggDielectricMaterial.o
 - ggDiffuseBRDF.cc
 - ggDiffuseBRDF.h
 - ggDiffuseBRDF.o
 - ggDiffuseMaterial.cc
 - ggDiffuseMaterial.h
 - ggDiffuseMaterial.o
 - ggEdgeDiscrepancy.cc
 - ggEdgeDiscrepancy.h
 - ggEdgeDiscrepancy.o
 - ggErr.cc

____ ggErr.h
____ ggErr.o
____ ggFPoint3.h
____ ggFineSpectrum.cc
____ ggFineSpectrum.h
____ ggFineSpectrum.o
____ ggFormat.cc
____ ggFormat.h
____ ggFormat.o
____ ggFrame2.cc
____ ggFrame2.h
____ ggFrame2.o
____ ggFrame3.cc
____ ggFrame3.h
____ ggFrame3.o
____ ggFrameInterpolation.cc
____ ggFrameInterpolation.h
____ ggFrameInterpolation.o
____ ggGE.h
____ ggGamma.cc
____ ggGamma.h
____ ggGamma.o
____ ggGeometry.cc
____ ggGeometry.h
____ ggGeometry.o
____ ggGrayPixel.h
____ ggGrayPixel_x.cc
____ ggGrayPixel_x.o
____ ggGrid.h
____ ggHAffineMatrix3.cc
____ ggHAffineMatrix3.h
____ ggHAffineMatrix3.o
____ ggHBoxMatrix3.cc
____ ggHBoxMatrix3.h
____ ggHBoxMatrix3.o
____ ggHMatrix3.cc
____ ggHMatrix3.h
____ ggHMatrix3.o
____ ggHPerspectiveMatrix3.cc
____ ggHPerspectiveMatrix3.h
____ ggHPerspectiveMatrix3.o
____ ggHPoint3.cc
____ ggHPoint3.h
____ ggHPoint3.o
____ ggHReflectionMatrix3.cc
____ ggHReflectionMatrix3.h
____ ggHRigidBodyMatrix3.cc
____ ggHRigidBodyMatrix3.h
____ ggHRigidBodyMatrix3.o
____ ggHRotationMatrix3.cc
____ ggHRotationMatrix3.h
____ ggHRotationMatrix3.o
____ ggHScaleMatrix3.cc
____ ggHScaleMatrix3.h
____ ggHScaleMatrix3.o
____ ggHShearMatrix3.cc
____ ggHShearMatrix3.h
____ ggHShearMatrix3.o
____ ggHTranslationMatrix3.cc
____ ggHTranslationMatrix3.h
____ ggHTranslationMatrix3.o
____ ggIO.cc
____ ggIO.h
____ ggIOhdr.h
____ ggJRSample2.cc
____ ggJRSample2.h
____ ggJRSample3.cc
____ ggJRSample3.h
____ ggJitterSample1.cc
____ ggJitterSample1.h
____ ggJitterSample1.o
____ ggJitterSample2.cc
____ ggJitterSample2.h
____ ggJitterSample2.o
____ ggJitterSample3.cc
____ ggJitterSample3.h
____ ggList.h
____ ggMacros.h
____ ggMaterial.cc
____ ggMaterial.h

— ggMaterial.o
— ggMetamer.h
— ggMultiJitterSample2.cc
— ggMultiJitterSample2.h
— ggMultiJitterSample3.cc
— ggMultiJitterSample3.h
— ggNA.cc
— ggNA.h
— ggNA.o
— ggNRooksSample2.cc
— ggNRooksSample2.h
— ggNRooksSample2.o
— ggNRooksSample3.cc
— ggNRooksSample3.h
— ggONB2.cc
— ggONB2.h
— ggONB2.o
— ggONB3.cc
— ggONB3.h
— ggONB3.o
— ggOakSolidTexture.cc
— ggOakSolidTexture.h
— ggOakSolidTexture.o
— ggOptics.cc
— ggOptics.h
— ggOptics.o
— ggPathDielectricMaterial.cc
— ggPathDielectricMaterial.h
— ggPathDielectricMaterial.o
— ggPermute.cc
— ggPermute.h
— ggPhongBRDF.cc
— ggPhongBRDF.h
— ggPhongBRDF.o
— ggPhotometer.h
— ggPinholeCamera.cc
— ggPinholeCamera.h
— ggPinholeCamera.o
— ggPixelFilter.cc
— ggPixelFilter.h
— ggPixelFilter.o
— ggPlane.cc
— ggPlane.h
— ggPlane.o
— ggPoint2.cc
— ggPoint2.h
— ggPoint2.o
— ggPoint3.cc
— ggPoint3.h
— ggPoint3.o
— ggPoissonDiskSample2.cc
— ggPoissonDiskSample2.h
— ggPoissonSphereSample3.cc
— ggPoissonSphereSample3.h
— ggPolishedBRDF.cc
— ggPolishedBRDF.h
— ggPolishedBRDF.o
— ggPolishedMaterial.cc
— ggPolishedMaterial.h
— ggPolishedMaterial.o
— ggPolygon.cc
— ggPolygon.h
— ggPolygon.o
— ggQuaternion.cc
— ggQuaternion.h
— ggQuaternion.o
— ggRGBE.cc
— ggRGBE.h
— ggRGBE.o
— ggRGBFPixel.cc
— ggRGBFPixel.h
— ggRGBFPixel.o
— ggRGBPixel.cc
— ggRGBPixel.h
— ggRGBPixel_x.cc
— ggRGBPixel_x.o
— ggRanNum.cc
— ggRanNum.h
— ggRandomSample2.cc
— ggRandomSample2.h

— ggRandomSample2.o
— ggRandomSample3.cc
— ggRandomSample3.h
— ggRandomSample3.o
— ggRange.cc
— ggRange.h
— ggRaster.cc
— ggRaster.h
— ggRasterSurfaceTexture.cc
— ggRasterSurfaceTexture.h
— ggRasterSurfaceTexture.o
— ggRay2.cc
— ggRay2.h
— ggRay2.o
— ggRay3.cc
— ggRay3.h
— ggRay3.o
— ggRectangle.h
— ggRegularSample2.cc
— ggRegularSample2.h
— ggRegularSample3.cc
— ggRegularSample3.h
— ggRotatingPinholeCamera.cc
— ggRotatingPinholeCamera.h
— ggRotatingPinholeCamera.o
— ggSample1.h
— ggSample2.h
— ggSample3.h
— ggSolidNoise2.cc
— ggSolidNoise2.h
— ggSolidNoise2.o
— ggSolidNoise3.cc
— ggSolidNoise3.h
— ggSolidNoise3.o
— ggSolidTexture.cc
— ggSolidTexture.h
— ggSolidTexture.o
— ggSpectrum.cc
— ggSpectrum.h
— ggSpectrum.o
— ggSpecularMaterial.cc
— ggSpecularMaterial.h
— ggSpecularMaterial.o
— ggSphere.cc
— ggSphere.h
— ggSphere.o
— ggSpline.cc
— ggSpline.h
— ggSpline.o
— ggStaticArray.cc
— ggStaticArray.h
— ggString.cc
— ggString.h
— ggString.o
— ggThinLensCamera.cc
— ggThinLensCamera.h
— ggThinLensCamera.o
— ggTimer.cc
— ggTimer.h
— ggTrain.cc
— ggTrain.h
— ggTriangle.h
— ggTrianglePixelFilter.cc
— ggTrianglePixelFilter.h
— ggTrianglePixelFilter.o
— ggVector2.cc
— ggVector2.h
— ggVector2.o
— ggVector3.cc
— ggVector3.h
— ggVector3.o
— kai.h
— make.err
— make.out
— mr.h
— mrBox.cc
— mrBox.h
— mrBox.o
— mrBruteForcePixelRenderer.cc
— mrBruteForcePixelRenderer.h

_____ mrBruteForcePixelRenderer.o
_____ mrCamera.cc
_____ mrCamera.h
_____ mrCamera.o
_____ mrChiuPixelRenderer.cc
_____ mrChiuPixelRenderer.h
_____ mrCoarsePixelRenderer.cc
_____ mrCoarsePixelRenderer.h
_____ mrCoarsePixelRenderer.o
_____ mrCookPixelRenderer.cc
_____ mrCookPixelRenderer.h
_____ mrCookPixelRenderer.o
_____ mrDiffuseAreaSphereLuminaire.cc
_____ mrDiffuseAreaSphereLuminaire.h
_____ mrDiffuseAreaSphereLuminaire.o
_____ mrDiffuseAreaTriangleLuminaire.cc
_____ mrDiffuseAreaTriangleLuminaire.h
_____ mrDiffuseAreaTriangleLuminaire.o
_____ mrDiffuseAreaXYRectangleLuminaire.cc
_____ mrDiffuseAreaXYRectangleLuminaire.h
_____ mrDiffuseAreaXYRectangleLuminaire.o
_____ mrDiffuseAreaXZRectangleLuminaire.cc
_____ mrDiffuseAreaXZRectangleLuminaire.h
_____ mrDiffuseAreaXZRectangleLuminaire.o
_____ mrDiffuseAreaYZRectangleLuminaire.cc
_____ mrDiffuseAreaYZRectangleLuminaire.h
_____ mrDiffuseAreaYZRectangleLuminaire.o
_____ mrDiffuseAreaZCylinderLuminaire.cc
_____ mrDiffuseAreaZCylinderLuminaire.h
_____ mrDiffuseAreaZCylinderLuminaire.o
_____ mrDiffuseCosineSphereLuminaire.cc
_____ mrDiffuseCosineSphereLuminaire.h
_____ mrDiffuseCosineSphereLuminaire.o
_____ mrDiffuseCosineZCylinderLuminaire.cc
_____ mrDiffuseCosineZCylinderLuminaire.h
_____ mrDiffuseCosineZCylinderLuminaire.o
_____ mrDiffuseSolidAngleSphereLuminaire.cc
_____ mrDiffuseSolidAngleSphereLuminaire.h
_____ mrDiffuseSolidAngleSphereLuminaire.o
_____ mrDiffuseVisibleAreaZCylinderLuminaire.cc
_____ mrDiffuseVisibleAreaZCylinderLuminaire.h
_____ mrDiffuseVisibleAreaZCylinderLuminaire.o
_____ mrEmitter.cc
_____ mrEmitter.h
_____ mrEmitter.o
_____ mrFastTriangle.cc
_____ mrFastTriangle.h
_____ mrFastTriangle.o
_____ mrGrid.cc
_____ mrGrid.h
_____ mrGrid.o
_____ mrImposter.cc
_____ mrImposter.h
_____ mrImposter.o
_____ mrIndirectPixelRenderer.cc
_____ mrIndirectPixelRenderer.h
_____ mrIndirectPixelRenderer.o
_____ mrInstance.cc
_____ mrInstance.h
_____ mrInstance.o
_____ mrKajiyaPixelRenderer.cc
_____ mrKajiyaPixelRenderer.h
_____ mrKajiyaPixelRenderer.o
_____ mrLinkedObjects.cc
_____ mrLinkedObjects.h
_____ mrLinkedObjects.o
_____ mrMaterial.cc
_____ mrMaterial.h
_____ mrMaterial.o
_____ mrObjectRecord.cc
_____ mrObjectRecord.h
_____ mrObjectRecord.o
_____ mrPhongAreaTriangleLuminaire.cc
_____ mrPhongAreaTriangleLuminaire.h
_____ mrPhongAreaTriangleLuminaire.o
_____ mrPhongAreaXYRectangleLuminaire.cc
_____ mrPhongAreaXYRectangleLuminaire.h
_____ mrPhongAreaXYRectangleLuminaire.o
_____ mrPhongAreaXZRectangleLuminaire.cc
_____ mrPhongAreaXZRectangleLuminaire.h

— mrPhongAreaXZRectangleLuminaire.o
— mrPhongAreaYZRectangleLuminaire.cc
— mrPhongAreaYZRectangleLuminaire.h
— mrPhongAreaYZRectangleLuminaire.o
— mrPixelRenderer.h
— mrPolygon.cc
— mrPolygon.h
— mrPolygon.o
— mrRushmeierPixelRenderer.cc
— mrRushmeierPixelRenderer.h
— mrRushmeierPixelRenderer.o
— mrScene.cc
— mrScene.h
— mrScene.o
— mrShellLuminaire.cc
— mrShellLuminaire.h
— mrShellLuminaire.o
— mrSolidTexture.cc
— mrSolidTexture.h
— mrSolidTexture.o
— mrSphere.cc
— mrSphere.h
— mrSphere.o
— mrSpotAreaXYDiskLuminaire.cc
— mrSpotAreaXYDiskLuminaire.h
— mrSpotAreaXYDiskLuminaire.o
— mrSurface.cc
— mrSurface.h
— mrSurface.o
— mrSurfaceList.cc
— mrSurfaceList.h
— mrSurfaceList.o
— mrSurfaceTexture.cc
— mrSurfaceTexture.h
— mrSurfaceTexture.o
— mrTriangle.cc
— mrTriangle.h
— mrTriangle.o
— mrXCylinder.cc
— mrXCylinder.h
— mrXCylinder.o
— mrXEllipticalCylinder.cc
— mrXEllipticalCylinder.h
— mrXEllipticalCylinder.o
— mrXYDisk.cc
— mrXYDisk.h
— mrXYDisk.o
— mrXYRectangle.cc
— mrXYRectangle.h
— mrXYRectangle.o
— mrXZDisk.cc
— mrXZDisk.h
— mrXZDisk.o
— mrXZRectangle.cc
— mrXZRectangle.h
— mrXZRectangle.o
— mrYCylinder.cc
— mrYCylinder.h
— mrYCylinder.o
— mrYEllipticalCylinder.cc
— mrYEllipticalCylinder.h
— mrYEllipticalCylinder.o
— mrYZDisk.cc
— mrYZDisk.h
— mrYZDisk.o
— mrYZRectangle.cc
— mrYZRectangle.h
— mrYZRectangle.o
— mrZCylinder.cc
— mrZCylinder.h
— mrZCylinder.o
— mrZEllipticalCylinder.cc
— mrZEllipticalCylinder.h
— mrZEllipticalCylinder.o
— myrand.cc
— myrand.h
— myrand.o
— options.err
— options.out

— 00000002

- _____ chair.camera
- _____ chair.control.cook
- _____ chair.control.kajiya
- _____ chair.control.rushmeier
- _____ chair.cook.ppm
- _____ chair.kajiya.ppm
- _____ chair.rushmeier.ppm
- _____ chair-surfaces
- _____ compare.cmd
- _____ compare.err
- _____ compare.out
- _____ cook_log.err
- _____ cook_log.out
- _____ eon.dat
- _____ eon_base.x86_linux
- _____ kajiya_log.err
- _____ kajiya_log.out
- _____ materials
- _____ pixels_out.cook
- _____ pixels_out.cook.cmp
- _____ pixels_out.kajiya
- _____ pixels_out.kajiya.cmp
- _____ pixels_out.rushmeier
- _____ pixels_out.rushmeier.cmp
- _____ rushmeier_log.err
- _____ rushmeier_log.out
- _____ speccmds.cmd
- _____ speccmds.err
- _____ speccmds.out
- _____ spectra.dat

00000003

- _____ chair.camera
- _____ chair.control.cook
- _____ chair.control.kajiya
- _____ chair.control.rushmeier
- _____ chair.cook.ppm
- _____ chair.kajiya.ppm
- _____ chair.rushmeier.ppm
- _____ chair-surfaces
- _____ compare.cmd
- _____ compare.err
- _____ compare.out
- _____ cook_log.err
- _____ cook_log.out
- _____ eon.dat
- _____ eon_peak.x86_linux
- _____ kajiya_log.err
- _____ kajiya_log.out
- _____ materials
- _____ pixels_out.cook
- _____ pixels_out.cook.cmp
- _____ pixels_out.kajiya
- _____ pixels_out.kajiya.cmp
- _____ pixels_out.rushmeier
- _____ pixels_out.rushmeier.cmp
- _____ rushmeier_log.err
- _____ rushmeier_log.out
- _____ speccmds.cmd
- _____ speccmds.err
- _____ speccmds.out
- _____ spectra.dat

list

src

- _____ Makefile
- _____ assert-local.h
- _____ bsd_time.h
- _____ eon.cc
- _____ eonImageCalculator.cc
- _____ eonImageCalculator.h
- _____ gg.h
- _____ ggAll.h
- _____ ggBRDF.cc
- _____ ggBRDF.h
- _____ ggBST.cc
- _____ ggBST.h
- _____ ggBoardFloorSolidTexture.cc
- _____ ggBoardFloorSolidTexture.h
- _____ ggBoolean.h
- _____ ggBox2.cc
- _____ ggBox2.h

ggBox3.cc
ggBox3.h
ggBoxPixelFilter.cc
ggBoxPixelFilter.h
ggCamera.cc
ggCamera.h
ggConductorMaterial.cc
ggConductorMaterial.h
ggConstantMaterial.cc
ggConstantMaterial.h
ggConstants.h
ggCookSample3.cc
ggCookSample3.h
ggCoverageSolidTexture.cc
ggCoverageSolidTexture.h
ggDictionary.h
ggDielectricMaterial.cc
ggDielectricMaterial.h
ggDiffuseBRDF.cc
ggDiffuseBRDF.h
ggDiffuseMaterial.cc
ggDiffuseMaterial.h
ggEdgeDiscrepancy.cc
ggEdgeDiscrepancy.h
ggErr.cc
ggErr.h
ggFPoint3.h
ggFineSpectrum.cc
ggFineSpectrum.h
ggFormat.cc
ggFormat.h
ggFrame2.cc
ggFrame2.h
ggFrame3.cc
ggFrame3.h
ggFrameInterpolation.cc
ggFrameInterpolation.h
ggGE.h
ggGamma.cc
ggGamma.h
ggGeometry.cc
ggGeometry.h
ggGrayPixel.h
ggGrayPixel_x.cc
ggGrid.h
ggHAffineMatrix3.cc
ggHAffineMatrix3.h
ggHBoxMatrix3.cc
ggHBoxMatrix3.h
ggHMatrix3.cc
ggHMatrix3.h
ggHPerspectiveMatrix3.cc
ggHPerspectiveMatrix3.h
ggHPoint3.cc
ggHPoint3.h
ggHReflectionMatrix3.cc
ggHReflectionMatrix3.h
ggHRigidBodyMatrix3.cc
ggHRigidBodyMatrix3.h
ggHRotationMatrix3.cc
ggHRotationMatrix3.h
ggHScaleMatrix3.cc
ggHScaleMatrix3.h
ggHShearMatrix3.cc
ggHShearMatrix3.h
ggHTranslationMatrix3.cc
ggHTranslationMatrix3.h
ggIO.cc
ggIO.h
ggIOhdr.h
ggJRSample2.cc
ggJRSample2.h
ggJRSample3.cc
ggJRSample3.h
ggJitterSample1.cc
ggJitterSample1.h
ggJitterSample2.cc
ggJitterSample2.h
ggJitterSample3.cc
ggJitterSample3.h

- ggList.h
- ggMacros.h
- ggMaterial.cc
- ggMaterial.h
- ggMetamer.h
- ggMultiJitterSample2.cc
- ggMultiJitterSample2.h
- ggMultiJitterSample3.cc
- ggMultiJitterSample3.h
- ggNA.cc
- ggNA.h
- ggNRooksSample2.cc
- ggNRooksSample2.h
- ggNRooksSample3.cc
- ggNRooksSample3.h
- ggONB2.cc
- ggONB2.h
- ggONB3.cc
- ggONB3.h
- ggOakSolidTexture.cc
- ggOakSolidTexture.h
- ggOptics.cc
- ggOptics.h
- ggPathDielectricMaterial.cc
- ggPathDielectricMaterial.h
- ggPermute.cc
- ggPermute.h
- ggPhongBRDF.cc
- ggPhongBRDF.h
- ggPhotometer.h
- ggPinholeCamera.cc
- ggPinholeCamera.h
- ggPixelFilter.cc
- ggPixelFilter.h
- ggPlane.cc
- ggPlane.h
- ggPoint2.cc
- ggPoint2.h
- ggPoint3.cc
- ggPoint3.h
- ggPoissonDiskSample2.cc
- ggPoissonDiskSample2.h
- ggPoissonSphereSample3.cc
- ggPoissonSphereSample3.h
- ggPolishedBRDF.cc
- ggPolishedBRDF.h
- ggPolishedMaterial.cc
- ggPolishedMaterial.h
- ggPolygon.cc
- ggPolygon.h
- ggQuaternion.cc
- ggQuaternion.h
- ggRGBE.cc
- ggRGBE.h
- ggRGBFPixel.cc
- ggRGBFPixel.h
- ggRGBPixel.cc
- ggRGBPixel.h
- ggRGBPixel_x.cc
- ggRanNum.cc
- ggRanNum.h
- ggRandomSample2.cc
- ggRandomSample2.h
- ggRandomSample3.cc
- ggRandomSample3.h
- ggRange.cc
- ggRange.h
- ggRaster.cc
- ggRaster.h
- ggRasterSurfaceTexture.cc
- ggRasterSurfaceTexture.h
- ggRay2.cc
- ggRay2.h
- ggRay3.cc
- ggRay3.h
- ggRectangle.h
- ggRegularSample2.cc
- ggRegularSample2.h
- ggRegularSample3.cc
- ggRegularSample3.h

— ggRotatingPinholeCamera.cc
— ggRotatingPinholeCamera.h
— ggSample1.h
— ggSample2.h
— ggSample3.h
— ggSolidNoise2.cc
— ggSolidNoise2.h
— ggSolidNoise3.cc
— ggSolidNoise3.h
— ggSolidTexture.cc
— ggSolidTexture.h
— ggSpectrum.cc
— ggSpectrum.h
— ggSpecularMaterial.cc
— ggSpecularMaterial.h
— ggSphere.cc
— ggSphere.h
— ggSpline.cc
— ggSpline.h
— ggStaticArray.cc
— ggStaticArray.h
— ggString.cc
— ggString.h
— ggThinLensCamera.cc
— ggThinLensCamera.h
— ggTimer.cc
— ggTimer.h
— ggTrain.cc
— ggTrain.h
— ggTriangle.h
— ggTrianglePixelFilter.cc
— ggTrianglePixelFilter.h
— ggVector2.cc
— ggVector2.h
— ggVector3.cc
— ggVector3.h
— kai.h
— mr.h
— mrBox.cc
— mrBox.h
— mrBruteForcePixelRenderer.cc
— mrBruteForcePixelRenderer.h
— mrCamera.cc
— mrCamera.h
— mrChiuPixelRenderer.cc
— mrChiuPixelRenderer.h
— mrCoarsePixelRenderer.cc
— mrCoarsePixelRenderer.h
— mrCookPixelRenderer.cc
— mrCookPixelRenderer.h
— mrDiffuseAreaSphereLuminaire.cc
— mrDiffuseAreaSphereLuminaire.h
— mrDiffuseAreaTriangleLuminaire.cc
— mrDiffuseAreaTriangleLuminaire.h
— mrDiffuseAreaXYRectangleLuminaire.cc
— mrDiffuseAreaXYRectangleLuminaire.h
— mrDiffuseAreaXZRectangleLuminaire.cc
— mrDiffuseAreaXZRectangleLuminaire.h
— mrDiffuseAreaYZRectangleLuminaire.cc
— mrDiffuseAreaYZRectangleLuminaire.h
— mrDiffuseAreaZCylinderLuminaire.cc
— mrDiffuseAreaZCylinderLuminaire.h
— mrDiffuseCosineSphereLuminaire.cc
— mrDiffuseCosineSphereLuminaire.h
— mrDiffuseCosineZCylinderLuminaire.cc
— mrDiffuseCosineZCylinderLuminaire.h
— mrDiffuseSolidAngleSphereLuminaire.cc
— mrDiffuseSolidAngleSphereLuminaire.h
— mrDiffuseVisibleAreaZCylinderLuminaire.cc
— mrDiffuseVisibleAreaZCylinderLuminaire.h
— mrEmitter.cc
— mrEmitter.h
— mrFastTriangle.cc
— mrFastTriangle.h
— mrGrid.cc
— mrGrid.h
— mrImposter.cc
— mrImposter.h
— mrIndirectPixelRenderer.cc
— mrIndirectPixelRenderer.h

```

_____ mrInstance.cc
_____ mrInstance.h
_____ mrKajiyaPixelRenderer.cc
_____ mrKajiyaPixelRenderer.h
_____ mrLinkedObjects.cc
_____ mrLinkedObjects.h
_____ mrMaterial.cc
_____ mrMaterial.h
_____ mrObjectRecord.cc
_____ mrObjectRecord.h
_____ mrPhongAreaTriangleLuminaire.cc
_____ mrPhongAreaTriangleLuminaire.h
_____ mrPhongAreaXYRectangleLuminaire.cc
_____ mrPhongAreaXYRectangleLuminaire.h
_____ mrPhongAreaXZRectangleLuminaire.cc
_____ mrPhongAreaXZRectangleLuminaire.h
_____ mrPhongAreaYZRectangleLuminaire.cc
_____ mrPhongAreaYZRectangleLuminaire.h
_____ mrPixelRenderer.h
_____ mrPolygon.cc
_____ mrPolygon.h
_____ mrRushmeierPixelRenderer.cc
_____ mrRushmeierPixelRenderer.h
_____ mrScene.cc
_____ mrScene.h
_____ mrShellLuminaire.cc
_____ mrShellLuminaire.h
_____ mrSolidTexture.cc
_____ mrSolidTexture.h
_____ mrSphere.cc
_____ mrSphere.h
_____ mrSpotAreaXYDiskLuminaire.cc
_____ mrSpotAreaXYDiskLuminaire.h
_____ mrSurface.cc
_____ mrSurface.h
_____ mrSurfaceList.cc
_____ mrSurfaceList.h
_____ mrSurfaceTexture.cc
_____ mrSurfaceTexture.h
_____ mrTriangle.cc
_____ mrTriangle.h
_____ mrXCylinder.cc
_____ mrXCylinder.h
_____ mrXEllipticalCylinder.cc
_____ mrXEllipticalCylinder.h
_____ mrXYDisk.cc
_____ mrXYDisk.h
_____ mrXYRectangle.cc
_____ mrXYRectangle.h
_____ mrXZDisk.cc
_____ mrXZDisk.h
_____ mrXZRectangle.cc
_____ mrXZRectangle.h
_____ mrYCylinder.cc
_____ mrYCylinder.h
_____ mrYEllipticalCylinder.cc
_____ mrYEllipticalCylinder.h
_____ mrYZDisk.cc
_____ mrYZDisk.h
_____ mrYZRectangle.cc
_____ mrYZRectangle.h
_____ mrZCylinder.cc
_____ mrZCylinder.h
_____ mrZEllipticalCylinder.cc
_____ mrZEllipticalCylinder.h
_____ myrand.cc
_____ myrand.h
_____ version
_____ 253.perlbnk
_____ Spec
_____ object.pm
_____ data
_____ all
_____ input
_____ benums
_____ cpu2000_mhonarc.rc
_____ diffmail.pl
_____ lenums
_____ lib
_____ Cwd.pm

```



```

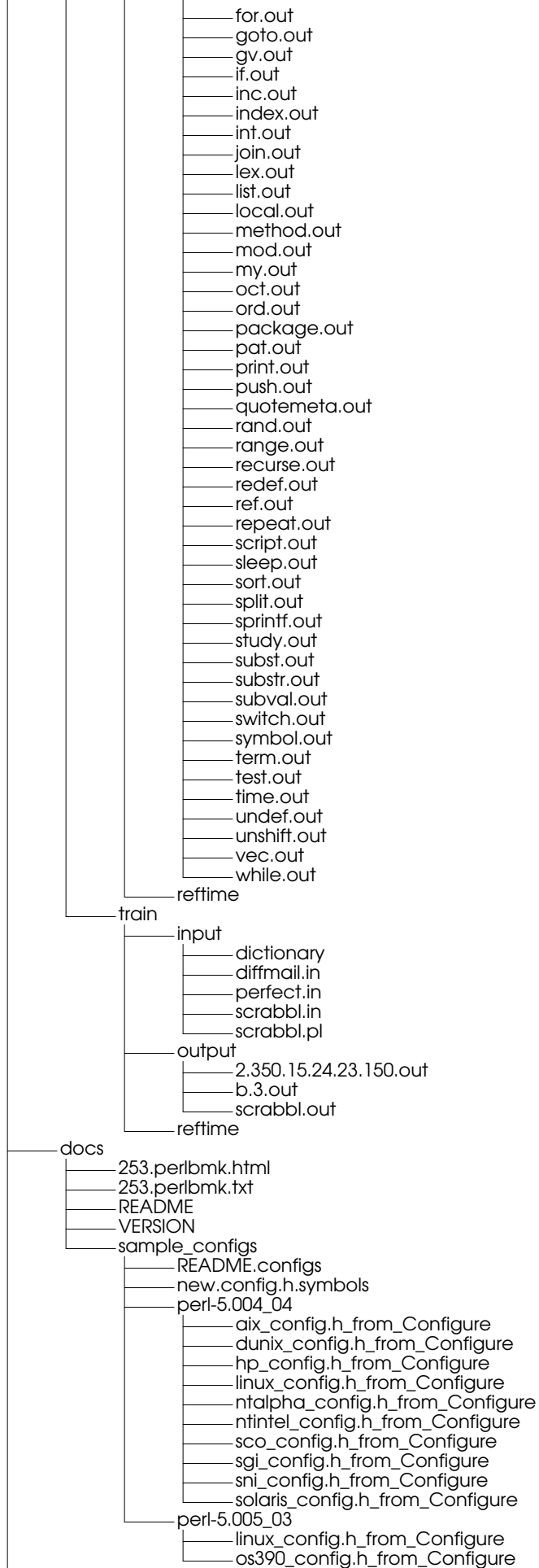
Date
├── Format.pm
├── Parse.pm
Exporter.pm
File
├── Basename.pm
Getopt
├── Long.pm
IO
├── Scalar.pm
MD5.pm
Mail
├── Header.pm
├── Util.pm
Math
├── BigInt.pm
Time
├── Local.pm
├── Zone.pm
base64.pl
compare.pm
ewhutil.pl
iso8859.pl
mailcomp.pm
mhamain.pl
mhdb.pl
mhdysub.pl
mhexternal.pl
mhfile.pl
mhidxrc.pl
mhindex.pl
mhinit.pl
mhmimetypes.pl
mhmsgfile.pl
mhnote.pl
mhnull.pl
mhopt.pl
mhrcfile.pl
mhrcvars.pl
mhrmm.pl
mhscan.pl
mhsingle.pl
mhthread.pl
mhtime.pl
mhtxtenrich.pl
mhtxthtml.pl
mhtxtplain.pl
mhtxtsetext.pl
mhtxttsv.pl
mhusage.pl
mhutil.pl
mungewords
osinit.pl
overload.pm
qprint.pl
readmail.pl
rfc822.pl
specdiff.pm
strict.pm
timelocal.pl
vars.pm
perfect.pl
ref
├── input
│   ├── diffmail.in
│   ├── makerand.pl
│   ├── perfect.in
│   ├── splitmail.in
│   └── splitmail.pl
├── output
│   ├── 2.550.15.24.23.100.out
│   ├── 535.13.25.24.1091.out
│   ├── 704.12.26.16.836.out
│   ├── 850.5.19.18.1500.out
│   ├── 957.12.23.26.1014.out
│   ├── b.3.m.4.out
│   └── makerand.out
└── reftime
test
├── input

```

- English.pm
- Exporter.pm
- Symbol.pm
- append.t
- arith.t
- array.t
- auto.t
- chop.t
- cmdopt.t
- cmp.t
- cond.t
- decl.t
- delete.t
- do.t
- each.t
- elsif.t
- eval.t
- exp.t
- for.t
- goto.t
- gv.t
- if.t
- inc.t
- index.t
- int.t
- join.t
- lex.t
- list.t
- local.t
- method.t
- mod.t
- my.t
- oct.t
- ord.t
- package.t
- pat.t
- print.t
- push.t
- quotemeta.t
- rand.t
- range.t
- recurse.t
- redef.t
- ref.t
- repeat.t
- script.t
- sleep.t
- sort.t
- split.t
- sprintf.t
- study.t
- subst.t
- substr.t
- subval.t
- switch.t
- symbol.t
- term.t
- test.in
- test.pl
- time.t
- undef.t
- unshift.t
- vec.t
- while.t

output

- append.out
- arith.out
- array.out
- auto.out
- chop.out
- cmdopt.out
- cmp.out
- cond.out
- decl.out
- delete.out
- do.out
- each.out
- elsif.out
- eval.out
- exp.out



```
exe/
result/
run
00000001
Dynaloder.pm
EXTERN.h
INTERN.h
MD5.c
Makefile
Makefile.spec
XSUB.h
XLock.h
av.c
av.h
av.o
bytecode.h
byterun.c
byterun.h
byterun.o
cc_runtime.h
config.h
cop.h
cv.h
deb.c
deb.o
doio.c
doio.o
doop.c
doop.o
dosish.h
dump.c
dump.o
ebcdic.c
ebcdic.o
embed.h
embedvar.h
extra
├── makenums.c
fake_dyna.c
fake_dyna.o
fakethr.h
form.h
global.h
globals.c
globals.o
gv.c
gv.h
gv.o
handy.h
hv.c
hv.h
hv.o
intrapvar.h
iperlsys.h
keywords.h
make.err
make.out
md5.h
md5c.c
mg.c
mg.h
nostdio.h
nt_perlmain.c
objXSUB.h
objpp.h
op.c
op.h
opcode.h
patchlevel.h
perl.c
perl.h
perlhost.h
perlio.c
perlio.h
perllib.c
perlsdio.h
perlsfio.h
perlvars.h
perly.c
perly.h
```

```

—— pp.c
—— pp.h
—— pp_ctl.c
—— pp_hot.c
—— pp_proto.h
—— pp_sys.c
—— proto.h
—— regcomp.c
—— regcomp.h
—— regex.c
—— regexp.h
—— regnodes.h
—— run.c
—— scope.c
—— scope.h
—— spec_config.h
—— src.alt
  |—— original_parser_source
  |   |—— perly_fixer
  |   |—— perly.y
—— sv.c
—— sv.h
—— taint.c
—— thrdvar.h
—— thread.h
—— token.c
—— universal.c
—— unix_perlmain.c
—— unixish.h
—— util.c
—— util.h
—— win32
  |—— arpa
  |   |—— inet.h
  |—— dirent.h
  |—— netdb.h
  |—— sys
  |   |—— socket.h
—— win32.c
—— win32.h
—— win32iop.h
—— win32sck.c
—— win32thread.c
—— win32thread.h
00000002
—— DynaLoader.pm
—— EXTERN.h
—— INTERN.h
—— MD5.c
—— Makefile
—— Makefile.spec
—— XSUB.h
—— XSlock.h
—— av.c
—— av.h
—— av.o
—— bytecode.h
—— byterun.c
—— byterun.h
—— byterun.o
—— cc_runtime.h
—— config.h
—— cop.h
—— cv.h
—— deb.c
—— deb.o
—— doio.c
—— doio.o
—— doop.c
—— doop.o
—— dosish.h
—— dump.c
—— dump.o
—— ebcdic.c
—— ebcdic.o
—— embed.h
—— embedvar.h
—— extra
  |—— makenums.c
—— fake_dyna.c

```

- fake_dyna.o
- fakethr.h
- form.h
- global.h
- globals.c
- globals.o
- gv.c
- gv.h
- gv.o
- handy.h
- hv.c
- hv.h
- hv.o
- intrpvar.h
- ipersys.h
- keywords.h
- make.err
- make.out
- md5.h
- md5c.c
- mg.c
- mg.h
- mg.o
- nostdio.h
- nt_perlmain.c
- objXSUB.h
- objpp.h
- op.c
- op.h
- op.o
- opcode.h
- options.err
- options.out
- patchlevel.h
- perl.c
- perl.h
- perl.o
- perlhost.h
- perlio.c
- perlio.h
- perllib.c
- perlsdio.h
- perlsfio.h
- perlvars.h
- perly.c
- perly.h
- pp.c
- pp.h
- pp_ctl.c
- pp_hot.c
- pp_proto.h
- pp_sys.c
- proto.h
- regcomp.c
- regcomp.h
- regex.c
- regexp.h
- regnodes.h
- run.c
- scope.c
- scope.h
- spec_config.h
- src.alf
 - original_parser_source
 - perly_fixer
 - perly.y
- sv.c
- sv.h
- taint.c
- thrdvar.h
- thread.h
- token.c
- universal.c
- unix_perlmain.c
- unixish.h
- util.c
- util.h
- win32
 - arpa
 - inet.h

```

      dirent.h
      netdb.h
      sys
      socket.h

      win32.c
      win32.h
      win32iop.h
      win32sck.c
      win32thread.c
      win32thread.h
      list
src
  DynaLoader.pm
  EXTERN.h
  INTERN.h
  MD5.c
  Makefile
  XSUB.h
  XStlock.h
  av.c
  av.h
  bytecode.h
  byterun.c
  byterun.h
  cc_runtime.h
  config.h
  cop.h
  cv.h
  deb.c
  doio.c
  doop.c
  dosish.h
  dump.c
  ebcdic.c
  embed.h
  embedvar.h
  extra
    makenums.c
  fake_dyna.c
  fakethr.h
  form.h
  global.h
  globals.c
  gv.c
  gv.h
  handy.h
  hv.c
  hv.h
  intrpvar.h
  iperlsys.h
  keywords.h
  md5.h
  md5c.c
  mg.c
  mg.h
  nostdio.h
  nt_perlmain.c
  objXSUB.h
  objpp.h
  op.c
  op.h
  opcode.h
  patchlevel.h
  perl.c
  perl.h
  perlhost.h
  perlio.c
  perlio.h
  perllib.c
  perlsdio.h
  perlsfio.h
  perlvars.h
  perly.c
  perly.h
  pp.c
  pp.h
  pp_ctl.c
  pp_hot.c
  pp_proto.h
  pp_sys.c

```

```

— proto.h
— regcomp.c
— regcomp.h
— regex.c
— regexp.h
— regnodes.h
— run.c
— scope.c
— scope.h
— spec_config.h
— src.alt
  |— original_parser_source
  |   |— perly_fixer
  |   |— perly.y
— sv.c
— sv.h
— taint.c
— thrdvar.h
— thread.h
— toke.c
— universal.c
— unix_perlmain.c
— unixish.h
— util.c
— util.h
— win32
  |— arpa
  |   |— inet.h
  |— dirent.h
  |— netdb.h
  |— sys
  |   |— socket.h
— win32.c
— win32.h
— win32iop.h
— win32sck.c
— win32thread.c
— win32thread.h
— version
— 254.gap
— Spec
  |— object.pm
— data
  |— all
  |   |— input
  |       |— abattoir.g
  |       |— agcent.g
  |       |— agclass.g
  |       |— agcomple.g
  |       |— agcoset.g
  |       |— agctbl.g
  |       |— aggroup.g
  |       |— aghall.g
  |       |— aghomomo.g
  |       |— aginters.g
  |       |— agnorm.g
  |       |— agprops.g
  |       |— agsubgrp.g
  |       |— agwords.g
  |       |— algebra.g
  |       |— algfac.g
  |       |— algfld.g
  |       |— algfp.g
  |       |— alghomom.g
  |       |— algmat.g
  |       |— basic.grp
  |       |— cdaggrp.g
  |       |— chartabl.g
  |       |— classfun.g
  |       |— combinat.g
  |       |— ctautoms.g
  |       |— ctbasic.g
  |       |— ctcharac.g
  |       |— ctfilter.g
  |       |— ctgapmoc.g
  |       |— ctgeneri.g
  |       |— ctlattic.g
  |       |— ctmapcon.g
  |       |— ctmapusi.g
  |       |— ctpermch.g

```



```

_____ ctpgrp.g
_____ ctsymmet.g
_____ cyclotom.g
_____ dispatch.g
_____ domain.g
_____ field.g
_____ finfield.g
_____ fpgroup.g
_____ fpsgpres.g
_____ fptietze.g
_____ galois.g
_____ gaussian.g
_____ group.g
_____ grpcoset.g
_____ grpctbl.g
_____ grpelms.g
_____ grphomom.g
_____ grplatt.g
_____ grpprods.g
_____ init.g
_____ integer.g
_____ lattperf.g
_____ list.g
_____ mapping.g
_____ matgrp.g
_____ matgrp.grp
_____ matring.g
_____ matrix.g
_____ module.g
_____ monomial.g
_____ morpheus.g
_____ numfield.g
_____ numtheor.g
_____ onecohom.g
_____ operatio.g
_____ permag.g
_____ permbckt.g
_____ permcose.g
_____ permcser.g
_____ permctbl.g
_____ permgrp.g
_____ permhomo.g
_____ permnorm.g
_____ permoper.g
_____ permprod.g
_____ permstbc.g
_____ permutat.g
_____ polyfin.g
_____ polyfld.g
_____ polynom.g
_____ polyrat.g
_____ polystff.g
_____ pq.g
_____ ratclass.g
_____ rational.g
_____ ring.g
_____ rowmodul.g
_____ rowspace.g
_____ saggroup.g
_____ sagsbgrp.g
_____ sq.g
_____ sqstuff.g
_____ string.g
_____ tom.g
_____ vecspace.g

_____ ref
_____   input
_____     ref.in
_____   output
_____     ref.out
_____   reftime

_____ test
_____   input
_____     test.in
_____   output
_____     test.out
_____   reftime

_____ train
_____   input
_____     train.in

```

```
output
├── train.out
└── reftime

docs
├── 254.gap.html
├── 254.gap.txt
└── VERSION

exe
├── gap_base.O3
├── gap_base.x86_linux
└── gap_peak.x86_linux

result/
run
├── 00000001
│   ├── Makefile
│   ├── Makefile.spec
│   ├── agcollec.c
│   ├── agcollec.h
│   ├── agcollec.o
│   ├── aggroup.c
│   ├── aggroup.h
│   ├── aggroup.o
│   ├── blister.c
│   ├── blister.h
│   ├── blister.o
│   ├── coding.c
│   ├── coding.h
│   ├── coding.o
│   ├── costab.c
│   ├── costab.h
│   ├── costab.o
│   ├── cyclotom.c
│   ├── cyclotom.h
│   ├── cyclotom.o
│   ├── eval.c
│   ├── eval.h
│   ├── eval.o
│   ├── finfield.c
│   ├── finfield.h
│   ├── finfield.o
│   ├── function.c
│   ├── function.h
│   ├── function.o
│   ├── gap
│   ├── gap.c
│   ├── gap.o
│   ├── gasman.c
│   ├── gasman.h
│   ├── gasman.o
│   ├── idents.c
│   ├── idents.h
│   ├── idents.o
│   ├── integer.c
│   ├── integer.h
│   ├── integer.o
│   ├── list.c
│   ├── list.h
│   ├── list.o
│   ├── make.err
│   ├── make.out
│   ├── options.err
│   ├── options.out
│   ├── pcpresen.c
│   ├── pcpresen.h
│   ├── pcpresen.o
│   ├── permutat.c
│   ├── permutat.h
│   ├── permutat.o
│   ├── plist.c
│   ├── plist.h
│   ├── plist.o
│   ├── polynom.c
│   ├── polynom.h
│   ├── polynom.o
│   ├── range.c
│   ├── range.h
│   ├── range.o
│   ├── rational.c
│   ├── rational.h
│   └── rational.o
```

— read.c
— read.h
— read.o
— record.c
— record.h
— record.o
— scanner.c
— scanner.h
— scanner.o
— set.c
— set.h
— set.o
— statemen.c
— statemen.h
— statemen.o
— string.c
— string.h
— string.o
— system.c
— system.h
— system.o
— tietze.c
— tietze.h
— tietze.o
— unknown.c
— unknown.h
— unknown.o
— vecffe.c
— vecffe.h
— vecffe.o
— vector.c
— vector.h
— vector.o
— word.c
— word.h
— word.o
00000002
— abattoir.g
— agcent.g
— agclass.g
— agcomple.g
— agcoset.g
— agctbl.g
— aggroup.g
— aghall.g
— aghomomo.g
— aginters.g
— agnorm.g
— agprops.g
— agsubgrp.g
— agwords.g
— algebra.g
— algfac.g
— algfld.g
— algfp.g
— alghomom.g
— algmat.g
— basic.grp
— cdaggrp.g
— chartabl.g
— classfun.g
— combinat.g
— compare.cmd
— compare.err
— compare.out
— ctautoms.g
— ctbasic.g
— ctcharac.g
— ctfilter.g
— ctgapmoc.g
— ctgeneri.g
— ctlattic.g
— ctmapcon.g
— ctmapusi.g
— ctpermch.g
— ctprp.g
— ctsymmet.g
— cyclotom.g
— dispatch.g
— domain.g

_____ field.g
 _____ finfield.g
 _____ fpgrp.g
 _____ fpsgres.g
 _____ fptietze.g
 _____ galois.g
 _____ gap_base.x86_linux
 _____ gaussian.g
 _____ group.g
 _____ grpcoset.g
 _____ grpctbl.g
 _____ grpelms.g
 _____ grphomom.g
 _____ grplatt.g
 _____ grpprods.g
 _____ init.g
 _____ integer.g
 _____ lattperf.g
 _____ list.g
 _____ mapping.g
 _____ matgrp.g
 _____ matgrp.grp
 _____ matring.g
 _____ matrix.g
 _____ module.g
 _____ monomial.g
 _____ morpheus.g
 _____ numfield.g
 _____ numtheor.g
 _____ onecohom.g
 _____ operatio.g
 _____ permag.g
 _____ permbckt.g
 _____ permcose.g
 _____ permcser.g
 _____ permctbl.g
 _____ permgrp.g
 _____ permhomo.g
 _____ permnorm.g
 _____ permoper.g
 _____ permprod.g
 _____ permstbc.g
 _____ permutat.g
 _____ polyfin.g
 _____ polyfld.g
 _____ polynom.g
 _____ polyrat.g
 _____ polystff.g
 _____ pq.g
 _____ ratclass.g
 _____ rational.g
 _____ ref.err
 _____ ref.in
 _____ ref.out
 _____ ref.out.cmp
 _____ ring.g
 _____ rowmodul.g
 _____ rowspace.g
 _____ saggroup.g
 _____ sagsbgrp.g
 _____ speccmds.cmd
 _____ speccmds.err
 _____ speccmds.out
 _____ sq.g
 _____ sqstuff.g
 _____ string.g
 _____ tom.g
 _____ vecspace.g
 _____ 00000003
 _____ abattoir.g
 _____ agcent.g
 _____ agclass.g
 _____ agcomple.g
 _____ agcoset.g
 _____ agctbl.g
 _____ aggroup.g
 _____ aghall.g
 _____ aghomomo.g
 _____ aginters.g
 _____ agnorm.g

— agprops.g
— agsubgrp.g
— agwords.g
— algebra.g
— algfac.g
— algfld.g
— algfp.g
— alghomom.g
— algmat.g
— basic.grp
— cdaggrp.g
— chartabl.g
— classfun.g
— combinat.g
— compare.cmd
— compare.err
— compare.out
— ctautoms.g
— ctbasic.g
— ctcharac.g
— ctfilter.g
— ctgapmoc.g
— ctgeneri.g
—ctlattic.g
—ctmapcon.g
—ctmapusi.g
—ctpermch.g
—ctpgrp.g
—ctsymmet.g
—cyclotom.g
—dispatch.g
—domain.g
—field.g
—finfield.g
—fpgp.g
—fsgpres.g
—fptietze.g
—galois.g
—gap_peak.x86_linux
—gaussian.g
—group.g
—grpcoset.g
—grpctbl.g
—grpelms.g
—grphomom.g
—grplatt.g
—grpprods.g
—init.g
—integer.g
—lattperf.g
—list.g
—mapping.g
—matgrp.g
—matgrp.grp
—matring.g
—matrix.g
—module.g
—monomial.g
—morpheus.g
—numfield.g
—numtheor.g
—onecohom.g
—operatio.g
—permag.g
—permbckt.g
—permcose.g
—permcser.g
—permctbl.g
—permgrp.g
—permhomo.g
—permnorm.g
—permoper.g
—permprod.g
—permstbc.g
—permutat.g
—polyfin.g
—polyfld.g
—polynom.g
—polyrat.g
—polystff.g

— pq.g
— ratclass.g
— rational.g
— ref.err
— ref.in
— ref.out
— ref.out.cmp
— ring.g
— rowmodul.g
— rowspace.g
— saggroup.g
— sagsbgrp.g
— speccmds.cmd
— speccmds.err
— speccmds.out
— sq.g
— sqstuff.g
— string.g
— tom.g
— vecspace.g

00000004

— Makefile
— Makefile.spec
— agcollec.c
— agcollec.h
— agcollec.o
— aggroup.c
— aggroup.h
— aggroup.o
— blister.c
— blister.h
— blister.o
— coding.c
— coding.h
— coding.o
— costab.c
— costab.h
— costab.o
— cyclotom.c
— cyclotom.h
— cyclotom.o
— eval.c
— eval.h
— eval.o
— finfield.c
— finfield.h
— finfield.o
— function.c
— function.h
— function.o
— gap
— gap.c
— gap.o
— gasman.c
— gasman.h
— gasman.o
— idents.c
— idents.h
— idents.o
— integer.c
— integer.h
— integer.o
— list.c
— list.h
— list.o
— make.err
— make.out
— options.err
— options.out
— pcpresen.c
— pcpresen.h
— pcpresen.o
— permutat.c
— permutat.h
— permutat.o
— plist.c
— plist.h
— plist.o
— polynom.c
— polynom.h

—— polynom.o
—— range.c
—— range.h
—— range.o
—— rational.c
—— rational.h
—— rational.o
—— read.c
—— read.h
—— read.o
—— record.c
—— record.h
—— record.o
—— scanner.c
—— scanner.h
—— scanner.o
—— set.c
—— set.h
—— set.o
—— statemen.c
—— statemen.h
—— statemen.o
—— string.c
—— string.h
—— string.o
—— system.c
—— system.h
—— system.o
—— tietze.c
—— tietze.h
—— tietze.o
—— unknown.c
—— unknown.h
—— unknown.o
—— vecffe.c
—— vecffe.h
—— vecffe.o
—— vector.c
—— vector.h
—— vector.o
—— word.c
—— word.h
—— word.o

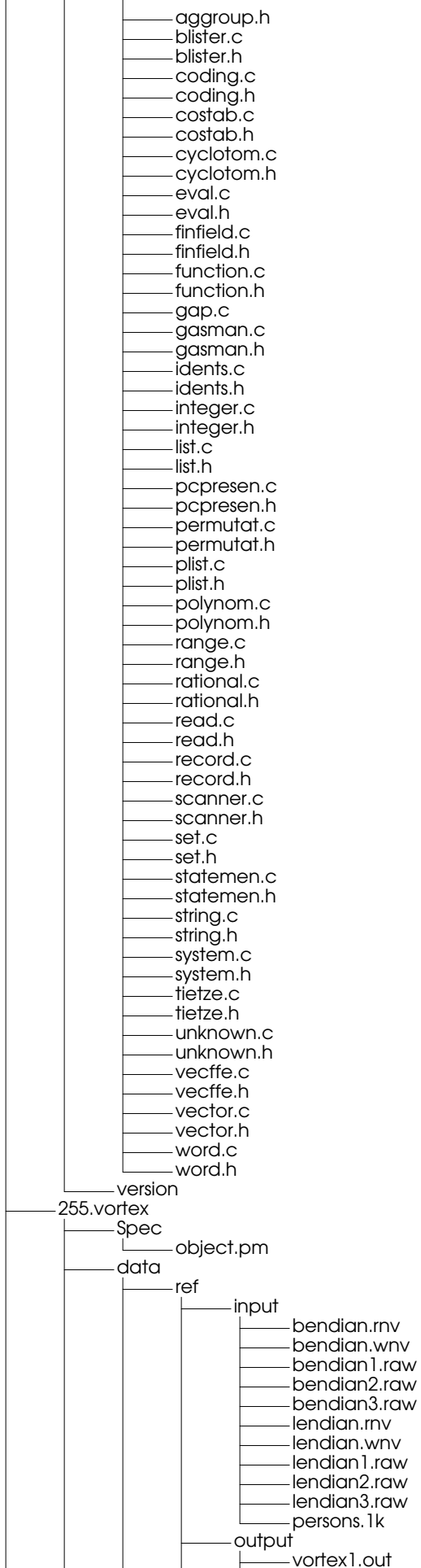
—— 00000005

—— abattoir.g
—— agcent.g
—— agclass.g
—— agcomple.g
—— agcoset.g
—— agctbl.g
—— aggroup.g
—— aghall.g
—— aghomomo.g
—— aginters.g
—— agnorm.g
—— agprops.g
—— agsubgrp.g
—— agwords.g
—— algebra.g
—— algfac.g
—— algfld.g
—— algfp.g
—— alghomom.g
—— algmat.g
—— basic.grp
—— cdaggrp.g
—— chartabl.g
—— classfun.g
—— combinat.g
—— ctautoms.g
—— ctbasic.g
—— ctcharac.g
—— ctfilter.g
—— ctgapmoc.g
—— ctgeneri.g
—— ctlattic.g
—— ctmapcon.g
—— ctmapusi.g
—— ctpermch.g
—— ctpgrp.g

```

—— ctsymmet.g
—— cyclotom.g
—— dispatch.g
—— domain.g
—— field.g
—— finfield.g
—— fpgroup.g
—— fpgpres.g
—— fptietze.g
—— galois.g
—— gap_base.O3
—— gaussian.g
—— group.g
—— grpcoset.g
—— grpctbl.g
—— grpelms.g
—— grphomom.g
—— grplatt.g
—— grpprods.g
—— init.g
—— integer.g
—— lattperf.g
—— list.g
—— mapping.g
—— matgrp.g
—— matgrp.grp
—— matring.g
—— matrix.g
—— module.g
—— monomial.g
—— morpheus.g
—— numfield.g
—— numtheor.g
—— onecohom.g
—— operatio.g
—— permag.g
—— permbckt.g
—— permcose.g
—— permcser.g
—— permctbl.g
—— permgrp.g
—— permhomo.g
—— permnorm.g
—— permoper.g
—— permprod.g
—— permstbc.g
—— permutat.g
—— polyfin.g
—— polyfld.g
—— polynom.g
—— polyrat.g
—— polystff.g
—— pq.g
—— ratclass.g
—— rational.g
—— ref.err
—— ref.in
—— ref.out
—— ring.g
—— rowmodul.g
—— rowspace.g
—— saggroup.g
—— sagsbgrp.g
—— speccmds.cmd
—— speccmds.err
—— speccmds.out
—— sq.g
—— sqstuff.g
—— string.g
—— tom.g
—— vecspace.g
—— list
—— sil
—— Makefile
—— Makefile.spec
src
—— Makefile
—— agcollec.c
—— agcollec.h
—— aggroup.c

```

— drawlib.h
— drawlib.o
— drawobj.c
— drawobj.h
— drawobj.o
— emplib.c
— emplib.h
— emplib.o
— empobj.c
— empobj.h
— empobj.o
— env0.c
— env0.h
— env0.o
— env01.c
— env01.h
— env01.o
— env1.c
— env1.h
— env1.o
— envdefs.h
— files.h
— fm.c
— fm.h
— fm.o
— gdbm.c
— gdbm.h
— gdbm.o
— grp.h
— grp0.c
— grp0.o
— grp1.c
— grp1.o
— grp2.c
— grp2.o
— hm.c
— hm.h
— hm.o
— iam.c
— iam.h
— iam.o
— ifm.c
— ifm.o
— im.c
— im.h
— im.o
— km.c
— km.h
— km.o
— list
— list01.c
— list01.h
— list01.o
— make.err
— make.out
— mem00.c
— mem00.h
— mem00.o
— mem01.c
— mem01.h
— mem01.o
— mem010.h
— mem10.c
— mem10.h
— mem10.o
— oa0.c
— oa0.h
— oa0.o
— oa1.c
— oa1.h
— oa1.o
— oadmp.c
— oadmp.o
— obj01.c
— obj01.h
— obj01.o
— odbm.c
— odbm.h
— odbm.o
— ogrp.c

ogrp.h
ogrp.o
om.c
om.h
om.o
omidefs.h
options.err
options.out
point.c
point.h
point.o
primal.c
primal.h
primal.o
pstub.c
pstub.o
query.c
query.h
query.o
rect.c
rect.h
rect.o
rects.c
rects.h
rects.o
sa.c
sa.h
sa.o
shell.c
shell.h
shell.o
sm.c
sm.h
sm.o
spl.h
testobj.c
testobj.o
tm.c
tm.h
tm.o
trans.h
trans00.c
trans00.o
trans01.c
trans01.o
trans10.c
trans10.o
trans20.c
trans20.o
tree0.c
tree0.o
tree00.c
tree00.h
tree00.o
tree01.c
tree01.h
tree01.o
typedefs.h
ut.c
ut.h
ut.o
vchunk.c
vchunk.h
vchunk.o
vdbm.c
vdbm.h
vdbm.o
voa.c
voa.h
voa.o
vom.c
vom.h
vom.o
vortex
00000002
bendian.rnv
bendian.wnv
bendian1.raw
bendian2.raw
bendian3.raw

_____ compare.cmd
 _____ compare.err
 _____ compare.out
 _____ lendian.rnv
 _____ lendian.wnv
 _____ lendian1.raw
 _____ lendian2.raw
 _____ lendian3.raw
 _____ persons.1k
 _____ speccmds.cmd
 _____ speccmds.err
 _____ speccmds.out
 _____ vortex.msg
 _____ vortex1.err
 _____ vortex1.out
 _____ vortex1.out.cmp
 _____ vortex1.out2
 _____ vortex2.err
 _____ vortex2.out
 _____ vortex2.out.cmp
 _____ vortex2.out2
 _____ vortex3.err
 _____ vortex3.out
 _____ vortex3.out.cmp
 _____ vortex3.out2
 _____ vortex_base.x86_linux

00000003

_____ bendian.rnv
 _____ bendian.wnv
 _____ bendian1.raw
 _____ bendian2.raw
 _____ bendian3.raw
 _____ compare.cmd
 _____ compare.err
 _____ compare.out
 _____ lendian.rnv
 _____ lendian.wnv
 _____ lendian1.raw
 _____ lendian2.raw
 _____ lendian3.raw
 _____ persons.1k
 _____ speccmds.cmd
 _____ speccmds.err
 _____ speccmds.out
 _____ vortex.msg
 _____ vortex1.err
 _____ vortex1.out
 _____ vortex1.out.cmp
 _____ vortex1.out2
 _____ vortex2.err
 _____ vortex2.out
 _____ vortex2.out.cmp
 _____ vortex2.out2
 _____ vortex3.err
 _____ vortex3.out
 _____ vortex3.out.cmp
 _____ vortex3.out2
 _____ vortex_peak.x86_linux

00000004

_____ Makefile
 _____ Makefile.spec
 _____ api.h
 _____ bitvec.c
 _____ bitvec.h
 _____ bitvec.o
 _____ blk.h
 _____ bmt.c
 _____ bmt.o
 _____ bmt0.c
 _____ bmt0.o
 _____ bmt01.c
 _____ bmt01.h
 _____ bmt01.o
 _____ bmt10.c
 _____ bmt10.o
 _____ bmtlib.c
 _____ bmtlib.o
 _____ bmtobj.c
 _____ bmtobj.o
 _____ core01.c

____ core01.h
____ core01.o
____ dba.c
____ dba.h
____ dba.o
____ dbm.h
____ dbm0.c
____ dbm0.o
____ dbm1.c
____ dbm1.o
____ dbm2.c
____ dbm2.o
____ defines.h
____ domain.c
____ domain.h
____ domain.o
____ draw07.c
____ draw07.h
____ draw07.o
____ draw7.c
____ draw7.o
____ drawlib.c
____ drawlib.h
____ drawlib.o
____ drawobj.c
____ drawobj.h
____ drawobj.o
____ emplib.c
____ emplib.h
____ emplib.o
____ empobj.c
____ empobj.h
____ empobj.o
____ env0.c
____ env0.h
____ env0.o
____ env01.c
____ env01.h
____ env01.o
____ env1.c
____ env1.h
____ env1.o
____ envdefs.h
____ files.h
____ fm.c
____ fm.h
____ fm.o
____ gdbm.c
____ gdbm.h
____ gdbm.o
____ grp.h
____ grp0.c
____ grp0.o
____ grp1.c
____ grp1.o
____ grp2.c
____ grp2.o
____ hm.c
____ hm.h
____ hm.o
____ iam.c
____ iam.h
____ iam.o
____ ifm.c
____ ifm.o
____ im.c
____ im.h
____ im.o
____ km.c
____ km.h
____ km.o
____ list
____ list01.c
____ list01.h
____ list01.o
____ make.err
____ make.out
____ mem00.c
____ mem00.h
____ mem00.o

— mem01.c
— mem01.h
— mem01.o
— mem010.h
— mem10.c
— mem10.h
— mem10.o
— oa0.c
— oa0.h
— oa0.o
— oa1.c
— oa1.h
— oa1.o
— oadmp.c
— oadmp.o
— obj01.c
— obj01.h
— obj01.o
— odbm.c
— odbm.h
— odbm.o
— ogrp.c
— ogrp.h
— ogrp.o
— om.c
— om.h
— om.o
— omidefs.h
— options.err
— options.out
— point.c
— point.h
— point.o
— primal.c
— primal.h
— primal.o
— pstub.c
— pstub.o
— query.c
— query.h
— query.o
— rect.c
— rect.h
— rect.o
— rects.c
— rects.h
— rects.o
— sa.c
— sa.h
— sa.o
— shell.c
— shell.h
— shell.o
— sm.c
— sm.h
— sm.o
— spcl.h
— testobj.c
— testobj.o
— tm.c
— tm.h
— tm.o
— trans.h
— trans00.c
— trans00.o
— trans01.c
— trans01.o
— trans10.c
— trans10.o
— trans20.c
— trans20.o
— tree0.c
— tree0.o
— tree00.c
— tree00.h
— tree00.o
— tree01.c
— tree01.h
— tree01.o
— typedefs.h

- ut.c
- ut.h
- ut.o
- vchunk.c
- vchunk.h
- vchunk.o
- vdbm.c
- vdbm.h
- vdbm.o
- voa.c
- voa.h
- voa.o
- vom.c
- vom.h
- vom.o
- vortex

00000005

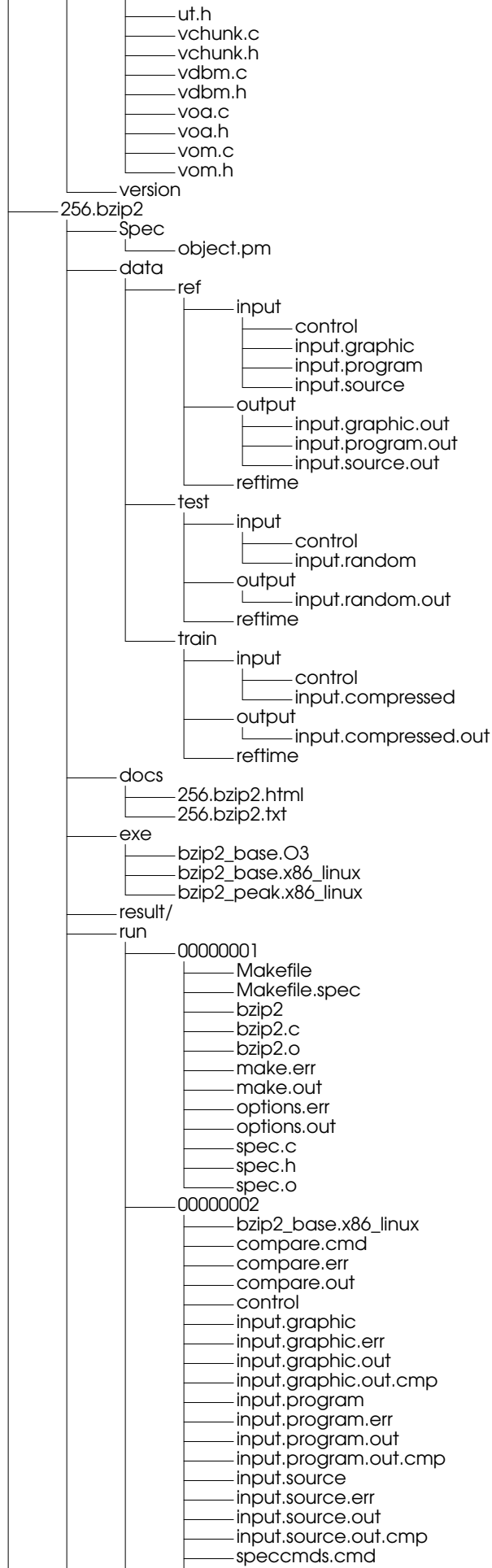
- bendian.rnv
- bendian.wnv
- bendian1.raw
- bendian2.raw
- bendian3.raw
- lendian.rnv
- lendian.wnv
- lendian1.raw
- lendian2.raw
- lendian3.raw
- persons.1k
- speccmds.cmd
- speccmds.err
- speccmds.out
- vortex.msg
- vortex1.err
- vortex1.out
- vortex1.out2
- vortex2.err
- vortex2.out
- vortex2.out2
- vortex3.err
- vortex3.out
- vortex3.out2
- vortex_base.O3

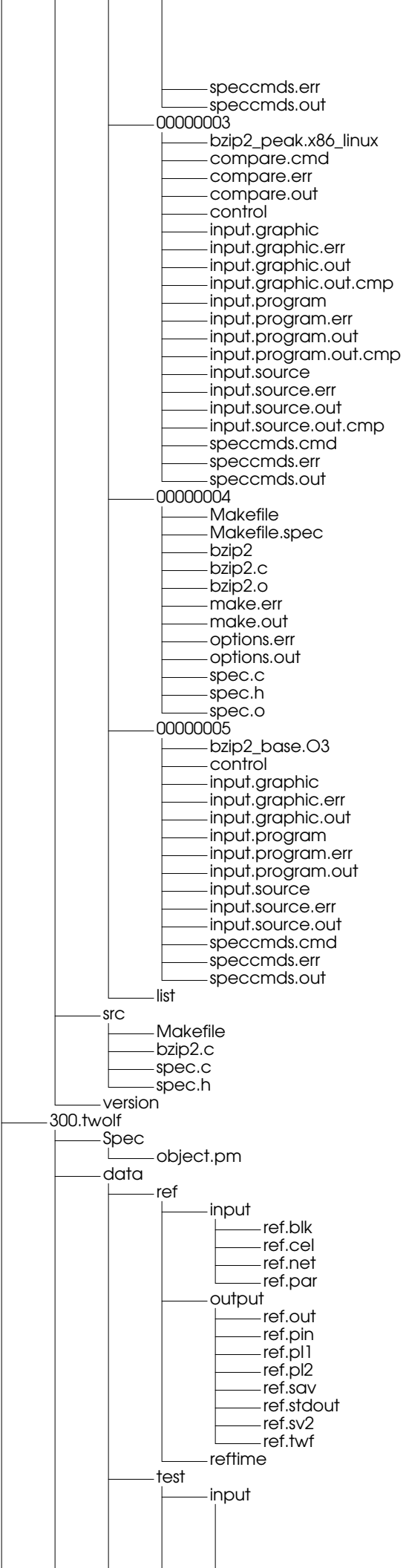
list

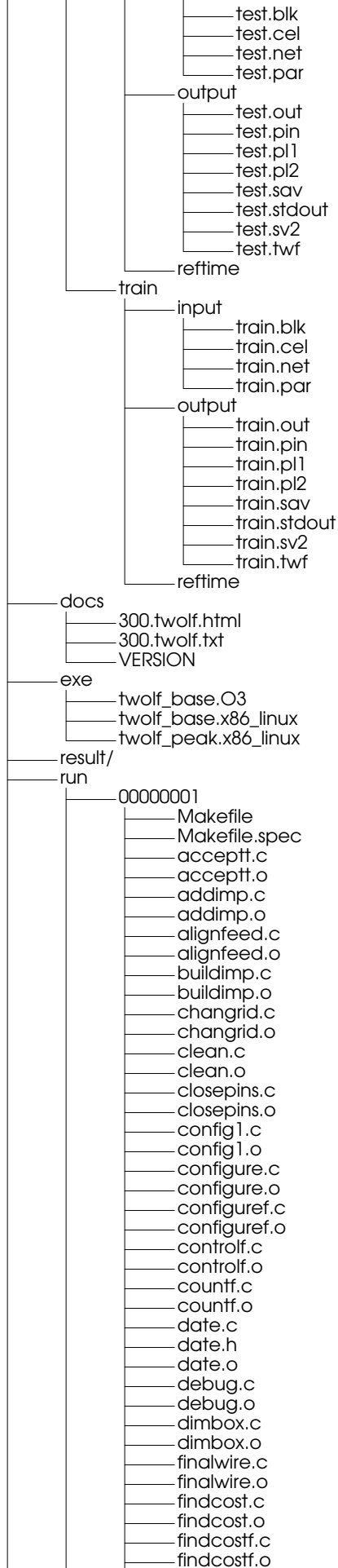
src

- Makefile
- api.h
- bitvec.c
- bitvec.h
- blk.h
- bmt.c
- bmt0.c
- bmt01.c
- bmt01.h
- bmt10.c
- bmtlib.c
- bmtobj.c
- core01.c
- core01.h
- dba.c
- dba.h
- dbm.h
- dbm0.c
- dbm1.c
- dbm2.c
- defines.h
- domain.c
- domain.h
- draw07.c
- draw07.h
- draw7.c
- drawlib.c
- drawlib.h
- drawobj.c
- drawobj.h
- emplib.c
- emplib.h
- empobj.c
- empobj.h
- env0.c
- env0.h

—env01.c
—env01.h
—env1.c
—env1.h
—envdefs.h
—files.h
—fm.c
—fm.h
—gdbm.c
—gdbm.h
—grp.h
—grp0.c
—grp1.c
—grp2.c
—hm.c
—hm.h
—iam.c
—iam.h
—ifm.c
—im.c
—im.h
—km.c
—km.h
—list
—list01.c
—list01.h
—mem00.c
—mem00.h
—mem01.c
—mem01.h
—mem010.h
—mem10.c
—mem10.h
—oa0.c
—oa0.h
—oa1.c
—oa1.h
—oadmp.c
—obj01.c
—obj01.h
—odbm.c
—odbm.h
—ogrp.c
—ogrp.h
—om.c
—om.h
—omidefs.h
—point.c
—point.h
—primal.c
—primal.h
—pstub.c
—query.c
—query.h
—rect.c
—rect.h
—rects.c
—rects.h
—sa.c
—sa.h
—shell.c
—shell.h
—sm.c
—sm.h
—spl.h
—testobj.c
—tm.c
—tm.h
—trans.h
—trans00.c
—trans01.c
—trans10.c
—trans20.c
—tree0.c
—tree00.c
—tree00.h
—tree01.c
—tree01.h
—typedefs.h
—ut.c







— findest.c
— findest.o
— findfeeds.c
— findfeeds.o
— findrchk.c
— findrchk.o
— findrcost.c
— findrcost.o
— findunlap.c
— findunlap.o
— globe.c
— globe.o
— globedbg.c
— globedbg.o
— globroute.c
— globroute.o
— gparser.c
— gparser.o
— grdcell.c
— grdcell.o
— groute.h
— hash.c
— hash.o
— implfeeds.c
— implfeeds.o
— kenk.h
— lists.h
— main.c
— main.h
— main.o
— make.err
— make.out
— mergplist.c
— mergplist.o
— move.c
— move.o
— mt.c
— mt.h
— mt.o
— okmalloc.c
— okmalloc.o
— options.err
— options.out
— outcm.c
— outcm.o
— outpins.c
— outpins.o
— output.c
— output.o
— parser.c
— parser.o
— purcost.c
— purcost.o
— qsorte.c
— qsorte.o
— qsortg.c
— qsortg.o
— qsortgdx.c
— qsortgdx.o
— qsortx.c
— qsortx.o
— rand.c
— rand.o
— readblk.c
— readblk.o
— readcell.c
— readcell.o
— readnets.c
— readnets.o
— readpar.c
— readpar.o
— readseg.c
— readseg.o
— route.h
— savewolf.c
— savewolf.o
— sortpin.c
— sortpin.o
— standard.h
— stats.c

```
—— stats.o
—— twolf
—— uc0.c
—— uc0.o
—— ucg0.c
—— ucg0.o
—— ucgxp.c
—— ucgxp.o
—— uclosepns.c
—— uclosepns.o
—— ucxx1.c
—— ucxx1.o
—— ucxx2.c
—— ucxx2.o
—— ucxxg1b.h
—— ucxxo1.c
—— ucxxo1.o
—— ucxxo2.c
—— ucxxo2.o
—— ucxxp.c
—— ucxxp.o
—— uglobe.c
—— uglobe.o
—— uglobrout.c
—— uglobrout.o
—— ugpair.c
—— ugpair.o
—— uloop.c
—— uloop.o
—— uloop2.c
—— uloop2.o
—— unetseg.c
—— unetseg.o
—— unlap.c
—— unlap.o
—— upair.c
—— upair.o
—— urcost.c
—— urcost.o
—— utemp.c
—— utemp.o
—— utils.c
—— utils.h
—— utils.o
—— xcompact.c
—— xcompact.o
—— xpickint.c
—— xpickint.o
00000002
—— compare.cmd
—— compare.err
—— compare.out
—— ref.blk
—— ref.cel
—— ref.err
—— ref.net
—— ref.out
—— ref.out.cmp
—— ref.par
—— ref.pin
—— ref.pin.cmp
—— ref.pl1
—— ref.pl1.cmp
—— ref.pl2
—— ref.pl2.cmp
—— ref.sav
—— ref.sav.cmp
—— ref.stdout
—— ref.stdout.cmp
—— ref.sv2
—— ref.sv2.cmp
—— ref.twf
—— ref.twf.cmp
—— speccmds.cmd
—— speccmds.err
—— speccmds.out
—— twolf_base.x86_linux
00000003
—— compare.cmd
—— compare.err
```

____ compare.out
____ ref.blk
____ ref.cel
____ ref.err
____ ref.net
____ ref.out
____ ref.out.cmp
____ ref.par
____ ref.pin
____ ref.pin.cmp
____ ref.pl1
____ ref.pl1.cmp
____ ref.pl2
____ ref.pl2.cmp
____ ref.sav
____ ref.sav.cmp
____ ref.stdout
____ ref.stdout.cmp
____ ref.sv2
____ ref.sv2.cmp
____ ref.twf
____ ref.twf.cmp
____ speccmds.cmd
____ speccmds.err
____ speccmds.out
____ twolf_peak.x86_linux

00000004

____ Makefile
____ Makefile.spec
____ acceptt.c
____ acceptt.o
____ addimp.c
____ addimp.o
____ alignfeed.c
____ alignfeed.o
____ buildimp.c
____ buildimp.o
____ changrid.c
____ changrid.o
____ clean.c
____ clean.o
____ closepins.c
____ closepins.o
____ config1.c
____ config1.o
____ configure.c
____ configure.o
____ configref.c
____ configref.o
____ controlf.c
____ controlf.o
____ countf.c
____ countf.o
____ date.c
____ date.h
____ date.o
____ debug.c
____ debug.o
____ dimbox.c
____ dimbox.o
____ finalwire.c
____ finalwire.o
____ findcost.c
____ findcost.o
____ findcostf.c
____ findcostf.o
____ findest.c
____ findest.o
____ findfeeds.c
____ findfeeds.o
____ findrchk.c
____ findrchk.o
____ findrcost.c
____ findrcost.o
____ findunlap.c
____ findunlap.o
____ globe.c
____ globe.o
____ globedbg.c
____ globedbg.o

— globroute.c
— globroute.o
— gparser.c
— gparser.o
— grdcell.c
— grdcell.o
— groute.h
— hash.c
— hash.o
— implfeeds.c
— implfeeds.o
— kenk.h
— lists.h
— main.c
— main.h
— main.o
— make.err
— make.out
— mergplist.c
— mergplist.o
— move.c
— move.o
— mt.c
— mt.h
— mt.o
— okmalloc.c
— okmalloc.o
— options.err
— options.out
— outcm.c
— outcm.o
— outpins.c
— outpins.o
— output.c
— output.o
— parser.c
— parser.o
— purcost.c
— purcost.o
— qsorte.c
— qsorte.o
— qsortg.c
— qsortg.o
— qsortgdx.c
— qsortgdx.o
— qsortx.c
— qsortx.o
— rand.c
— rand.o
— readblk.c
— readblk.o
— readcell.c
— readcell.o
— readnets.c
— readnets.o
— readpar.c
— readpar.o
— readseg.c
— readseg.o
— route.h
— savewolf.c
— savewolf.o
— sortpin.c
— sortpin.o
— standard.h
— stats.c
— stats.o
— twolf
— uc0.c
— uc0.o
— ucg0.c
— ucg0.o
— ucgxp.c
— ucgxp.o
— uclosepns.c
— uclosepns.o
— ucxx1.c
— ucxx1.o
— ucxx2.c
— ucxx2.o

- ucxxglib.h
- ucxxo1.c
- ucxxo1.o
- ucxxo2.c
- ucxxo2.o
- ucxxp.c
- ucxxp.o
- uglobe.c
- uglobe.o
- uglobrout.c
- uglobrout.o
- ugpair.c
- ugpair.o
- uloop.c
- uloop.o
- uloop2.c
- uloop2.o
- unetseg.c
- unetseg.o
- unlap.c
- unlap.o
- upair.c
- upair.o
- urcost.c
- urcost.o
- utemp.c
- utemp.o
- utils.c
- utils.h
- utils.o
- xcompact.c
- xcompact.o
- xpickint.c
- xpickint.o

00000005

- ref.blk
- ref.cel
- ref.err
- ref.net
- ref.out
- ref.par
- ref.pin
- ref.pl1
- ref.pl2
- ref.sav
- ref.stdout
- ref.sv2
- ref.twf
- speccmds.cmd
- speccmds.err
- speccmds.out
- twolf_base.O3

list

src

- Makefile
- acceptt.c
- addimp.c
- alignfeed.c
- buildimp.c
- changrid.c
- clean.c
- closepins.c
- config1.c
- configure.c
- configuref.c
- controlf.c
- countf.c
- date.c
- date.h
- debug.c
- dimbox.c
- finalwire.c
- findcost.c
- findcostf.c
- findest.c
- findfeeds.c
- findrchk.c
- findrcost.c
- findunlap.c
- globe.c

```

_____globedbg.c
_____globroute.c
_____gparser.c
_____grdcell.c
_____groute.h
_____hash.c
_____implfeeds.c
_____kenk.h
_____lists.h
_____main.c
_____main.h
_____mergplist.c
_____move.c
_____mt.c
_____mt.h
_____okmalloc.c
_____outcm.c
_____outpins.c
_____output.c
_____parser.c
_____purcost.c
_____qsorte.c
_____qsortg.c
_____qsortgdx.c
_____qsortx.c
_____rand.c
_____readblk.c
_____readcell.c
_____readnets.c
_____readpar.c
_____readseg.c
_____route.h
_____savewolf.c
_____sortpin.c
_____standard.h
_____stats.c
_____uc0.c
_____ucg0.c
_____ucgxp.c
_____uclosepns.c
_____ucxx1.c
_____ucxx2.c
_____ucxxglb.h
_____ucxxo1.c
_____ucxxo2.c
_____ucxxp.c
_____uglobe.c
_____uglobrout.c
_____ugpair.c
_____uloop.c
_____uloop2.c
_____unetseg.c
_____unlap.c
_____upair.c
_____urcost.c
_____utemp.c
_____utils.c
_____utils.h
_____xcompact.c
_____xpickint.c
_____version
_____CINT2000.bset
_____Makefile.defaults
_____version
bin
_____perldb
_____PSPDF.pm
_____benchmark.pm
_____benchset.pm
_____compare.pl
_____config.pl
_____extract_config
_____extract_raw
_____fonts
_____Courier-Bold.afm
_____Courier-BoldOblique.afm
_____Courier-Oblique.afm
_____Courier.afm
_____Helvetica-Bold.afm
_____Helvetica-BoldOblique.afm

```

- Helvetica-Oblique.afm
- Helvetica.afm
- Symbol.afm
- Times-Bold.afm
- Times-Bolditalic.afm
- Times-Italic.afm
- Times-Roman.afm
- ZapfDingbats.afm
- format.pm
- formats
 - asc.pl
 - config.pl
 - html.pl
 - pdf.pl
 - ps.pl
 - raw.pl
- lib
 - 5.00503
 - AnyDBM_File.pm
 - AutoLoader.pm
 - AutoSplit.pm
 - B
 - assemble
 - cc_harness
 - disassemble
 - makeliblinks
 - Benchmark.pm
 - CGI
 - Apache.pm
 - Carp.pm
 - Cookie.pm
 - Fast.pm
 - Push.pm
 - Switch.pm
 - CGI.pm
 - CPAN
 - FirstTime.pm
 - Nox.pm
 - CPAN.pm
 - Carp.pm
 - Class
 - Struct.pm
 - Cwd.pm
 - Data
 - Dumper.pm
 - Devel
 - SelfStubber.pm
 - DirHandle.pm
 - Dumpvalue.pm
 - English.pm
 - Env.pm
 - Exporter.pm
 - ExtUtils
 - Command.pm
 - Embed.pm
 - Install.pm
 - Installed.pm
 - Liblist.pm
 - MM_OS2.pm
 - MM_Unix.pm
 - MM_VMS.pm
 - MM_Win32.pm
 - MakeMaker.pm
 - Manifest.pm
 - Miniperl.pm
 - Mkbootstrap.pm
 - Mksymlists.pm
 - Packlist.pm
 - inst
 - testlib.pm
 - typemap
 - xsubpp
 - Fatal.pm
 - File
 - Basename.pm
 - CheckTree.pm
 - Compare.pm
 - Copy.pm
 - DosGlob.pm
 - Find.pm

- Path.pm
- Spec
 - Mac.pm
 - OS2.pm
 - Unix.pm
 - VMS.pm
 - Win32.pm
- Spec.pm
- stat.pm
- FileCache.pm
- FileHandle.pm
- FindBin.pm
- Getopt
 - Long.pm
 - Std.pm
- I18N
 - Collate.pm
- IPC
 - Msg.pm
 - Open2.pm
 - Open3.pm
 - Semaphore.pm
 - SysV.pm
- Math
 - BigFloat.pm
 - BigInt.pm
 - Complex.pm
 - Trig.pm
- Net
 - Ping.pm
 - hostent.pm
 - netent.pm
 - protoent.pm
 - servent.pm
- Pod
 - Functions.pm
 - Html.pm
 - Text.pm
- Search
 - Dict.pm
- SelectSaver.pm
- SelfLoader.pm
- Shell.pm
- Symbol.pm
- Sys
 - Hostname.pm
 - Syslog.pm
- Term
 - Cap.pm
 - Complete.pm
 - ReadLine.pm
- Test
 - Harness.pm
- Test.pm
- Text
 - Abbrev.pm
 - ParseWords.pm
 - Soundex.pm
 - Tabs.pm
 - Wrap.pm
- Tie
 - Array.pm
 - Handle.pm
 - Hash.pm
 - RefHash.pm
 - Scalar.pm
 - SubstrHash.pm
- Time
 - Local.pm
 - gmtime.pm
 - localtime.pm
 - tm.pm
- UNIVERSAL.pm
- User
 - grent.pm
 - pwent.pm
- abbrev.pl
- assert.pl
- auto
 - Getopt

- Long
 - Configure.al
 - Croak.al
 - FindOption.al
 - GetOptions.al
 - autosplit.ix
 - config.al
- autouse.pm
- base.pm
- bigfloat.pl
- bigint.pl
- bigint.pl
- bilib.pm
- cacheout.pl
- chat2.pl
- complete.pl
- constant.pm
- ctime.pl
- diagnostics.pm
- dotsh.pl
- dumpvar.pl
- exceptions.pl
- fastcwd.pl
- fields.pm
- find.pl
- finddepth.pl
- flush.pl
- ftp.pl
- getcwd.pl
- getopt.pl
- getopts.pl
- hostname.pl
- i686-linux
 - .packlist
 - B
 - Asmdata.pm
 - Assembler.pm
 - Bblock.pm
 - Bytecode.pm
 - C.pm
 - CC.pm
 - Debug.pm
 - Deparse.pm
 - Disassembler.pm
 - Lint.pm
 - Showlex.pm
 - Stackobj.pm
 - Terse.pm
 - Xref.pm
 - B.pm
 - CORE
 - EXTERN.h
 - INTERN.h
 - XSUB.h
 - XSlock.h
 - av.h
 - bytecode.h
 - byterun.h
 - cc_runtime.h
 - config.h
 - cop.h
 - cv.h
 - dosish.h
 - embed.h
 - embedvar.h
 - fakethr.h
 - form.h
 - gv.h
 - handy.h
 - hv.h
 - intrpvar.h
 - iperlsys.h
 - keywords.h
 - libperl.a
 - mg.h
 - nostdio.h
 - objXSUB.h
 - objpp.h
 - op.h
 - opcode.h

```

_____ patchlevel.h
_____ perl.h
_____ perlio.h
_____ perlsdio.h
_____ perlsfio.h
_____ perlvars.h
_____ perly.h
_____ pp.h
_____ pp_proto.h
_____ proto.h
_____ regcomp.h
_____ regexp.h
_____ regnodes.h
_____ scope.h
_____ sv.h
_____ thrdvar.h
_____ thread.h
_____ unixish.h
_____ util.h
_____ Config.pm
_____ DB_File.pm
_____ DynaLoader.pm
_____ Errno.pm
_____ Fcntl.pm
_____ GDBM_File.pm
_____ IO
|_____ Dir.pm
|_____ File.pm
|_____ Handle.pm
|_____ Pipe.pm
|_____ Poll.pm
|_____ Seekable.pm
|_____ Select.pm
|_____ Socket
|_____   INET.pm
|_____   UNIX.pm
|_____ Socket.pm
_____ IO.pm
_____ O.pm
_____ Opcode.pm
_____ POSIX.pm
_____ POSIX.pod
_____ SDBM_File.pm
_____ Safe.pm
_____ Socket.pm
_____ attr.pm
_____ auto
|_____ B
|_____   B.bs
|_____   B.so
|_____ DB_File
|_____   DB_File.bs
|_____   DB_File.so
|_____   autosplit.ix
|_____ Data
|_____   Dumper
|_____     Dumper.bs
|_____     Dumper.so
|_____ DynaLoader
|_____   DynaLoader.a
|_____   autosplit.ix
|_____   dl_expandspec.al
|_____   dl_find_symbol_anywhere.al
|_____   dl_findfile.al
|_____   extralibs.ld
|_____ Fcntl
|_____   Fcntl.bs
|_____   Fcntl.so
|_____ GDBM_File
|_____   GDBM_File.bs
|_____   GDBM_File.so
|_____   autosplit.ix
|_____ IO
|_____   .packlist
|_____   IO.bs
|_____   IO.so
|_____ IPC
|_____   SysV
|_____     SysV.bs
|_____     SysV.so

```

— Opcode

— Opcode.bs
— Opcode.so

— POSIX

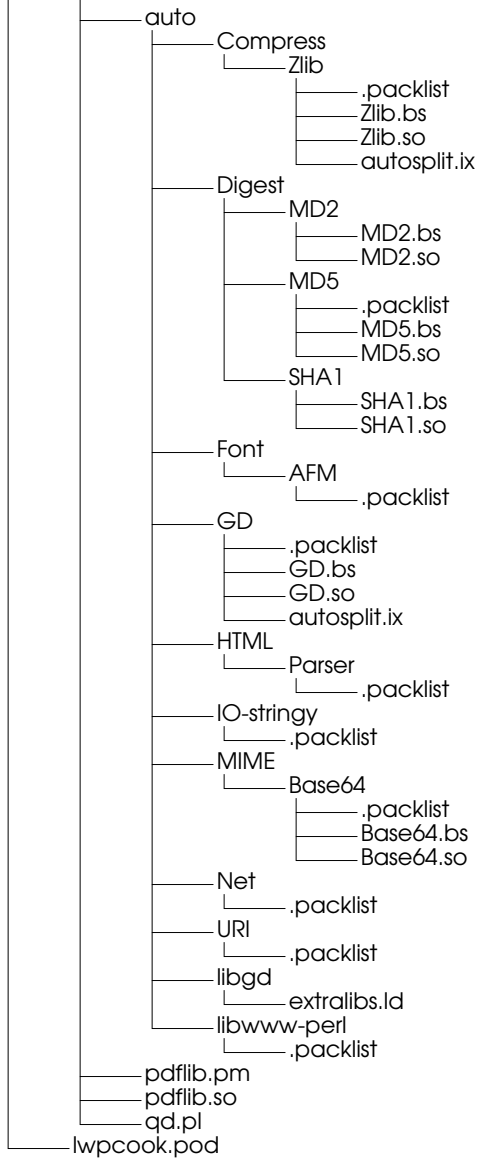
— POSIX.bs
— POSIX.so
— abs.al
— alarm.al
— assert.al
— atan2.al
— atexit.al
— atof.al
— atoi.al
— atol.al
— autosplit.ix
— bsearch.al
— calloc.al
— chdir.al
— chmod.al
— chown.al
— clearerr.al
— closedir.al
— cos.al
— creat.al
— div.al
— errno.al
— execl.al
— execl.e.al
— execlp.al
— execv.al
— execve.al
— execvp.al
— exit.al
— exp.al
— fabs.al
— fclose.al
— fcntl.al
— fdopen.al
— feof.al
— ferror.al
— fflush.al
— fgetc.al
— fgetpos.al
— fgets.al
— fileno.al
— fopen.al
— fork.al
— fprintf.al
— fputc.al
— fputs.al
— fread.al
— free.al
— freopen.al
— fscanf.al
— fseek.al
— fsetpos.al
— fstat.al
— ftell.al
— fwrite.al
— getc.al
— getchar.al
— getcwd.al
— getegid.al
— getenv.al
— geteuid.al
— getgid.al
— getgrgid.al
— getgrnam.al
— getgroups.al
— getlogin.al
— getpgrp.al
— getpid.al
— getppid.al
— getpwnam.al
— getpwuid.al
— gets.al
— getuid.al
— gmtime.al
— isatty.al
— kill.al

- labs.al
- ldiv.al
- link.al
- localtime.al
- log.al
- longjmp.al
- malloc.al
- memchr.al
- memcmp.al
- memcpy.al
- memmove.al
- memset.al
- mkdir.al
- offsetof.al
- opendir.al
- perror.al
- pow.al
- printf.al
- putchar.al
- putchar.al
- puts.al
- qsort.al
- raise.al
- rand.al
- readdir.al
- realloc.al
- remove.al
- rename.al
- rewind.al
- rewinddir.al
- rmdir.al
- scanf.al
- setbuf.al
- setgid.al
- setjmp.al
- setuid.al
- setvbuf.al
- siglongjmp.al
- sigsetjmp.al
- sin.al
- sleep.al
- sprintf.al
- sqrt.al
- srand.al
- sscanf.al
- stat.al
- strcat.al
- strchr.al
- strcmp.al
- strcpy.al
- strcspn.al
- strerror.al
- strlen.al
- strncat.al
- strncmp.al
- strncpy.al
- strpbrk.al
- strrchr.al
- strspn.al
- strstr.al
- strtok.al
- system.al
- time.al
- tmpfile.al
- tolower.al
- toupper.al
- umask.al
- ungetc.al
- unlink.al
- utime.al
- vfprintf.al
- vprintf.al
- vsprintf.al
- wait.al
- waitpid.al
- SDBM_File
- SDBM_File.bs
- SDBM_File.so
- Socket
- Socket.bs

- Socket.so
 - attrs
 - attrs.bs
 - attrs.so
 - re
 - re.bs
 - re.so
 - sdbm
 - extralibs.ld
- ops.pm
- perllocal.pod
- re.pm
- importenv.pl
- integer.pm
- less.pm
- lib.pm
- locale.pm
- look.pl
- man
 - man3
 - Bundle::LWP.3
 - Compress::Zlib.3
 - Digest.3
 - Digest::HMAC.3
 - Digest::HMAC_MD5.3
 - Digest::HMAC_SHA1.3
 - Digest::MD2.3
 - Digest::MD5.3
 - Digest::SHA1.3
 - File::Listing.3
 - Font::AFM.3
 - GD.3
 - HTML::Entities.3
 - HTML::Filter.3
 - HTML::HeadParser.3
 - HTML::LinkExtor.3
 - HTML::Parser.3
 - HTML::Tokenizer.3
 - HTTP::Cookies.3
 - HTTP::Daemon.3
 - HTTP::Date.3
 - HTTP::Headers.3
 - HTTP::Headers::Util.3
 - HTTP::Message.3
 - HTTP::Negotiate.3
 - HTTP::Request.3
 - HTTP::Request::Common.3
 - HTTP::Response.3
 - HTTP::Status.3
 - IO.3
 - IO::AtomicFile.3
 - IO::Dir.3
 - IO::File.3
 - IO::Handle.3
 - IO::Lines.3
 - IO::Pipe.3
 - IO::Poll.3
 - IO::Scalar.3
 - IO::ScalarArray.3
 - IO::Seekable.3
 - IO::Select.3
 - IO::Socket.3
 - IO::Socket::INET.3
 - IO::Socket::UNIX.3
 - IO::Stringy.3
 - IO::Wrap.3
 - IO::WrapTie.3
 - LWP.3
 - LWP::Debug.3
 - LWP::MediaTypes.3
 - LWP::MemberMixin.3
 - LWP::Protocol.3
 - LWP::RobotUA.3
 - LWP::Simple.3
 - LWP::UserAgent.3
 - MD5.3
 - MIME::Base64.3
 - MIME::QuotedPrint.3
 - Net::Cmd.3
 - Net::Domain.3

- pwd.pl
- shellwords.pl
- sigtrap.pm
- stat.pl
- strict.pm
- subs.pm
- syslog.pl
- tainted.pl
- termcap.pl
- timelocal.pl
- validate.pl
- vars.pm
- site_perl
 - 5.005
 - Bundle
 - LWP.pm
 - File
 - Listing.pm
 - Font
 - AFM.pm
 - Metrics
 - Courier.pm
 - CourierBold.pm
 - CourierBoldOblique.pm
 - CourierOblique.pm
 - Helvetica.pm
 - HelveticaBold.pm
 - HelveticaBoldOblique.pm
 - HelveticaOblique.pm
 - TimesBold.pm
 - TimesBoldItalic.pm
 - TimesItalic.pm
 - TimesRoman.pm
 - HTML
 - Entities.pm
 - Filter.pm
 - HeadParser.pm
 - LinkExtor.pm
 - Parser.pm
 - TokenParser.pm
 - HTTP
 - Cookies.pm
 - Daemon.pm
 - Date.pm
 - Headers
 - Auth.pm
 - ETag.pm
 - Util.pm
 - Headers.pm
 - Message.pm
 - Negotiate.pm
 - Request
 - Common.pm
 - Request.pm
 - Response.pm
 - Status.pm
 - IO
 - AtomicFile.pm
 - Lines.pm
 - Scalar.pm
 - ScalarArray.pm
 - Stringy.pm
 - Wrap.pm
 - WrapTie.pm
 - LWP
 - Authen
 - Basic.pm
 - Digest.pm
 - Debug.pm
 - MediaTypes.pm
 - MemberMixin.pm
 - Protocol
 - data.pm
 - file.pm
 - ftp.pm
 - gopher.pm
 - http.pm
 - https.pm
 - mailto.pm
 - nntp.pm

- Protocol.pm
- RobotUA.pm
- Simple.pm
- UserAgent.pm
- media.types
- LWP.pm
- URI
 - Escape.pm
 - Heuristic.pm
 - URL.pm
 - WithBase.pm
 - _foreign.pm
 - _generic.pm
 - _login.pm
 - _query.pm
 - _segment.pm
 - _server.pm
 - _userpass.pm
 - data.pm
 - file
 - Base.pm
 - FAT.pm
 - Mac.pm
 - OS2.pm
 - Unix.pm
 - Win32.pm
 - file.pm
 - ftp.pm
 - gopher.pm
 - http.pm
 - https.pm
 - ldap.pm
 - mailto.pm
 - news.pm
 - nntp.pm
 - pop.pm
 - rlogin.pm
 - snews.pm
 - telnet.pm
- URI.pm
- WWW
 - RobotRules
 - AnyDBM_File.pm
 - RobotRules.pm
- i686-linux
 - Compress
 - Zlib.pm
 - Digest
 - HMAC.pm
 - HMAC_MD5.pm
 - HMAC_SHA1.pm
 - MD2.pm
 - MD5.pm
 - SHA1.pm
 - Digest.pm
 - GD.pm
 - MD5.pm
 - MIME
 - Base64.pm
 - QuotedPrint.pm
 - Net
 - Cmd.pm
 - Config.pm
 - Domain.pm
 - Dummylnetd.pm
 - FTP
 - A.pm
 - E.pm
 - I.pm
 - L.pm
 - dataconn.pm
 - FTP.pm
 - NNTP.pm
 - Netrc.pm
 - PH.pm
 - POP3.pm
 - SMTP.pm
 - SNPP.pm
 - Time.pm
- SHA.pm



- libperl.a
- listfile.pm
- locate.pl
- log.pl
- monitor.pl
- os.pl
- packagename
- packagetools
- packagetools.bat
- parse.pl
- printkids.pl
- printpath.pl
- rawformat
- rawformat.bat
- relocate
- result.pm
- runspec
- runspec.bat
- scripts.aix
 - membackground
 - memstart
 - memstop
 - ns-cnt.sh
 - tprofwait
 - waiter
 - waiter.c
- scripts.misc
 - checkupdates
 - cleanexe
 - cleanrun
 - cleanuptree
 - genmanifest.sh

- gprofall
- gprofeach
- index.pl
- maketars.sh
- mesa-compare
- miscat
- mkgraphs.pl
- prune.sh

- scripts.sun
 - mywsm

- specdiff
- specdiff.bat
- specgzip
- specinvoke
- specmake
- specperl
- spectar
- util.pl
- vars.pl
- verify_md5
- version

- config

- Alpha_NT.cfg
- HPfp1.cfg
- HPint1.cfg
- Tru64_Unix.cfg
- aix.cfg
- aix.pwr3.cfg
- aix.rs64b.cfg
- alpha-linux-gcc-nag-ffm.cfg
- alpha-linux-gcc-nag.cfg
- alpha-linux-gem.cfg
- default.cfg
- fujitsu-siemens-nt-50.cfg
- intel_linux.cfg
- intel_linux.cfg.20030311
- intel_linux.cfg.20030311a
- intel_linux.cfg.20030311b
- intel_linux.cfg.20030311c
- intel_linux.cfg.20030311d
- intel_linux.cfg.20030311e
- intel_linux.cfg.20030311f
- intel_linux.cfg.20030311g
- intel_linux.cfg.20030311h
- intel_linux.cfg.20030320
- intel_linux.cfg.20030321
- intel_linux.cfg.20030321a
- intel_linuxO0.cfg
- intel_linuxO0.cfg.20030320
- intel_linuxO0.cfg.20030325
- intel_linuxO0.cfg.20030325a
- intel_linuxO0.cfg.20030326
- intel_linuxO1.cfg
- intel_linuxO1.cfg.20030320
- intel_linuxO1.cfg.20030325
- intel_linuxO1.cfg.20030326
- intel_linuxO1.cfg.20030326a
- intel_linuxO2.cfg
- intel_linuxO2.cfg.20030325
- intel_linuxO2.cfg.20030326
- intel_linuxO2.cfg.20030326a
- intel_linuxO3.cfg
- intel_linuxO3.cfg.20030320
- intel_linuxO3.cfg.20030325
- intel_linuxO3.cfg.20030326
- intel_linuxO3.cfg.20030326a
- intel_linuxO3.cfg.20030518
- intel_linuxO3.cfg.20030518a
- intel_linuxO3.cfg.20030518b
- intel_linuxO3.cfg.20030518c
- intel_linuxO3.cfg.20030524
- intel_linuxO3.cfg.20030527
- intel_linuxO3.cfg.20030527a
- intel_linuxO3.cfg.20030527b
- intel_linuxO3.cfg.20030527c
- intel_linuxO3.cfg.20030527d
- intel_linuxO3.cfg.20030527e
- intel_linuxO3unroll.cfg
- intel_linuxO3unroll.cfg.20030325
- intel_linuxO3unroll.cfg.20030326

- intel_linuxO3unroll.cfg.20030326a
- intel_linuxO3unrollALL.cfg
- intel_linuxO3unrollALL.cfg.20030325
- intel_linuxO3unrollALL.cfg.20030326
- intel_linuxO3unrollALL.cfg.20030326a
- intel_nt_visual_studio.cfg
- old_1.0
 - Alpha_NT.cfg
 - Tru64_Unix.cfg
 - aix.cfg
 - aix.pwr3.cfg
 - aix.rs64b.cfg
 - alpha-linux-gcc-nag-ffm.cfg
 - alpha-linux-gcc-nag.cfg
 - alpha-linux-gem.cfg
 - default.cfg
 - fujitsu-siemens-nt-45.cfg
 - intel_linux.cfg
 - intel_nt.cfg
 - intel_nt_visual_studio.cfg
 - ppc32_linux.cfg
 - sgi.cfg
 - sun_sparc_linux.cfg
 - sun_sparc_solaris.cfg
- ppc32_linux.cfg
- sgi.cfg
- sun_sparc_linux.cfg
- sun_sparc_solaris.cfg
- docs
 - changes_in_V1.1.txt
 - config.txt
 - credits.txt
 - errata.txt
 - example-advanced.cfg
 - example-medium.cfg
 - example-simple.cfg
 - execution_without_SPEC_tools.txt
 - install_guide_nt.txt
 - install_guide_unix.txt
 - legal.txt
 - makevars.txt
 - readme1st.txt
 - runrules.txt
 - runspec.txt
 - system_requirements.txt
 - techsupport.txt
 - tools_build.txt
 - utility.txt
- install.bat
- install.sh
- result
 - CINT2000.004.asc
 - CINT2000.004.raw
 - CINT2000.005.asc
 - CINT2000.005.cfg
 - CINT2000.005.html
 - CINT2000.005.pdf
 - CINT2000.005.raw
 - CINT2000.006.asc
 - CINT2000.006.cfg
 - CINT2000.006.html
 - CINT2000.006.pdf
 - CINT2000.006.raw
 - CINT2000.033.asc
 - CINT2000.033.cfg
 - CINT2000.033.html
 - CINT2000.033.pdf
 - CINT2000.033.raw
 - CINT2000.034.asc
 - CINT2000.034.cfg
 - CINT2000.034.html
 - CINT2000.034.pdf
 - CINT2000.034.raw
 - CINT2000.036.asc
 - CINT2000.036.cfg
 - CINT2000.036.html
 - CINT2000.036.pdf
 - CINT2000.036.raw
 - CINT2000.038.asc
 - CINT2000.038.cfg

____ CINT2000.038.html
____ CINT2000.038.pdf
____ CINT2000.038.raw
____ CINT2000.044.asc
____ CINT2000.044.cfg
____ CINT2000.044.html
____ CINT2000.044.pdf
____ CINT2000.044.raw
____ CINT2000.047.asc
____ CINT2000.047.cfg
____ CINT2000.047.html
____ CINT2000.047.pdf
____ CINT2000.047.raw
____ CINT2000.048.asc
____ CINT2000.048.cfg
____ CINT2000.048.html
____ CINT2000.048.pdf
____ CINT2000.048.ps
____ CINT2000.048.raw
____ CINT2000.050.asc
____ CINT2000.050.cfg
____ CINT2000.050.html
____ CINT2000.050.pdf
____ CINT2000.050.ps
____ CINT2000.050.raw
____ images
 ____ basebar.gif
 ____ invalid.gif
 ____ peakbar.gif
 ____ scale.005.gif
 ____ scale.300.gif
 ____ scale.400.gif
 ____ scale.450.gif
 ____ scale.600.gif
 ____ scale.700.gif
____ log.001
____ log.002
____ log.003
____ log.004
____ log.005
____ log.006
____ log.007
____ log.008
____ log.009
____ log.010
____ log.011
____ log.012
____ log.013
____ log.014
____ log.015
____ log.016
____ log.017
____ log.018
____ log.019
____ log.020
____ log.021
____ log.022
____ log.023
____ log.024
____ log.025
____ log.026
____ log.027
____ log.028
____ log.029
____ log.030
____ log.031
____ log.032
____ log.033
____ log.034
____ log.035
____ log.036
____ log.037
____ log.038
____ log.039
____ log.040
____ log.041
____ log.042
____ log.043
____ log.044
____ log.045

log.046
log.047
log.048
log.049
log.050
log.051
log.052
log.053
log.054
log.055
log.056
log.057
log.058
log.059
log.060
log.061
log.062
log.063
log.064
log.065
log.066
log.067
log.068
log.069
log.070
log.071
log.072
log.073
log.074
log.075
log.076
log.077
log.078
log.079
log.080
log.081
log.082
log.083
log.084
log.085
log.086
log.087
log.088
log.089
log.090
log.091
log.092
log.093
log.094
log.095
log.096
log.097
log.098
log.099
log.100
log.101
log.102
log.103
log.104
log.105
log.106
log.107
log.108
log.109
log.110
log.111
log.112
log.113
log.114
log.115
log.116
log.117
log.118
log.119
log.120
log.121
log.122
log.123
log.124
log.125

log. 126
log. 127
log. 128
log. 129
log. 130
log. 131
log. 132
log. 133
log. 134
log. 135
log. 136
log. 137
log. 138
log. 139
log. 140
log. 141
log. 142
log. 143
log. 144
log. 145
log. 146
log. 147
log. 148
log. 149
log. 150
log. 151
log. 152
log. 153
log. 154
log. 155
log. 156
log. 157
log. 158
log. 159
log. 160
log. 161
log. 162
log. 163
log. 164
log. 165
log. 166
log. 167
log. 168
log. 169
log. 170
log. 171
log. 172
log. 173
log. 174
log. 175
log. 176
log. 177
log. 178
log. 179
log. 180
log. 181
log. 182
log. 183
log. 184
log. 185
log. 186
log. 187
log. 188
log. 189
log. 190
log. 191
log. 192
log. 193
log. 194
log. 195
log. 196
log. 197
log. 198
log. 199
log. 200
log. 201
log. 202
log. 203
log. 204
log. 205

```

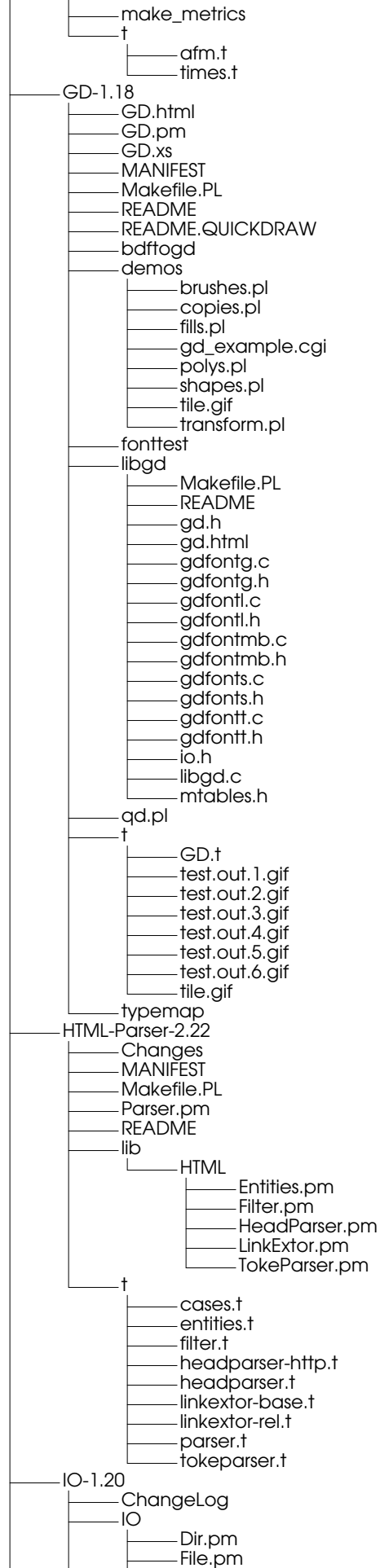
log.206
log.207
log.208
log.209
log.210
log.211
log.212
log.213
log.lock
shrc
shrc.bat
tools
  bin
    HPUX_1100-pa20
      cpu2000tools-HPUX_1100-pa20.tar.gz
      specgzip
      spectar
    Tru64-Unix-Alpha
      cpu2000tools-Tru64-Unix-Alpha.tar.gz
      specgzip
      spectar
    aix433-common
      cpu2000tools-aix433-common.tar.gz
      specgzip
      spectar
    irix6.5-mips
      cpu2000tools-irix6.5-mips.tar.gz
      excludearch
      specgzip
      spectar
    linux-ppc
      cpu2000tools-linux-ppc.tar.gz
      specgzip
      spectar
    linux-redhat62-alpha
      cpu2000tools-linux-redhat62-alpha.tar.gz
      specgzip
      spectar
    linux-redhat62-i686
      cpu2000tools-linux-redhat62-i686.tar.gz
      excludearch
      specgzip
      spectar
    linux-redhat62-sparc
      cpu2000tools-linux-redhat62-sparc.tar.gz
      excludearch
      specgzip
      spectar
    nt40-alpha
      cpu2000tools-nt40-alpha.tar.gz
      specgzip.exe
      spectar.exe
    nt40-i386
      cpu2000tools-nt40-i386.tar.gz
      excludearch
      specgzip.exe
      spectar.exe
    reliant-unix
      cpu2000tools-reliant-unix.tar.gz
      specgzip
      spectar
    solaris-sparc
      cpu2000tools-solaris-sparc.tar.gz
      specgzip
      spectar
    solaris8-i86pc
      cpu2000tools-solaris8-i86pc.tar.gz
      excludearch
      specgzip
      spectar
    solaris8-sparc
      cpu2000tools-solaris8-sparc.tar.gz
      specgzip
      spectar
  src
    Compress-Zlib-1.03
      ANNOUNCE
      MANIFEST
      Makefile.PL
      README

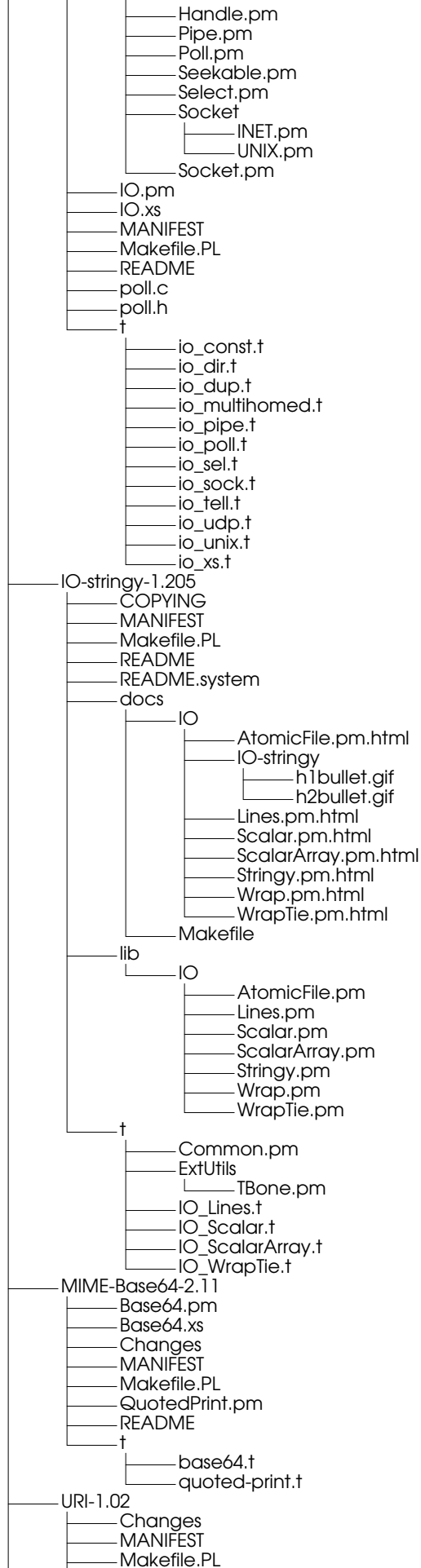
```

```

— Zlib.pm
— Zlib.xs
— examples
  — filtdef
  — filtif
  — gzcat
  — gzgrep
  — gzstream
— †
  — examples.t
  — zlib.t
— typemap
— Digest-MD5-2.06
— Changes
— MANIFEST
— MD2
  — MD2.pm
  — MD2.xs
  — Makefile.PL
  — rfc1319.txt
  — †
    — md2.t
  — typemap
— MD5.pm
— MD5.xs
— Makefile.PL
— README
— SHA1
  — Makefile.PL
  — SHA1.pm
  — SHA1.xs
  — lib
    — SHA.pm
  — †
    — sha.t
    — sha1.t
  — typemap
— examples
  — mddriver.pl
  — twdigest.pl
— hints
  — dec_osf.pl
  — irix_6.pl
— lib
  — Digest
    — HMAC.pm
    — HMAC_MD5.pm
    — HMAC_SHA1.pm
  — Digest.pm
  — MD5.pm
— rfc1321.txt
— rfc2104.txt
— †
  — digest.t
  — files.t
  — md5-aaa.t
  — md5.t
  — rfc2202.t
— typemap
— Font-AFM-1.18
— AFM.pm
— Changes
— MANIFEST
— Makefile.PL
— README
— lib
  — Font
    — Metrics
      — Courier.pm
      — CourierBold.pm
      — CourierBoldOblique.pm
      — CourierOblique.pm
      — Helvetica.pm
      — HelveticaBold.pm
      — HelveticaBoldOblique.pm
      — HelveticaOblique.pm
      — TimesBold.pm
      — TimesBoldItalic.pm
      — TimesItalic.pm
      — TimesRoman.pm

```





```

— README
— URI
  — Escape.pm
  — Heuristic.pm
  — URL.pm
  — WithBase.pm
  — _foreign.pm
  — _generic.pm
  — _login.pm
  — _query.pm
  — _segment.pm
  — _server.pm
  — _userpass.pm
  — data.pm
  — file
    — Base.pm
    — FAT.pm
    — Mac.pm
    — OS2.pm
    — Unix.pm
    — Win32.pm
  — file.pm
  — ftp.pm
  — gopher.pm
  — http.pm
  — https.pm
  — ldap.pm
  — mailto.pm
  — news.pm
  — nntp.pm
  — pop.pm
  — rlogin.pm
  — snews.pm
  — telnet.pm
— URI.pm
— rfc2396.txt
— †
  — abs.t
  — data.t
  — file.t
  — generic.t
  — heuristic.t
  — http.t
  — ldap.t
  — mailto.t
  — mix.t
  — news.t
  — old-absconf.t
  — old-base.t
  — old-relbase.t
  — pop.t
  — roy-test.t
  — royttest1.html
  — royttest2.html
  — royttest3.html
  — royttest4.html
  — royttest5.html
— uri-test
— bin
  — ranlib.siemens
— buildlogs
  — buildlog.HPUX_1100_pa20-104.txt.gz
  — buildlog.Tru64-Unix-Alpha-104.txt.gz
  — buildlog.aix433-common.txt.gz
  — buildlog.irix6.5-mips-105.txt.gz
  — buildlog.linux-ppc-104.txt.gz
  — buildlog.linux-redhat62-alpha.txt.gz
  — buildlog.linux-redhat62-i686.txt.gz
  — buildlog.linux-redhat62-sparc.txt.gz
  — buildlog.nt40-alpha.txt.gz
  — buildlog.nt40-i386-104.txt.gz
  — buildlog.reliant-unix-104.txt.gz
  — buildlog.solaris-sparc.txt.gz
  — buildlog.solaris8-i86pc-104.txt.gz
  — buildlog.solaris8-sparc.txt.gz
  — buildlog.svr4-i386.txt.gz
— buildtools
— buildtools.bat
— gzip-1.2.4
— COPYING

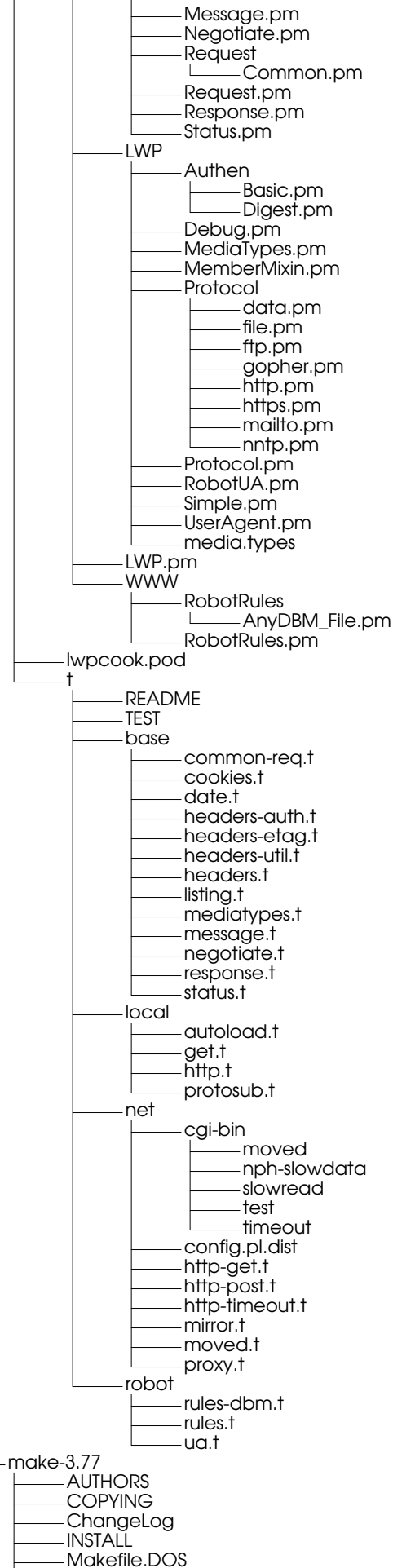
```

- ChangeLog
- INSTALL
- Makefile.in
- NEWS
- README
- THANKS
- TODO
- algorithm.doc
- amiga
 - Makefile.gcc
 - Makefile.sasc
 - match.a
 - tailor.c
 - utime.h
- atari
 - Makefile.st
- bits.c
- configure
- configure.in
- crypt.c
- crypt.h
- deflate.c
- getopt.c
- getopt.h
- gpl.texinfo
- gzexe.in
- gzexe.in.orig
- gzip.c
- gzip.doc
- gzip.h
- gzip.texi
- inflate.c
- lzw.c
- lzw.h
- match.S
- msdos
 - Makefile.bor
 - Makefile.djg
 - Makefile.msc
 - doturboc.bat
 - gzip.prj
 - match.asm
 - tailor.c
- nt
 - Makefile.nt
- os2
 - Makefile.os2
 - gzip.def
 - gzip16.def
- primos
 - build.cpl
 - ci.opts
 - include
 - errno.h
 - fcntl.h
 - stdlib.h
 - sysStat.h
 - sysTypes.h
 - primos.c
 - readme
- revision.h
- sample
 - add.c
 - makecrc.c
 - sub.c
 - zfile
 - zread.c
 - ztouch
- tailor.h
- texinfo.tex
- trees.c
- unzh.c
- unlzw.c
- unpack.c
- unzip.c
- util.c
- vms
 - Makefile.gcc
 - Makefile.mms
 - Makefile.vms


```

    Readme.vms
    gzip.hlp
    makegzip.com
    vms.c
zdiff.in
zforce.in
zgrep.in
zip.c
zmore.in
znew.in
libnet-1.0606
  ChangeLog
  Configure
  FAQ
  Hostname.pm.eg
  MANIFEST
  Makefile.PL
  Net
    Cmd.pm
    Domain.pm
    Dummyinetd.pm
    FTP
      A.pm
      E.pm
      I.pm
      L.pm
      dataconn.pm
    FTP.pm
    NNTP.pm
    Netrc.pm
    PH.pm
    POP3.pm
    SMTP.pm
    SNPP.pm
    Time.pm
  README
  README.config
  demos
    ftp
    inetd
    nntp
    nntp.mirror
    pop3
    smtp.self
    snpp
    time
  libnet.cfg
  t
    ftp.t
    hostname.t
    nntp.t
    ph.t
    require.t
    smtp.t
libnet.cfg
libwww-perl-5.42
  ChangeLog
  MANIFEST
  Makefile.PL
  README
  TODO
  bin
    lwp-download.PL
    lwp-mirror.PL
    lwp-request.PL
    lwp-rget.PL
  lib
    Bundle
      LWP.pm
    File
      Listing.pm
    HTTP
      Cookies.pm
      Daemon.pm
      Date.pm
      Headers
        Auth.pm
        ETag.pm
        Util.pm
      Headers.pm

```



- Makefile.am
- Makefile.ami
- Makefile.in
- NEWS
- README
- README.Amiga
- README.DOS
- README.W32
- README.customs
- SOPTIONS
- SMakefile
- acconfig.h
- acinclude.m4
- aclocal.m4
- alloca.c
- amiga.c
- amiga.h
- ar.c
- arscan.c
- build.sh.in
- build_w32.bat
- commands.c
- commands.h
- config.ami
- config.h-vms
- config.h.W32
- config.h.in
- config.h.in
- config.h.in
- configure
- configure.bat
- configure.in
- default.c
- dep.h
- dir.c
- dosbuild.bat
- expand.c
- file.c
- filedef.h
- function.c
- getloadavg.c
- getopt.c
- getopt.h
- getopt1.c
- glob
- COPYING.LIB
- ChangeLog
- Makefile.am
- Makefile.ami
- Makefile.in
- SOPTIONS
- SMakefile
- aclocal.m4
- config.h.in
- configure
- configure.bat
- configure.in
- fnmatch.c
- fnmatch.h
- glob.c
- glob.h
- stamp-h.in
- implicit.c
- install-sh
- job.c
- job.h
- main.c
- make-stds.texi
- make.1
- make.h
- make.info
- make.info-1
- make.info-10
- make.info-2
- make.info-3
- make.info-4
- make.info-5
- make.info-6
- make.info-7
- make.info-8
- make.info-9

- make.lnk
- make.texinfo
- makefile.com
- makefile.vms
- misc.c
- missing
- mkinstalldirs
- nmakefile
- read.c
- readme.vms
- remake.c
- remote-cstms.c
- remote-stub.c
- rule.c
- rule.h
- signame.c
- signame.h
- stamp-h.in
- subproc.bat
- texinfo.tex
- variable.c
- variable.h
- version.c
- vmsdir.h
- vmsfunctions.c
- vmsify.c
- vpath.c
- w32
 - compat
 - dirent.c
 - include
 - dirent.h
 - pathstuff.h
 - sub_proc.h
 - w32err.h
 - pathstuff.c
 - subproc
 - NMakefile
 - build.bat
 - misc.c
 - proc.h
 - sub_proc.c
 - w32err.c
- nttar-1.11.2a
 - COPYING
 - ChangeLog
 - INSTALL
 - Makefile.in
 - NEWS
 - README
 - alloca.c
 - backup-specs
 - buffer.c
 - buffer_p.h
 - configure
 - configure.in
 - create.c
 - create_p.h
 - diffarch.c
 - diffarch_p.h
 - dump-remind
 - exparg.c
 - extract.c
 - extract_p.h
 - fnmatch.c
 - fnmatch.h
 - getdate.c
 - getdate.y
 - getdate_p.h
 - getoldopt.c
 - getoldopt_d.h
 - getopt.c
 - getopt.h
 - getopt1.c
 - getpagesize.h
 - gnu.c
 - gnu_p.h
 - level-0
 - level-1
 - list.c

```

—— list_p.h
—— makefile.nt
—— makefile.pc
—— malloc.c
—— mangle.c
—— mangle_p.h
—— msd_dir.c
—— msd_dir.h
—— names.c
—— open3.h
—— opt-help
—— pathmax.h
—— port.c
—— port.h
—— port_p.h
—— proto.h
—— regex.c
—— regex.h
—— rmt.c
—— rmt.h
—— rtapelib.c
—— sysdir.h
—— tar.c
—— tar.h
—— tar_p.h
—— testpad.c
—— update.c
—— update_p.h
—— version.c
—— wnt_dir.c
—— wnt_dir.h
os390
—— Compress-Zlib-1.03
——   └── Makefile.PL
—— buildtools
—— exectest
——   ├── a.out
——   ├── exectest.c
——   └── exectest.o
—— make-3.77
——   ├── config.status
——   ├── glob
——   └──   └── config.status
——   └── mungestuff.sh
pdflib-2.0
—— Makefile.in
—— PDFlib.dsw
—— bind
——   ├── c
——   ├──   ├── Makefile.in
——   ├──   ├── c.dsp
——   ├──   ├── hello.c
——   ├──   ├── pdfclock.c
——   ├──   └── readme.txt
——   ├── cgi
——   ├──   └── pdfclock.cgi
——   ├── cpp
——   ├──   ├── Cplusplus.dsp
——   ├──   ├── Makefile.in
——   ├──   ├── hello.cpp
——   ├──   ├── pdfclock.cpp
——   ├──   ├── pdflib.cpp
——   ├──   ├── pdflib.hpp
——   ├──   └── readme.txt
——   ├── java
——   ├──   ├── Java.dsp
——   ├──   ├── Makefile.in
——   ├──   ├── hello.java
——   ├──   ├── pdfclock.java
——   ├──   ├── pdflib.java
——   ├──   ├── pdflib_java.c
——   ├──   ├── pdflib_java.doc
——   ├──   └── readme.txt
——   └── perl
——   ├──   ├── Makefile.in
——   ├──   ├── Makefile.nt
——   ├──   ├── Perl.dsp
——   ├──   ├── hello.pl
——   ├──   ├── pdfclock.pl
——   └──   └── pdflib.pm

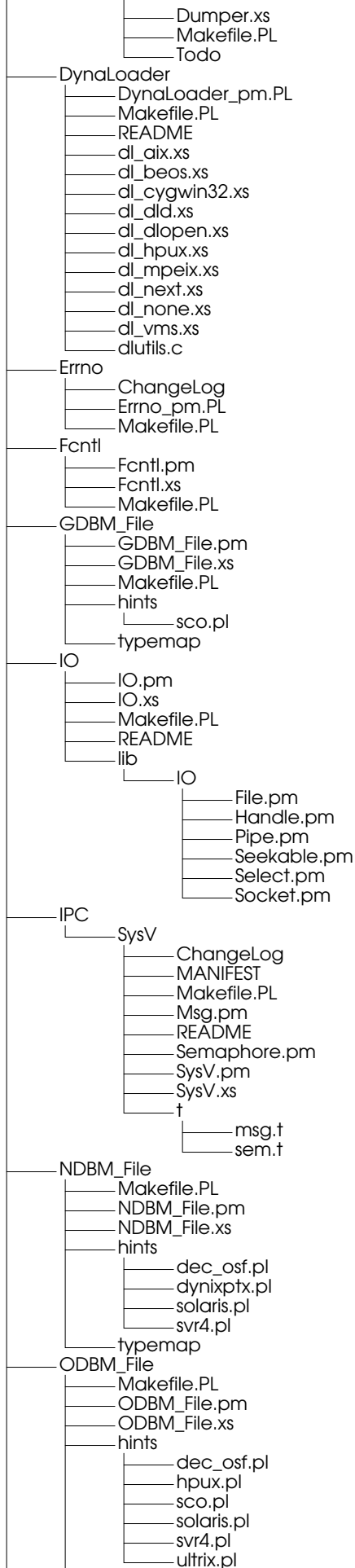
```

- pdflib_pl.c
- pdflib_pl.doc
- readme.txt
- python
 - Makefile.in
 - Python.dsp
 - hello.py
 - pdfclock.py
 - pdflib_py.c
 - pdflib_py.doc
 - readme.txt
- tcl
 - Makefile.in
 - Tcl.dsp
 - hello.tcl
 - pdfclock.tcl
 - pdflib_tcl.c
 - pdflib_tcl.doc
 - pkgIndex.tcl
 - readme.txt
- vb
 - VisualBasic.dsp
 - hello.bas
 - pdfclock.bas
 - pdflib_vb.def
 - pdflib_vb.idl
 - readme.txt
- clients
 - Makefile.in
 - pdfgraph.c
 - pdfimage.c
 - text2pdf.c
- configure
- configure.in
- doc
 - PDFlib.pdf
 - changes.txt
 - compatibility.txt
 - install.txt
 - license.pdf
- fonts
 - Courier-Bold.afm
 - Courier-BoldOblique.afm
 - Courier-Oblique.afm
 - Courier.afm
 - Helvetica-Bold.afm
 - Helvetica-BoldOblique.afm
 - Helvetica-Oblique.afm
 - Helvetica.afm
 - Symbol.afm
 - Times-Bold.afm
 - Times-BoldItalic.afm
 - Times-Italic.afm
 - Times-Roman.afm
 - ZapfDingbats.afm
 - pdflib.upr
 - readme.txt
- pdflib
 - Makefile.in
 - ansi_e.h
 - macrom_e.h
 - p_afmparse.c
 - p_afmparse.h
 - p_annots.c
 - p_basic.c
 - p_ccitt.c
 - p_color.c
 - p_config.h
 - p_draw.c
 - p_filter.c
 - p_font.c
 - p_gif.c
 - p_gstate.c
 - p_hyper.c
 - p_image.c
 - p_intern.h
 - p_jpeg.c
 - p_metrics_mac.h
 - p_metrics_win.h
 - p_text.c

- p_tiff.c
- p_util.c
- pdfdoc_e.h
- pdflib.dsp
- pdflib.h
- pdflib.i
- readme.txt
- test
 - Makefile.in
 - acroweb_j.tif
 - graphdata
 - nesrin.jpg
 - pdflib.gif
 - pdftest.c
 - test.dsp
 - tm.g3
- util
 - Makefile.in
 - compile_metrics.c
 - getopt.c
 - install-sh
 - readme.txt
- perl5.005_03
 - Artistic
 - Changes
 - Changes5.000
 - Changes5.001
 - Changes5.002
 - Changes5.003
 - Changes5.004
 - Configure
 - Copying
 - EXTERN.h
 - INSTALL
 - INTERN.h
 - MANIFEST
 - Makefile.SH
 - Policy_sh.SH
 - Porting
 - Contract
 - Glossary
 - config.sh
 - config_H
 - findvars
 - fixCORE
 - fixvars
 - genlog
 - makerel
 - p4d2p
 - patching.pod
 - patchls
 - pumpkin.pod
 - README
 - README.amiga
 - README.apollo
 - README.beos
 - README.cygwin32
 - README.dos
 - README.hpux
 - README.hurd
 - README.mint
 - README.mpeix
 - README.os2
 - README.os390
 - README.plan9
 - README.qnx
 - README.threads
 - README.vms
 - README.vos
 - README.win32
 - Todo
 - Todo-5.005
 - XSUB.h
 - XStlock.h
 - apollo
 - netinet
 - in.h
 - av.c
 - av.h
 - beos

- nm.c
- bytecode.h
- bytecode.pl
- byterun.c
- byterun.h
- cc_runtime.h
- cflags.SH
- config_h.SH
- configm
- configure.com
- configure.gnu
- cop.h
- cv.h
- cygwin32
 - cw32imp.h
 - gcc2
 - ld2
 - perlgcc
 - perlld
- deb.c
- djgpp
 - config.over
 - configure.bat
 - djgpp.c
 - djgppsed.sh
 - fixpmain
- doio.c
- doop.c
- dosish.h
- dump.c
- ebcdic.c
- eg
 - ADB
 - README
 - cgi
 - RunMeFirst
 - caution.xbm
 - clickable_image.cgi
 - cookie.cgi
 - crash.cgi
 - customize.cgi
 - diff_upload.cgi
 - dna.small.gif.uu
 - file_upload.cgi
 - frameset.cgi
 - index.html
 - internal_links.cgi
 - javascript.cgi
 - monty.cgi
 - multiple_forms.cgi
 - nph-clock.cgi
 - nph-multipart.cgi
 - popup.cgi
 - save_state.cgi
 - tryit.cgi
 - wilogo.gif.uu
 - changes
 - client
 - down
 - dus
 - findcp
 - findtar
 - g
 - gcp
 - gcp.man
 - ged
 - ghosts
 - gsh
 - gsh.man
 - muck
 - muck.man
 - myrup
 - nih
 - relink
 - rename
 - rmfrom
 - scan
 - scan_df
 - scan_last
 - scan_messages

- scan_passwd
- scan_ps
- scan_sudo
- scan_suid
- scanner
- server
- shmkill
- sysvipc
 - README
 - ipcmsg
 - ipcsem
 - ipcshm
- travesty
- unuc
- uudecode
- van
 - empty
 - unvanish
 - vanexp
 - vanish
- who
- wrapsuid
- emacs
 - cperl-mode.el
 - ptags
- embed.h
- embed.pl
- embedvar.h
- ext
 - B
 - B
 - Asmdata.pm
 - Assembler.pm
 - Bblock.pm
 - Bytecode.pm
 - C.pm
 - CC.pm
 - Debug.pm
 - Deparse.pm
 - Disassembler.pm
 - Lint.pm
 - Showlex.pm
 - Stackobj.pm
 - Terse.pm
 - Xref.pm
 - assemble
 - cc_harness
 - disassemble
 - makeliblinks
 - B.pm
 - B.xs
 - Makefile.PL
 - NOTES
 - O.pm
 - README
 - TESTS
 - Todo
 - byteperl.c
 - ramblings
 - cc.notes
 - curcop.runtime
 - flip-flop
 - magic
 - reg_alloc
 - runtime.porting
 - typemap
 - DB_File
 - Changes
 - DB_File.pm
 - DB_File.xs
 - DB_File_BS
 - Makefile.PL
 - dbinfo
 - hints
 - dynixptx.pl
 - typemap
 - Data
 - Dumper
 - Changes
 - Dumper.pm



- typemap
- Opcode
 - Makefile.PL
 - Opcode.pm
 - Opcode.xs
 - Safe.pm
 - ops.pm
- POSIX
 - Makefile.PL
 - POSIX.pm
 - POSIX.pod
 - POSIX.xs
 - hints
 - bsdos.pl
 - dynixptx.pl
 - freebsd.pl
 - linux.pl
 - mint.pl
 - netbsd.pl
 - next_3.pl
 - openbsd.pl
 - sunos_4.pl
 - typemap
- SDBM_File
 - Makefile.PL
 - SDBM_File.pm
 - SDBM_File.xs
 - sdbm
 - CHANGES
 - COMPARE
 - Makefile.PL
 - README
 - README.too
 - biblio
 - dba.c
 - dbd.c
 - dbe.1
 - dbe.c
 - dbm.c
 - dbm.h
 - dbu.c
 - grind
 - hash.c
 - linux.patches
 - makefile.sdbm
 - pair.c
 - pair.h
 - readme.ms
 - sdbm.3
 - sdbm.c
 - sdbm.h
 - tune.h
 - util.c
 - typemap
- Socket
 - Makefile.PL
 - Socket.pm
 - Socket.xs
- Thread
 - Makefile.PL
 - Notes
 - README
 - Thread
 - Queue.pm
 - Semaphore.pm
 - Signal.pm
 - Specific.pm
 - Thread.pm
 - Thread.xs
 - create.t
 - die.t
 - die2.t
 - io.t
 - join.t
 - join2.t
 - list.t
 - lock.t
 - queue.t
 - specific.t
 - sync.t

- _____machten.sh
- _____machten_2.sh
- _____mint.sh
- _____mips.sh
- _____mpc.sh
- _____mpeix.sh
- _____ncr_tower.sh
- _____netbsd.sh
- _____newsos4.sh
- _____next_3.sh
- _____next_3_0.sh
- _____next_4.sh
- _____openbsd.sh
- _____opus.sh
- _____os2.sh
- _____os390.sh
- _____powerux.sh
- _____qnx.sh
- _____sco.sh
- _____sco_2_3_0.sh
- _____sco_2_3_1.sh
- _____sco_2_3_2.sh
- _____sco_2_3_3.sh
- _____sco_2_3_4.sh
- _____solaris_2.sh
- _____stellar.sh
- _____sunos_4_0.sh
- _____sunos_4_1.sh
- _____svr4.sh
- _____tj1500.sh
- _____titanos.sh
- _____ultrix_4.sh
- _____umips.sh
- _____unicos.sh
- _____unicosmk.sh
- _____unisysdynix.sh
- _____utekv.sh
- _____uts.sh
- _____uwin.sh
- _____hv.c
- _____hv.h
- _____installhtml
- _____installman
- _____installperl
- _____intrpvar.h
- _____iperlsys.h
- _____keywords.h
- _____keywords.pl
- _____lib
 - _____AnyDBM_File.pm
 - _____AutoLoader.pm
 - _____AutoSplit.pm
 - _____Benchmark.pm
 - _____CGI
 - _____Apache.pm
 - _____Carp.pm
 - _____Cookie.pm
 - _____Fast.pm
 - _____Push.pm
 - _____Switch.pm
 - _____CGI.pm
 - _____CPAN
 - _____FirstTime.pm
 - _____Nox.pm
 - _____CPAN.pm
 - _____Carp.pm
 - _____Class
 - _____Struct.pm
 - _____Cwd.pm
 - _____Data
 - _____exists
 - _____Devel
 - _____SelfStubber.pm
 - _____DirHandle.pm
 - _____Dumpvalue.pm
 - _____English.pm
 - _____Env.pm
 - _____Exporter.pm
 - _____ExtUtils
 - _____Command.pm

- Embed.pm
- Install.pm
- Installed.pm
- Liblist.pm
- MM_OS2.pm
- MM_Unix.pm
- MM_VMS.pm
- MM_Win32.pm
- MakeMaker.pm
- Manifest.pm
- Mkbootstrap.pm
- Mksymlists.pm
- Packlist.pm
- inst
- testlib.pm
- typemap
- xsubpp
- Fatal.pm
- File
 - Basename.pm
 - CheckTree.pm
 - Compare.pm
 - Copy.pm
 - DosGlob.pm
 - Find.pm
 - Path.pm
 - Spec
 - Mac.pm
 - OS2.pm
 - Unix.pm
 - VMS.pm
 - Win32.pm
 - Spec.pm
 - stat.pm
- FileCache.pm
- FileHandle.pm
- FindBin.pm
- Getopt
 - Long.pm
 - Std.pm
- I18N
 - Collate.pm
- IPC
 - .exists
 - Open2.pm
 - Open3.pm
- Math
 - BigFloat.pm
 - BigInt.pm
 - Complex.pm
 - Trig.pm
- Net
 - Ping.pm
 - hostent.pm
 - netent.pm
 - protoent.pm
 - servent.pm
- Pod
 - Functions.pm
 - Html.pm
 - Text.pm
- Search
 - Dict.pm
- SelectSaver.pm
- SelfLoader.pm
- Shell.pm
- Symbol.pm
- Sys
 - Hostname.pm
 - Syslog.pm
- Term
 - Cap.pm
 - Complete.pm
 - ReadLine.pm
- Test
 - Harness.pm
- Test.pm
- Text
 - Abbrev.pm
 - ParseWords.pm

- Soundex.pm
- Tabs.pm
- Wrap.pm
- Tie
 - Array.pm
 - Handle.pm
 - Hash.pm
 - RefHash.pm
 - Scalar.pm
 - SubstrHash.pm
- Time
 - Local.pm
 - gmtime.pm
 - localtime.pm
 - tm.pm
- UNIVERSAL.pm
- User
 - grent.pm
 - pwent.pm
- abbrev.pl
- assert.pl
- autouse.pm
- base.pm
- bigfloat.pl
- bigint.pl
- bigrat.pl
- bilb.pm
- cacheout.pl
- chat2.pl
- complete.pl
- constant.pm
- ctime.pl
- diagnostics.pm
- dotsh.pl
- dumpvar.pl
- exceptions.pl
- fastcwd.pl
- fields.pm
- find.pl
- finddepth.pl
- flush.pl
- ftp.pl
- getcwd.pl
- getopt.pl
- getopts.pl
- hostname.pl
- importenv.pl
- integer.pm
- less.pm
- lib.pm
- locale.pm
- look.pl
- newgetopt.pl
- open2.pl
- open3.pl
- overload.pm
- perl5db.pl
- pwd.pl
- shellwords.pl
- sigtrap.pm
- stat.pl
- strict.pm
- subs.pm
- syslog.pl
- tainted.pl
- termcap.pl
- timelocal.pl
- validate.pl
- vars.pm
- makeaperl.SH
- makedepend.SH
- makedir.SH
- malloc.c
- mg.c
- mg.h
- minimod.pl
- miniperlmain.c
- mint
 - Makefile
 - README

```

— errno.h
— pwd.c
— stdio.h
— sys
— time.h
— time.h
mpeix
— mpeixish.h
— nm
— relink
mv-if-diff
myconfig
nostdio.h
objXSUB.h
objpp.h
op.c
op.h
opcode.h
opcode.pl
os2
— Changes
— Makefile.SHs
— OS2
— ExtAttr
— Changes
— ExtAttr.pm
— ExtAttr.xs
— MANIFEST
— Makefile.PL
— myea.h
— t
— os2_ea.t
— typemap
— PrfDB
— Changes
— MANIFEST
— Makefile.PL
— PrfDB.pm
— PrfDB.xs
— t
— os2_prfdb.t
— typemap
— Process
— MANIFEST
— Makefile.PL
— Process.pm
— Process.xs
— REXX
— Changes
— MANIFEST
— Makefile.PL
— REXX.pm
— REXX.xs
— t
— rx_cmprf.t
— rx_dllid.t
— rx_objcall.t
— rx_sql.test
— rx_tiesql.test
— rx_tievar.t
— rx_tieydb.t
— rx_varset.t
— rx_vrex.t
— POSIX.mkfifo
— diff.configure
— dl_os2.c
— dlfcn.h
— os2.c
— os2.sym
— os2ish.h
— os2thread.h
— perl2cmd.pl
patchlevel.h
perl.c
perl.h
perl_exp.SH
perlio.c
perlio.h
perlio.sym
perlsdio.h

```


- perlsfio.h
- perlish
- perlvars.h
- perly.c
- perly_fixer
- perly.h
- perly.y
- perly_c.diff
- plan9
 - aperl
 - arpa
 - inet.h
 - buildinfo
 - config.plan9
 - exclude
 - findvers
 - genconfig.pl
 - mkfile
 - myconfig.plan9
 - perlplan9.doc
 - perlplan9.pod
 - plan9.c
 - plan9ish.h
 - setup.rc
 - versnum
- pod
 - Makefile
 - buildtoc
 - checkpods.PL
 - perl.pod
 - perl5004delta.pod
 - perlapi.pod
 - perlbook.pod
 - perlbot.pod
 - perlcalls.pod
 - perldata.pod
 - perldebug.pod
 - perldelta.pod
 - perldiag.pod
 - perldsc.pod
 - perlembded.pod
 - perlfac.pod
 - perlfac1.pod
 - perlfac2.pod
 - perlfac3.pod
 - perlfac4.pod
 - perlfac5.pod
 - perlfac6.pod
 - perlfac7.pod
 - perlfac8.pod
 - perlfac9.pod
 - perform.pod
 - perfunc.pod
 - perlguts.pod
 - perlhists.pod
 - perlipc.pod
 - perllocale.pod
 - perllol.pod
 - perlmod.pod
 - perlmodinstall.pod
 - perlmodlib.pod
 - perlobj.pod
 - perlop.pod
 - perlopentut.pod
 - perlpod.pod
 - perlport.pod
 - perlre.pod
 - perlref.pod
 - perlreftut.pod
 - perlrunt.pod
 - perlsec.pod
 - perlstyle.pod
 - perlsub.pod
 - perlsyn.pod
 - perlthrtut.pod
 - perltie.pod
 - perltoc.pod
 - perltoot.pod
 - perltrap.pod
 - perlvar.pod

- perls.pod
- perlxtut.pod
- pod2html.PL
- pod2latex.PL
- pod2man.PL
- pod2text.PL
- roffitall
- roffitoc
- splitman
- splitpod
- pp.c
- pp.h
- pp_ctl.c
- pp_hot.c
- pp_proto.h
- pp_sys.c
- proto.h
- qnx
 - ar
 - cpp
- regcomp.c
- regcomp.h
- regcomp.pl
- regcomp.sym
- regexec.c
- regexp.h
- regnodes.h
- run.c
- scope.c
- scope.h
- specperl.patch
- sv.c
- sv.h
- t
 - README
 - TEST
 - base
 - cond.t
 - if.t
 - lex.t
 - pat.t
 - rs.t
 - term.t
 - cmd
 - elsif.t
 - for.t
 - mod.t
 - subval.t
 - switch.t
 - while.t
 - comp
 - cmdopt.t
 - colon.t
 - cpp.aux
 - cpp.t
 - decl.t
 - multiline.t
 - package.t
 - proto.t
 - redef.t
 - require.t
 - script.t
 - term.t
 - use.t
 - harness
 - io
 - argv.t
 - dup.t
 - fs.t
 - inplace.t
 - iprefix.t
 - pipe.t
 - print.t
 - read.t
 - tell.t
 - lib
 - abbrev.t
 - anydbm.t
 - autoloader.t
 - basename.t

- bigint.t
- bigintpm.t
- cgi-form.t
- cgi-function.t
- cgi-html.t
- cgi-request.t
- checktree.t
- complex.t
- db-btree.t
- db-hash.t
- db-recno.t
- dirhand.t
- dosglob.t
- dumper-ovl.t
- dumper.t
- english.t
- env.t
- errno.t
- fatal.t
- fields.t
- filecache.t
- filecopy.t
- filefind.t
- filehand.t
- filepath.t
- filespec.t
- findbin.t
- gdbm.t
- getopt.t
- h2ph.h
- h2ph.pht
- h2ph.t
- hostname.t
- io_dup.t
- io_pipe.t
- io_sel.t
- io_sock.t
- io_taint.t
- io_tell.t
- io_udp.t
- io_xs.t
- ipc_sysv.t
- ndbm.t
- odbm.t
- opcode.t
- open2.t
- open3.t
- ops.t
- parsewords.t
- ph.t
- posix.t
- safe1.t
- safe2.t
- sdbm.t
- searchdict.t
- selectsaver.t
- socket.t
- soundex.t
- symbol.t
- textfill.t
- texttabs.t
- textwrap.t
- thread.t
- tie-push.t
- tie-starray.t
- tie-stapush.t
- timelocal.t
- trig.t

op

- append.t
- arith.t
- array.t
- assignwarn.t
- auto.t
- avhv.t
- bop.t
- chop.t
- closure.t
- cmp.t
- cond.t

context.t
defins.t
delete.t
die.t
die_exit.t
do.t
each.t
eval.t
exec.t
exp.t
flip.t
fork.t
glob.t
goto.t
goto_xs.t
grep.t
groups.t
gv.t
hashwarn.t
inc.t
index.t
int.t
join.t
list.t
local.t
magic.t
method.t
misc.t
mkdir.t
my.t
nothread.t
oct.t
ord.t
pack.t
pat.t
pos.t
push.t
quotemeta.t
rand.t
range.t
re_tests
read.t
readdir.t
recurse.t
ref.t
regexp.t
regexp_noamp.t
repeat.t
runlevel.t
sleep.t
sort.t
splice.t
split.t
sprintf.t
stat.t
study.t
subst.t
substr.t
sysio.t
taint.t
tie.t
tiearray.t
tiehandle.t
time.t
tr.t
undef.t
universal.t
unshift.t
vec.t
wantarray.t
write.t
pragma
constant.t
locale.t
overload.t
strict-refs
strict-sub
strict-vars
strict.t
subs.t

- warn-1global
- warning.t
- taint.c
- thrdvar.h
- thread.h
- thread.sym
- toke.c
- universal.c
- unixish.h
- util.c
- util.h
- utils
 - Makefile
 - c2ph.PL
 - h2ph.PL
 - h2xs.PL
 - perlbug.PL
 - perlcc.PL
 - perldoc.PL
 - pl2pm.PL
 - splain.PL
- vms
 - descrip_mms.template
 - ext
 - DCLsym
 - OREADME.txt
 - DCLsym.pm
 - DCLsym.xs
 - Makefile.PL
 - test.pl
 - Filespec.pm
 - Stdio
 - OREADME.txt
 - Makefile.PL
 - Stdio.pm
 - Stdio.xs
 - test.pl
 - XSSymSet.pm
 - filespec.t
 - vmsish.pm
 - vmsish.t
 - gen_shrfls.pl
 - genconfig.pl
 - genopt.com
 - make_command.com
 - mms2make.pl
 - munchconfig.c
 - myconfig.com
 - perlvms.pod
 - perly_c.vms
 - perly_h.vms
 - sockadapt.c
 - sockadapt.h
 - subconfigure.com
 - test.com
 - vms.c
 - vms_yfix.pl
 - vmsish.h
 - writemain.pl
- vos
 - Changes
 - build.cm
 - compile_perl.cm
 - config.h
 - config_h.SH_orig
 - perl.bind
 - test_vos_dummies.c
 - vos_accept.c
 - vos_dummies.c
 - vosish.h
- win32
 - GenCAPI.pl
 - Makefile
 - TEST
 - autosplit.pl
 - bin
 - network.pl
 - perlglob.pl
 - pl2bat.pl
 - runperl.pl

```

    search.pl
    webget.pl
    www.pl
  config.bc
  config.gc
  config.vc
  config_H.bc
  config_H.gc
  config_H.vc
  config_h.PL
  config_sh.PL
  des_fcrypt.patch
  dl_win32.xs
  genxsdef.pl
  include
  |   arpa
  |   |   inet.h
  |   dirent.h
  |   netdb.h
  |   sys
  |   |   socket.h
  makedef.pl
  makefile.mk
  makemain.pl
  makeperldef.pl
  perlglob.c
  perllhost.h
  perllib.c
  pod.mak
  runperl.c
  splittree.pl
  win32.c
  win32.h
  win32iop.h
  win32sck.c
  win32thread.c
  win32thread.h
  writemain.SH
  x2p
  |   EXTERN.h
  |   INTERN.h
  |   Makefile.SH
  |   a2p.c
  |   a2p.h
  |   a2p.pod
  |   a2p.y
  |   a2py.c
  |   cflags.SH
  |   find2perl.PL
  |   hash.c
  |   hash.h
  |   proto.h
  |   s2p.PL
  |   str.c
  |   str.h
  |   util.c
  |   util.h
  |   walk.c
  specinvoke-1.2
  |   Makefile.in
  |   Makefile.nt
  |   config.guess
  |   config.h.in
  |   config.h.win32
  |   config.sub
  |   configure
  |   configure.in
  |   getopt.c
  |   getopt.h
  |   install-sh
  |   specinvoke.c
  tar-1.12
  |   ABOUT-NLS
  |   AC-PATCHES
  |   AM-PATCHES
  |   AUTHORS
  |   BACKLOG
  |   BI-PATCHES
  |   COPYING
  |   ChangeLog

```

- INSTALL
- Makefile.am
- Makefile.in
- NEWS
- PORTS
- README
- THANKS
- TODO
- acconfig.h
- acinclude.m4
- aclocal.m4
- config.h.in
- configure
- configure.in
- doc
 - ChangeLog
 - Makefile.am
 - Makefile.in
 - convtexi.pl
 - getdate.texi
 - header.texi
 - mdate-sh
 - stamp-vfi
 - tar.info
 - tar.info-1
 - tar.info-2
 - tar.info-3
 - tar.info-4
 - tar.info-5
 - tar.info-6
 - tar.info-7
 - tar.info-8
 - tar.texi
 - texinfo.tex
 - version.texi
- install-sh
- intl
 - ChangeLog
 - Makefile.in
 - VERSION
 - bindtextdom.c
 - cat-compat.c
 - dcgettext.c
 - dgettext.c
 - explodename.c
 - finddomain.c
 - gettext.c
 - gettext.h
 - gettextP.h
 - hash-string.h
 - intl-compat.c
 - l10nlist.c
 - libgettext.h
 - linux-msg.sed
 - loadinfo.h
 - loadmsgcat.c
 - localealias.c
 - po2tbl.sed.in
 - textdomain.c
 - xopen-msg.sed
- lib
 - ChangeLog
 - Makefile.am
 - Makefile.in
 - alloca.c
 - argmatch.c
 - argmatch.h
 - backupfile.c
 - backupfile.h
 - basename.c
 - dirname.c
 - error.c
 - error.h
 - execlp.c
 - fileblocks.c
 - fnmatch.c
 - fnmatch.h
 - ftruncate.c
 - getdate.c
 - getdate.h

- getdate.y
- getopt.c
- getopt.h
- getopt1.c
- getpagesize.h
- getversion.c
- gmalloc.c
- memset.c
- mkdir.c
- modechange.c
- modechange.h
- msleep.c
- pathmax.h
- rename.c
- rmdir.c
- stpcpy.c
- strstr.c
- xgetcwd.c
- xmalloc.c
- xstrdup.c

- missing

- mkinstalldirs

- po

- ChangeLog
- Makefile.in.in
- POTFILES.in
- cat-id-tbl.c
- de.gmo
- de.po
- fr.gmo
- fr.po
- it.gmo
- it.po
- ko.gmo
- ko.po
- nl.gmo
- nl.po
- no.gmo
- no.po
- pl.gmo
- pl.po
- pt.gmo
- pt.po
- sl.gmo
- sl.po
- stamp-cat-id
- sv.gmo
- sv.po
- tar.pot

- rebox.el

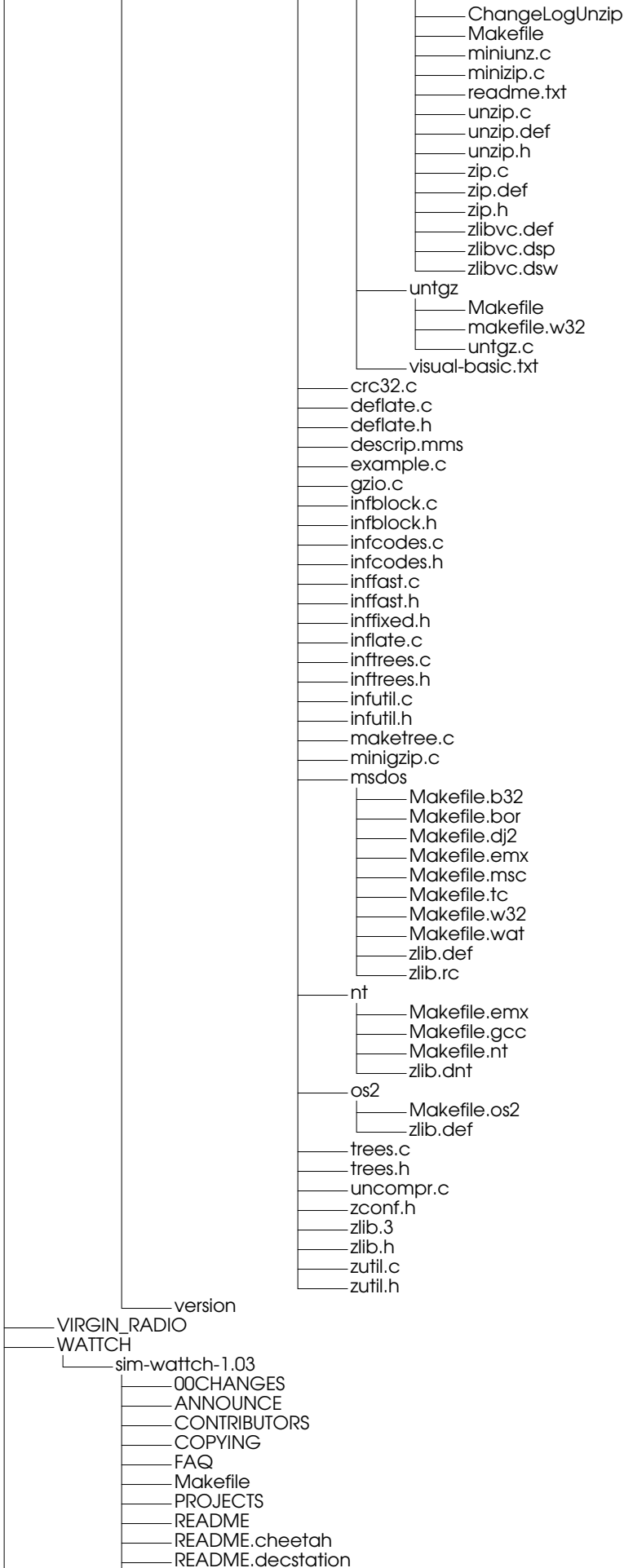
- scripts

- ChangeLog
- Makefile.am
- Makefile.in
- WARNING
- backup-specs
- dump-remind
- level-0
- level-1
- weekly.new

- src

- ChangeLog
- Makefile.am
- Makefile.in
- ansi2knr.1
- ansi2knr.c
- arith.c
- arith.h
- buffer.c
- common.h
- compare.c
- create.c
- delete.c
- extract.c
- incremen.c
- list.c
- mangle.c
- misc.c
- names.c
- open3.c

- rmt.c
- rmt.h
- rtapelib.c
- system.h
- tar.c
- tar.h
- update.c
- stamp-h.in
- tests
 - ChangeLog
 - Makefile.am
 - Makefile.in
 - after
 - append.sh
 - before
 - delete01.sh
 - delete02.sh
 - extrac01.sh
 - extrac02.sh
 - extrac03.sh
 - genfile.c
 - gzip.sh
 - ignfail.sh
 - incremen.sh
 - old.sh
 - preset.in
 - version.sh
 - volume.sh
- zlib-1.1.3
 - ChangeLog
 - FAQ
 - INDEX
 - Make_vms.com
 - Makefile
 - Makefile.in
 - Makefile.riscos
 - README
 - Adler32.c
 - algorithm.txt
 - amiga
 - Makefile.pup
 - Makefile.sas
 - compress.c
 - configure
 - contrib
 - README.contrib
 - asm386
 - gvmat32.asm
 - gvmat32c.c
 - mkgvmt32.bat
 - zlibvc.def
 - zlibvc.dsp
 - zlibvc.dsw
 - asm586
 - README.586
 - match.S
 - asm686
 - README.686
 - match.S
 - delphi
 - zlib.mak
 - zlibdef.pas
 - delphi2
 - d_zlib.bpr
 - d_zlib.cpp
 - readme.txt
 - zlib.bpg
 - zlib.bpr
 - zlib.cpp
 - zlib.pas
 - zlib32.bpr
 - zlib32.cpp
 - iostream
 - test.cpp
 - zfstream.cpp
 - zfstream.h
 - iostream2
 - zstream.h
 - zstream_test.cpp
 - minizip



- README.eio
- README.hpux
- README.linux-alpha
- README.port
- README.retargt
- README.sim-inorder
- README.wattch
- README.winnt
- TODO
- WARRANTY
- alpha.cfg
- bitmap.h
- bpred.c
- bpred.h
- bpred.o
- cache.c
- cache.h
- cache.o
- cacti
 - Makefile
 - def.h
 - io
 - io.c
 - io.o
 - libcacti.a
 - main
 - main.c
 - main.o
 - sysprobe → ../sysprobe
 - time.c
 - time.o
- cant
 - HowToRun
 - MyFilingInfo
 - P6test1.c
 - P6test1.out
 - P6test1.sim
 - P6test1_arch.cfg
 - WhereToFindWattch
 - test1.c
 - test1.out
 - test1.sim
 - test1_arch.cfg
 - test2.c
 - test2.out
 - test2.sim
 - test2_arch.cfg
 - test3.c
 - test3.out
 - test3.sim
 - test3_arch.cfg
- config
 - default.cfg
 - regress.cfg
 - relax.cfg
- config.h → target-alpha/config.h
- contrib
 - klauser.config
 - skadron.furecover
 - skadron.noDcache
 - skadron.noI-cache
 - skadron.perfcache
 - skadron.scheduler
 - skadron.unifiedTLB
- dlite.c
- dlite.h
- dlite.o
- eio.c
- eio.h
- eio.o
- endian.c
- endian.h
- endian.o
- ev56-bwx.diff
- eval.c
- eval.h
- eval.o
- eventq.c
- eventq.h
- hack_guide.pdf

- hack_guide.ps
- host.h
- libcheetah
 - COPYRIGHT
 - MODS
 - Makefile
 - README
 - VERSION
 - cheetah.1
 - dmv1.c
 - faclru.c
 - facopt.c
 - libcheetah.c
 - libcheetah.h
 - ppop.c
 - saclru.c
 - sacopt.c
 - util.c
 - util.h
- libexo
 - FOO.exo
 - FOO.exo.gz
 - FOO1.exo
 - FOOBAR.exo
 - FOOBAR1.exo
 - Makefile
 - exo-test.c
 - exolex.c
 - exolex.l
 - exolex.o
 - libexo.a
 - libexo.c
 - libexo.h
 - libexo.o
 - sysprobe → ../sysprobe
- loader.c → target-alpha/loader.c
- loader.h
- loader.o
- machine.c → target-alpha/alpha.c
- machine.def → target-alpha/alpha.def
- machine.h → target-alpha/alpha.h
- machine.o
- main.c
- main.o
- memory.c
- memory.h
- memory.o
- misc.c
- misc.h
- misc.o
- options.c
- options.h
- options.o
- pipeview.pl
- power.c
- power.h
- power.o
- ptrace.c
- ptrace.h
- ptrace.o
- range.c
- range.h
- range.o
- redir.bash
- redir.sh
- regs.c
- regs.h
- regs.o
- resource.c
- resource.h
- resource.o
- sim-bpred.c
- sim-cache.c
- sim-cheetah.c
- sim-eio.c
- sim-fast
- sim-fast.c
- sim-fast.o
- sim-outorder.INTEL
- sim-outorder.SUN4u

```

— sim-outorder.c
— sim-outorder.o
— sim-profile.c
— sim-safe.c
— sim.h
— stats.c
— stats.h
— stats.o
— symbol.c → target-alpha/symbol.c
— symbol.h
— symbol.o
— syscall.c → target-alpha/syscall.c
— syscall.h
— syscall.o
— sysprobe
— sysprobe.c
— target-alpha
  — alpha.c
  — alpha.def
  — alpha.h
  — config.h
  — ecoff.h
  — loader.c
  — symbol.c
  — syscall.c
— target-pisa
  — config.h
  — configbig.h
  — configlit.h
  — ecoff.h
  — loader.c
  — pisa.c
  — pisa.def
  — pisa.h
  — symbol.c
  — syscall.c
— tests
  — Makefile
  — bin
    — anagram
    — test-args
    — test-fmath
    — test-llong
    — test-lswlr
    — test-math
    — test-printf
  — eio
    — anagram.eio
    — test-fmath.eio
    — test-llong.eio
    — test-lswlr.eio
    — test-math.eio
    — test-printf.eio
  — inputs
    — input.txt
    — words
  — outputs
    — anagram.progout
    — anagram.simout
    — test-fmath.progout
    — test-fmath.simout
    — test-llong.progout
    — test-llong.simout
    — test-lswlr.progout
    — test-lswlr.simout
    — test-math.progout
    — test-math.simout
    — test-printf.progout
    — test-printf.simout
  — results/
  — src
    — Makefile
    — anagram.c
    — test-fmath.c
    — test-llong.c
    — test-lswlr.c
    — test-math.c
    — test-printf.c
  — tests-alpha → tests-alpha
— tests-alpha

```

```

Makefile
bin
  anagram
  test-args
  test-dirent
  test-fmath
  test-llong
  test-lswlr
  test-math
  test-printf
eio
  anagram.eio
  test-fmath.eio
  test-llong.eio
  test-lswlr.eio
  test-math.eio
  test-printf.eio
inputs
  input.txt
  words
outputs
  anagram.progout
  anagram.simout
  test-fmath.progout
  test-fmath.simout
  test-llong.progout
  test-llong.simout
  test-lswlr.progout
  test-lswlr.simout
  test-math.progout
  test-math.simout
  test-printf.progout
  test-printf.simout
results/
src
  Makefile
  anagram.c
  test-dirent.c
  test-fmath.c
  test-llong.c
  test-lswlr.c
  test-math.c
  test-printf.c
sysprobe -> ../sysprobe
tests-pisa
  Makefile
  bin.big
    Makefile
    anagram
    test-fmath
    test-llong
    test-lswlr
    test-math
    test-printf
  bin.little
    Makefile
    anagram
    test-fmath
    test-llong
    test-lswlr
    test-math
    test-printf
  eio.big
    anagram.eio
    test-fmath.eio
    test-llong.eio
    test-lswlr.eio
    test-math.eio
    test-printf.eio
  eio.little
    anagram.eio
    test-fmath.eio
    test-llong.eio
    test-lswlr.eio
    test-math.eio
    test-printf.eio
  inputs
    input.txt
    words
  outputs

```


- index-4.html
- index-5.html
- index-6.html
- index.html
- index.shtml
- main.c
- main.o
- templates
 - cpp_template
 - header_template
- cantkde.kdevprj
- cantkde.kdevses
- cantkde.lsm
- config.cache
- config.guess
- config.h
- config.h.in
- config.log
- config.status
- config.sub
- configure
- configure.in
- configure.in.no_shlib
- install-sh
- libtool
- libtool.m4.in
- ltconfig
- ltmain.sh
- missing
- mkinstalldirs
- special.m4.in
- stamp-h
- stamp-h.in
- canturk_dump → /canturk_dump
- canturkmicro.pdf
- canturkmicro.pdf.BAK
- castle
 - CantModifications
 - CastlePresentation3.pdf
 - castle
 - HOWTORUN_CANT
 - bin
 - cpu-probe
 - probe-server
 - run_bench
 - xmmeter
 - cpu-probe
 - Makefile
 - PowerThermal_ver1
 - Makefile
 - blank-graph.xpm
 - cpu-monitor.c
 - cpu-monitor.c~
 - cpu-monitor.o
 - cpu-monitor.orig
 - cpu-monitor.prnt
 - cpu-monitor.with-thermal.ver1
 - cpu-network.c
 - cpu-network.c~
 - cpu-network.o
 - cpu-network.orig
 - cpu-network.prnt
 - cpu-network.with-thermal.ver1
 - cpu-probe
 - monitor-old.xpm
 - monitor.xpm
 - PowerThermal_ver2
 - .kdbgrc.cpu-probe
 - Makefile
 - blank-graph.xpm
 - cpu-monitor.c
 - cpu-monitor.c~
 - cpu-monitor.o
 - cpu-monitor.orig
 - cpu-monitor.prnt
 - cpu-monitor.with-thermal.ver1
 - cpu-network.bak
 - cpu-network.bakup
 - cpu-network.c
 - cpu-network.c~

- cpu-network.o
- cpu-network.orig
- cpu-network.with-thermal.ver1
- cpu-probe
- monitor-old.xpm
- monitor.xpm
- blank-graph.xpm
- cpu-monitor.c
- cpu-monitor.c~
- cpu-monitor.o
- cpu-monitor.orig
- cpu-monitor.prnt
- cpu-monitor.with-thermal.ver1
- cpu-network.c
- cpu-network.c~
- cpu-network.o
- cpu-network.orig
- cpu-network.prnt
- cpu-network.with-thermal.ver1
- cpu-probe
- monitor-old.xpm
- monitor.xpm
- gps
 - Buildings.txt
 - CalibrationPoint.java
 - Coords.java
 - Dijkstra.class
 - Dijkstra.java
 - Edge.class
 - GPS.java
 - GPSStrng.java
 - KDNode.class
 - KDTree.class
 - KDTree.java
 - Main.java
 - Node.class
 - PUSHPIN.GIF
 - PointSet.class
 - PointSet.java
 - ScrollDemo.class
 - ThRcvTask.java
 - campus.gif
 - campus_eighth.gif
 - campus_half.gif
 - campus_quarter.gif
 - campus_sixteenth.gif
 - data2.obj
 - jp.zip
- include
 - event.h
- probe-server
 - Makefile
 - probe-server
 - probe-server.BAK
 - probe-server.c
 - probe-server.prnt
- xmmeter
 - Makefile
 - Makefile~
 - big-panel-digits.xpm
 - panel-old.xpm
 - panel.xpm
 - small-panel-digits.xpm
 - xmmeter
 - xmmeter-bak.c
 - xmmeter.c
 - xmmeter.c~
 - xmmeter2
 - Makefile
 - big-panel-digits.xpm
 - panel-old.xpm
 - panel.xpm
 - small-panel-digits.xpm
 - xmmeter
 - xmmeter.c
- castle.tgz
- castle_user_files.abw
- fork.c
- fork.orig
- pentiumsecrets_byte.htm

- sched.c
- sched.h
- sched.h.orig
- sched.orig
- sched.prnt
- circuit_city.confirmation
- downloads
 - .nautilus-metafile.xml
 - HattrickPoli401.exe
 - Jumpdrive 1.0.exe
 - Kyaka.JPG
 - acrobat
 - COMMON.TAR
 - INSTALL
 - LICREAD.TXT
 - LINUXRDR.TAR
 - README
 - linux-506.tar.gz
 - arm-linux-cross-3.0.tar.bz2
 - camtasia.exe
 - figlet221.tar.gz
 - flash_linux
 - README
 - ReadMe.htm
 - ShockwaveFlash.class
 - libflashplayer.so
 - flash_linux.tar.gz
 - gnupoker-0.1.2-pre9.tar
 - gzip-1.2.4
 - COPYING
 - ChangeLog
 - INSTALL
 - Makefile
 - Makefile.in
 - NEWS
 - README
 - THANKS
 - TODO
 - algorithm.doc
 - amiga
 - Makefile.gcc
 - Makefile.sasc
 - match.a
 - tailor.c
 - utime.h
 - atari
 - Makefile.st
 - bits.c
 - config.status
 - configure
 - configure.in
 - crypt.c
 - crypt.h
 - deflate.c
 - getopt.c
 - getopt.h
 - gpl.texinfo
 - gzexe.1
 - gzexe.in
 - gzip.1
 - gzip.c
 - gzip.doc
 - gzip.h
 - gzip.info
 - gzip.texti
 - inflate.c
 - lzw.c
 - lzw.h
 - match.S
 - msdos
 - Makefile.bor
 - Makefile.djg
 - Makefile.msc
 - doturboc.bat
 - gzip.prj
 - match.asm
 - tailor.c
 - nt
 - Makefile.nt
 - os2

- Makefile.os2
- gzip.def
- gzip16.def
- primos
 - build.cpl
 - ci.opts
 - include
 - errno.h
 - fcntl.h
 - stdlib.h
 - sysStat.h
 - sysTypes.h
 - primos.c
 - readme
- revision.h
- sample
 - add.c
 - makecrc.c
 - sub.c
 - zfile
 - zread.c
 - ztouch
- tailor.h
- texinfo.tex
- trees.c
- unlzh.c
- unlzw.c
- unpack.c
- unzip.c
- util.c
- vms
 - Makefile.gcc
 - Makefile.mms
 - Makefile.vms
 - Readme.vms
 - gzip.hlp
 - makegzip.com
 - vms.c
- zdiff.1
- zdiff.in
- zforce.1
- zforce.in
- zgrep.1
- zgrep.in
- zip.c
- zmore.1
- zmore.in
- znew.1
- znew.in
- gzip-1.2.4.tar
- hsr.exe
- install_flash_player_6_linux
 - ReadMe.htm
 - flashplayer-installer
 - flashplayer.xpt
 - libflashplayer.so
 - readme.txt
- install_flash_player_6_linux.tar
- jgraph.shar.Z
- linux/
- linux-2.2.16.tar
- mgetty
 - 3b1.html
 - AIX.html
 - BSD.html
 - Best14496EC.html
 - Caller-ID.html
 - Class_1.html
 - Common.html
 - Convert.html
 - Copying.html
 - Dallas.html
 - Deny.html
 - Devices.html
 - Direct.html
 - Elink-ISDN.html
 - Everex.html
 - Exar.html
 - Fax-Tools.html
 - Fax.html

- GVC.html
- General.html
- How.html
- ISC.html
- Inittab.html
- Install.html
- Interaction.html
- Intro.html
- Linux.html
- Locks.html
- Logs.html
- Modems.html
- MultiTech.html
- Overview.html
- Polling.html
- Problems.html
- Queuing.html
- Receiving.html
- Rockwell.html
- SCO-322.html
- SCO-324.html
- SVR4.html
- SVR42.html
- Scanner.html
- Sending.html
- SunOS.html
- Supported.html
- Systems.html
- Telekom.html
- TelelinkIMS08.html
- Thanks.html
- Top.html
- Tornado.html
- Zoltrix.html
- Zoom-vfast.html
- Zyxel.html
- creatix.html
- ecu.html
- ftp.html
- get-uucp.html
- log-mgetty-data.html
- log-mgetty-fax.html
- log-mgetty-syslog.html
- log-sendfax.html
- logfiles.html
- mgetty.html
- pbmtog3.html
- vbugs.html
- vfeatures.html
- vinstall.html
- vint.html
- vintro.html
- vneed.html
- voice.html
- vpconnect.html
- vpfax.html
- vpmisc.html
- vpnoise.html
- vusage.html
- vutils.html
- mplayer-0.90pre10-1.i386.rpm
- mplayer-common-0.90pre10-1.i386.rpm
- mplayer-common-0.90pre10-1.i386.rpmbak
- mplayer-font-iso1-1.0-1.noarch.rpm
- opera-7.11-20030515.1-static-qt.i386.rpm
- pdf2html-1.2
 - CHANGELOG
 - INSTALL
 - Makefile
 - README
 - VERSION
 - idx.png
 - left.png
 - pbm2png
 - pbm2png.c
 - pdf2eps9
 - pdf2html
 - pgm2eps9.c
 - pgm2eps9.o
 - printer.c

- printer.h
- right.png
- pdf2html-1.2.tgz
- peertopeer.htm
- pkgconfig-0.12.0
 - AUTHORS
 - COPYING
 - ChangeLog
 - INSTALL
 - Makefile.am
 - Makefile.in
 - NEWS
 - README
 - README.win32
 - acconfig.h
 - aclocal.m4
 - config.guess
 - config.h.in
 - config.sub
 - configure
 - configure.in
 - findme.c
 - findme.h
 - glib-1.2.8
 - AUTHORS
 - COPYING
 - ChangeLog
 - INSTALL
 - Makefile.am
 - Makefile.in
 - NEWS
 - README
 - README.win32
 - acconfig.h
 - acglib.m4
 - acinclude.m4
 - aclocal.m4
 - config.guess
 - config.h.in
 - config.h.win32
 - config.h.win32.in
 - config.sub
 - configure
 - configure.in
 - docs
 - Makefile.am
 - Makefile.in
 - glib-config.1.in
 - glib.html
 - glib_toc.html
 - texinfo.tex
 - garray.c
 - gcache.c
 - gcompletion.c
 - gdataset.c
 - gdate.c
 - gerror.c
 - ghash.c
 - ghook.c
 - giochannel.c
 - giounix.c
 - giowin32.c
 - glib-config.in
 - glib.def
 - glib.h
 - glib.m4
 - glib.spec
 - glib.spec.in
 - glibconfig.h.win32
 - glibconfig.h.win32.in
 - glist.c
 - gmain.c
 - gmem.c
 - gmessages.c
 - gmodule
 - AUTHORS
 - COPYING
 - ChangeLog
 - Makefile.am
 - Makefile.in

- _____gmodule-dl.c
- _____gmodule-dld.c
- _____gmodule-win32.c
- _____gmodule.c
- _____gmodule.def
- _____gmodule.h
- _____gmoduleconf.h.in
- _____gmoduleconf.h.win32
- _____libgplugin_a.c
- _____libgplugin_b.c
- _____testgmodule.c
- _____gmutex.c
- _____gnode.c
- _____gprimes.c
- _____grel.c
- _____gscanner.c
- _____gslis.c
- _____gstrfuncs.c
- _____gstring.c
- _____gthread
 - _____ChangeLog
 - _____Makefile.am
 - _____Makefile.in
 - _____gthread-none.c
 - _____gthread-nspr.c
 - _____gthread-posix.c
 - _____gthread-solaris.c
 - _____gthread.c
 - _____gthread.def
 - _____testgthread.c
- _____gtimer.c
- _____gtree.c
- _____gutils.c
- _____install-sh
- _____ltconfig
- _____ltmain.sh
- _____makefile.msc
- _____makefile.msc.in
- _____missing
- _____mkinstalldirs
- _____sanity_check
- _____stamp-h.in
- _____testgdate.c
- _____testgdateparser.c
- _____testglib.c
- _____tests
 - _____Makefile.am
 - _____Makefile.in
 - _____array-test.c
 - _____dirname-test.c
 - _____hash-test.c
 - _____list-test.c
 - _____makefile.msc
 - _____makefile.msc.in
 - _____node-test.c
 - _____relation-test.c
 - _____slist-test.c
 - _____strfunc-test.c
 - _____string-test.c
 - _____tree-test.c
 - _____type-test.c
- _____install-sh
- _____ltmain.sh
- _____main.c
- _____missing
- _____mkinstalldirs
- _____parse.c
- _____parse.h
- _____partial-glib.c
- _____partial-glib.h
- _____pkg-config.1
- _____pkg.c
- _____pkg.h
- _____pkg.m4
- _____popt.c
- _____popt.h
- _____poptconfig.c
- _____popthelp.c
- _____poptint.h
- _____poptparse.c

- stamp-h.in
- pkgconfig-0.12.0.tar.gz
- plotutils-2.4.1
 - AUTHORS
 - COMPAT
 - COPYING
 - ChangeLog
 - INSTALL
 - INSTALL.fonts
 - INSTALL.pkg
 - KNOWN_BUGS
 - Makefile
 - Makefile.am
 - Makefile.in
 - NEWS
 - ONEWS
 - PROBLEMS
 - README
 - THANKS
 - TODO
 - acconfig.h
 - aclocal.m4
 - config.cache
 - config.guess
 - config.h
 - config.h.in
 - config.log
 - config.status
 - config.sub
 - configure
 - configure.in
 - doc
 - Makefile
 - Makefile.am
 - Makefile.in
 - README
 - colors.txt
 - demo-page
 - h-demo.c
 - h-fonts.doc
 - h-glyphs.doc
 - hershey.bib
 - kana.doc
 - kanji.doc
 - double
 - Makefile
 - Makefile.am
 - Makefile.in
 - README
 - double.c
 - fonts
 - Makefile
 - Makefile.am
 - Makefile.in
 - README
 - bdf
 - Makefile
 - Makefile.am
 - Makefile.in
 - tekfont0.bdf
 - tekfont1.bdf
 - tekfont2.bdf
 - tekfont3.bdf
 - fonts.append
 - fonts2.append
 - fonts3.append
 - pcf
 - Makefile
 - Makefile.am
 - Makefile.in
 - tekfont0.pcf
 - tekfont1.pcf
 - tekfont2.pcf
 - tekfont3.pcf
 - pfb
 - Makefile
 - Makefile.am
 - Makefile.in
 - a010013l.pfb
 - a010015l.pfb

- a0100331.pfb
- a0100351.pfb
- b0180121.pfb
- b0180151.pfb
- b0180321.pfb
- b0180351.pfb
- c0590131.pfb
- c0590161.pfb
- c0590331.pfb
- c0590361.pfb
- d0500001.pfb
- n0190031.pfb
- n0190041.pfb
- n0190231.pfb
- n0190241.pfb
- n0190431.pfb
- n0190441.pfb
- n0190631.pfb
- n0190641.pfb
- n0210031.pfb
- n0210041.pfb
- n0210231.pfb
- n0210241.pfb
- n0220031.pfb
- n0220041.pfb
- n0220231.pfb
- n0220241.pfb
- p0520031.pfb
- p0520041.pfb
- p0520231.pfb
- p0520241.pfb
- s0500001.pfb
- z0030341.pfb
- u_fonts.c
- graph
 - Makefile
 - Makefile.am
 - Makefile.in
 - extern.h
 - graph.c
 - linemode.c
 - misc.c
 - plotter.c
 - reader.c
- include
 - Makefile
 - Makefile.am
 - Makefile.in
 - getopt.h
 - plot.h
 - plotcompat.h
 - plotter.h
 - sys-defines.h
- info
 - Makefile
 - Makefile.am
 - Makefile.in
 - mdate-sh
 - ode.1
 - plot.1
 - plotfont.1
 - plotutils.info
 - plotutils.texti
 - spline.1
 - tek2plot.1
 - texinfo.tex
- install-sh
- lib
 - Makefile
 - Makefile.am
 - Makefile.in
 - README
 - alloca.c
 - compat.c
 - display.c
 - fontlist.c
 - getopt.c
 - getopt1.c
 - xmalloc.c
 - xstrdup.c

libplot

- _____ COPYING
- _____ DEDICATION
- _____ HUMOR
- _____ Makefile
- _____ Makefile.am
- _____ Makefile.in
- _____ README
- _____ README-cgm
- _____ README-gif
- _____ README-hpgl
- _____ README-tek
- _____ VERSION
- _____ a_attribs.c
- _____ a_closepl.c
- _____ a_color.c
- _____ a_defplot.c
- _____ a_erase.c
- _____ a_openpl.c
- _____ a_path.c
- _____ a_point.c
- _____ a_text.c
- _____ apinewc.c
- _____ apioldc.c
- _____ apioldcc.c
- _____ b_closepl.c
- _____ b_defplot.c
- _____ b_erase.c
- _____ b_openpl.c
- _____ b_path.c
- _____ b_point.c
- _____ c_attribs.c
- _____ c_closepl.c
- _____ c_color.c
- _____ c_defplot.c
- _____ c_emit.c
- _____ c_erase.c
- _____ c_mark.c
- _____ c_openpl.c
- _____ c_path.c
- _____ c_point.c
- _____ c_text.c
- _____ extern.h
- _____ f_closepl.c
- _____ f_color.c
- _____ f_color2.c
- _____ f_defplot.c
- _____ f_erase.c
- _____ f_openpl.c
- _____ f_path.c
- _____ f_point.c
- _____ f_retrieve.c
- _____ f_text.c
- _____ g_affine.c
- _____ g_alab_her.c
- _____ g_alabel.c
- _____ g_arc.c
- _____ g_arc.h
- _____ g_attrib.c
- _____ g_bez.c
- _____ g_box.c
- _____ g_circ.c
- _____ g_clipper.c
- _____ g_closepl.c
- _____ g_cntrlify.c
- _____ g_cntrlify.h
- _____ g_colorname.h
- _____ g_colors.c
- _____ g_control.h
- _____ g_dash.c
- _____ g_dash2.c
- _____ g_defplot.c
- _____ g_defstate.c
- _____ g_ellipse.c
- _____ g_endpath.c
- _____ g_erase.c
- _____ g_error.c
- _____ g_flushpl.c
- _____ g_font.c
- _____ g_fontd2.c

g_fontdb.c
g_havecap.c
g_her_glyph.c
g_her_metr.h
g_integer.c
g_jis.h
g_line.c
g_linewidth.c
g_mark.c
g_matrix.c
g_miscmi.c
g_move.c
g_openpl.c
g_outbuf.c
g_outfile.c
g_pagetype.c
g_pagetype.h
g_param.c
g_param2.c
g_path.c
g_pentype.c
g_point.c
g_range.c
g_relative.c
g_retrieve.c
g_savestate.c
g_space.c
g_subpaths.c
g_vector.c
g_version.c
g_write.c
g_xmalloc.c
g_xstring.c
h_attribs.c
h_closepl.c
h_color.c
h_defplot.c
h_erase.c
h_font.c
h_openpl.c
h_path.c
h_point.c
h_roman8.h
h_text.c
i_closepl.c
i_color.c
i_defplot.c
i_erase.c
i_openpl.c
i_path.c
i_point.c
i_rle.c
i_rle.h
m_attribs.c
m_closepl.c
m_defplot.c
m_emit.c
m_erase.c
m_mark.c
m_openpl.c
m_path.c
m_point.c
m_text.c
n_defplot.c
n_write.c
p_closepl.c
p_color.c
p_color2.c
p_defplot.c
p_erase.c
p_header.h
p_openpl.c
p_path.c
p_point.c
p_text.c
r_attribs.c
r_closepl.c
r_color.c
r_defplot.c
r_erase.c

- r_openpl.c
- r_path.c
- r_point.c
- s_closepl.c
- s_color.c
- s_defplot.c
- s_erase.c
- s_openpl.c
- s_path.c
- s_point.c
- s_text.c
- t_attribs.c
- t_closepl.c
- t_color.c
- t_color2.c
- t_defplot.c
- t_erase.c
- t_openpl.c
- t_path.c
- t_point.c
- t_tek_md.c
- t_tek_mv.c
- t_tek_vec.c
- x_attribs.c
- x_closepl.c
- x_color.c
- x_defplot.c
- x_erase.c
- x_flushpl.c
- x_openpl.c
- x_path.c
- x_point.c
- x_retrieve.c
- x_savestate.c
- x_text.c
- y_closepl.c
- y_defplot.c
- y_erase.c
- y_openpl.c
- z_defplot.c
- z_write.c
- libplotter
 - Makefile
 - Makefile.am
 - Makefile.in
 - README
- libtool
- libxmi
 - AUTHORS
 - COPYING
 - CUSTOMIZE
 - ChangeLog
 - INSTALL
 - Makefile
 - Makefile.am
 - Makefile.in
 - NEWS
 - README
 - README-X
 - TODO
 - VERSION
 - config.guess
 - config.sub
 - configure
 - configure.in
 - drawing.c
 - extern.h
 - info
 - Makefile
 - Makefile.am
 - Makefile.in
 - libxmi.info
 - libxmi.texi
 - mdate-sh
 - texinfo.tex
 - install-sh
 - ltconfig
 - ltmain.sh
 - mi_alloc.c
 - mi_api.c

- mi_api.h
- mi_arc.c
- mi_arc.h
- mi_canvas.c
- mi_fillarc.c
- mi_fillarc.h
- mi_fillrct.c
- mi_fply.h
- mi_fplycon.c
- mi_gc.c
- mi_gc.h
- mi_line.h
- mi_ply.c
- mi_ply.h
- mi_plycon.c
- mi_plygen.c
- mi_plypnt.c
- mi_plyutil.c
- mi_scanfill.h
- mi_spans.c
- mi_spans.h
- mi_version.c
- mi_widelin.c
- mi_widelin.h
- mi_zerarc.c
- mi_zerarc.h
- mi_zerolin.c
- missing
- mkinstalldirs
- sys-defines.h
- xmi.h
- ltconfig
- ltmain.sh
- missing
- mkinstalldirs
- ode
 - INTERNALS
 - Makefile
 - Makefile.am
 - Makefile.in
 - README
 - am.c
 - ama.c
 - bessell.c
 - eu.c
 - expr.c
 - extern.h
 - float.c
 - global.c
 - gram.c
 - gram.h
 - gram.y
 - lex.c
 - lex.l
 - main.c
 - misc.c
 - num.h
 - ode.h
 - prt.c
 - rk.c
 - rka.c
 - specfun.c
 - stperr.c
 - sym.c
 - yywrap.c
- ode-examples
 - Makefile
 - Makefile.am
 - Makefile.in
 - README
 - atwoods.ode
 - bead.ode
 - chem.ode
 - coupled.ode
 - ddho.ode
 - dynamo.ode
 - henon.ode
 - limitcycle.ode
 - lorenz.ode
 - lunar.sh

- orbit.ode
- population.ode
- qcd.ode
- rumor.ode
- soliton.ode
- viscous.ode
- pic2plot
 - Makefile
 - Makefile.am
 - Makefile.in
 - README
 - common.cc
 - common.h
 - doc
 - Makefile
 - Makefile.am
 - Makefile.in
 - README
 - macros.pic
 - pic0.ps
 - pic1.ps
 - picmacros.ps
 - gram.cc
 - gram.h
 - gram.yy
 - include
 - Makefile
 - Makefile.am
 - Makefile.in
 - cset.h
 - errarg.h
 - error.h
 - lib.h
 - position.h
 - ptable.h
 - stringclass.h
 - text.h
 - lex.cc
 - libgroff
 - Makefile
 - Makefile.am
 - Makefile.in
 - assert.cc
 - change_lf.cc
 - cset.cc
 - errarg.cc
 - error.cc
 - fatal.cc
 - filename.cc
 - illegal.cc
 - ifoa.cc
 - lf.cc
 - lineno.cc
 - progname.cc
 - ptable.cc
 - string.cc
 - strsave.cc
 - main.cc
 - object.cc
 - object.h
 - output.h
 - pic.h
 - plot.cc
- plot
 - Makefile
 - Makefile.am
 - Makefile.in
 - plot.c
- plotfont
 - Makefile
 - Makefile.am
 - Makefile.in
 - plotfont.c
- spline
 - Makefile
 - Makefile.am
 - Makefile.in
 - spline.c
- stamp-h
- stamp-h.in

```

tek2plot
├── Makefile
├── Makefile.am
├── Makefile.in
├── README
├── Tekparse.h
├── Tektable.c
├── tek2plot.c
├── teksamples
│   ├── Makefile
│   ├── Makefile.am
│   ├── Makefile.in
│   ├── README
│   ├── aitest.tek
│   ├── dmerc.tek
│   ├── fotest.tek
│   ├── imtesth.tek
│   ├── karney.tek
│   ├── ocpred.tek
│   ├── scale.tek
│   ├── skymap.tek
│   ├── skymap2.tek
│   └── usmap.tek
└── test
    ├── Makefile
    ├── Makefile.am
    ├── Makefile.in
    ├── README
    ├── graph.test
    ├── graph.xout
    ├── ode.test
    ├── ode.xout
    ├── pic2plot.test
    ├── pic2plot.xout
    ├── plot2cgm.test
    ├── plot2cgm.xout
    ├── plot2fig.test
    ├── plot2fig.xout
    ├── plot2hpgl.test
    ├── plot2hpgl.xout
    ├── plot2hpgl.yout
    ├── plot2pcl.test
    ├── plot2pcl.xout
    ├── plot2pcl.yout
    ├── plot2plot.test
    ├── plot2plot.xout
    ├── plot2ps.test
    ├── plot2ps.xout
    ├── plot2svg.test
    ├── plot2svg.xout
    ├── sample.pic
    ├── spline.test
    ├── spline.xout
    ├── tek2plot.test
    └── tek2plot.xout
plotutils-2.4.1.tar.gz
rar
├── Makefile
├── default.sfx
├── file_id.diz
├── license.txt
├── order.txt
├── rar
├── rar.txt
├── rar_faq.txt
├── rar_site.txt
├── rar_static
├── rarfiles.lst
├── readme.txt
├── register.txt
├── rereg.txt
├── technote.txt
├── unrar
└── whatsnew.txt
rarlinux-3.1.0.tar.gz
rhs-hwdiag-0.20-1.i386.rpm
rp8.linux20.libc6.i386.cs2.rpm
sillyPoker-0.25.5.tar.gz
spim.tar
wget-1.8.2-2.src.rpm

```

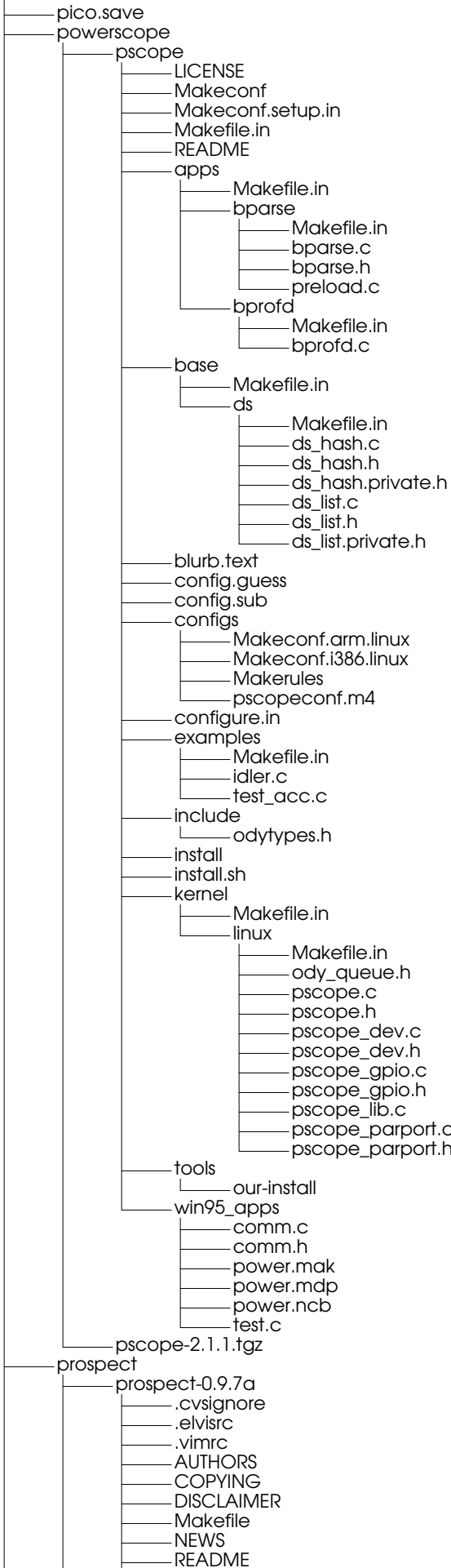
evolution

- addressbook-sources.xml
- cert7.db
- config.xmldb
- key3.db
- local
 - Calendar
 - folder-metadata.xml
 - Contacts
 - create-initial
 - folder-metadata.xml
 - Drafts
 - folder-metadata.xml
 - local-metadata.xml
 - mbox
 - Inbox
 - folder-metadata.xml
 - local-metadata.xml
 - mbox
 - mbox.ev-summary
 - mbox.ibex
 - Outbox
 - folder-metadata.xml
 - local-metadata.xml
 - mbox
 - Sent
 - folder-metadata.xml
 - local-metadata.xml
 - mbox
 - Tasks
 - folder-metadata.xml
 - Trash
 - folder-metadata.xml
- searches.xml
- secmod.db
- shortcuts.xml

figlet

- Artistic-license.txt
- CHANGES
- FAQ
- Makefile
- README
- chkfont
- chkfont.c
- crc.c
- crc.h
- figfont.txt
- figlet
- figlet.6
- figlet.c
- figlist
- figmagic
- fonts
 - 646-ca.flc
 - 646-ca2.flc
 - 646-cn.flc
 - 646-cu.flc
 - 646-de.flc
 - 646-ck.flc
 - 646-es.flc
 - 646-es2.flc
 - 646-fr.flc
 - 646-gb.flc
 - 646-hu.flc
 - 646-irv.flc
 - 646-it.flc
 - 646-jp.flc
 - 646-kr.flc
 - 646-no.flc
 - 646-no2.flc
 - 646-pt.flc
 - 646-pt2.flc
 - 646-se.flc
 - 646-se2.flc
 - 646-yu.flc
 - 8859-2.flc
 - 8859-3.flc
 - 8859-4.flc
 - 8859-5.flc
 - 8859-7.flc

- 8859-8.flc
- 8859-9.flc
- banner.flf
- big.flf
- block.flf
- bubble.flf
- digital.flf
- frango.flc
- hz.flc
- ilhebrew.flc
- ivrit.flf
- jis0201.flc
- koi8r.flc
- lean.flf
- mini.flf
- mnemonic.flf
- moscow.flc
- script.flf
- shadow.flf
- slant.flf
- small.flf
- smscript.flf
- smshadow.flf
- smslant.flf
- standard.flf
- term.flf
- upper.flc
- ushebrew.flc
- uskata.flc
- utf8.flc
- getopt.c
- inflate.c
- inflate.h
- showfigfonts
- zipio.c
- zipio.h
- four.html
- gv_3d3db275_1_kc07n5sj.pdf.tmp
- h_training_en.zip
- hattrick
- inek.asc
- intern.txt
- kernel
 - KERNEL_Howto
 - KERNEL_Howto.save
 - SYSCALL_list
 - exit_syscall.c
- kork.asc
- lock2.out
- low power
 - benchmarks
 - a.out
 - cpi.c
 - cpi.out
 - dcache.c
 - dcache.c~
 - dcache.out
 - maxpow.c
 - maxpow.c~
 - maxpow.out
 - compile
 - docs
 - reports
 - WS_FTP.LOG
 - description.txt
 - projectreport1.doc
 - projectreport3.doc
 - pcl_2.0.tar
- mail
 - saved-messages
 - sent-mail
- myperl.pl
- nike_ace83_whitepink.jpg
- nsmail/
- paper_reviews
 - HPCA78_reviewTHIS_2003.pdf
 - HPCA_Paper78_Review.txt
 - PACT03_review.doc
 - uli_kremer_PACT2003.ps
- phones.txt



- README.INSTALL
- README.ia64
- bench
 - .cvsignore
 - .elvisrc
 - .vimrc
 - Makefile
 - pthread.c
 - qsort.c
 - runner.c
- dass_gdb
 - .cvsignore
 - .vimrc
 - Makefile
 - dass.c
 - dass.h
 - testprog.c
- debian
 - README.Debian
 - changelog
 - config
 - control
 - copyright
 - dirs
 - docs
 - postinst
 - postrm
 - prerm
 - rules
 - templates
- docs
 - .cvsignore
 - .elvisrc
 - .vimrc
 - coding_style
 - prospect.1
- dtree
 - .cvsignore
 - .elvisrc
 - .vimrc
 - Makefile
 - dtree.h
 - dtree_getnext.c
 - dtree_ins.c
 - dtree_malloc.c
 - dtree_private.h
 - dtree_test.c
- kern_supp
 - .vimrc
 - oprofile-0.5.4
 - COPYING
 - ChangeLog
 - ChangeLog-2001
 - ChangeLog-2002
 - Makefile.am
 - Makefile.in
 - README
 - TODO
 - alocal.m4
 - autogen.sh
 - config.guess
 - config.h.in
 - config.sub
 - configure
 - configure.in
 - dae
 - Makefile.am
 - Makefile.in
 - opd_image.c
 - opd_image.h
 - opd_kernel.c
 - opd_kernel.h
 - opd_mapping.c
 - opd_mapping.h
 - opd_parse_proc.c
 - opd_parse_proc.h
 - opd_printf.h
 - opd_proc.c
 - opd_proc.h
 - opd_sample_files.c

- opd_sample_files.h
- opd_stats.c
- opd_stats.h
- oprofiled.c
- p_module.h
- daemon
 - Makefile.am
 - Makefile.in
 - opd_cookie.h
 - opd_image.c
 - opd_image.h
 - opd_kernel.c
 - opd_kernel.h
 - opd_printf.h
 - opd_sample_files.c
 - opd_sample_files.h
 - opd_stats.c
 - opd_stats.h
 - oprofiled.c
 - p_module.h
- depcomp
- doc
 - Makefile.am
 - Makefile.in
 - oprofile.1
 - oprofile.1.in
 - oprofile.html
 - oprofile.xml
 - srcdoc
 - Doxyfile
 - Makefile
 - xsl
 - catalog-1.xml.in
 - xhtml-chunk.xsl
 - xhtml-common.xsl
 - xhtml.xsl
- events
 - Makefile.am
 - Makefile.in
 - alpha.ev4.events
 - alpha.ev4.unit_masks
 - alpha.ev5.events
 - alpha.ev5.unit_masks
 - alpha.ev6.events
 - alpha.ev6.unit_masks
 - alpha.ev67.events
 - alpha.ev67.unit_masks
 - alpha.pca56.events
 - alpha.pca56.unit_masks
 - i386.athlon.events
 - i386.athlon.unit_masks
 - i386.p4-ht.events
 - i386.p4-ht.unit_masks
 - i386.p4.events
 - i386.p4.unit_masks
 - i386.pii.events
 - i386.pii.unit_masks
 - i386.piii.events
 - i386.piii.unit_masks
 - i386.ppro.events
 - i386.ppro.unit_masks
 - ia64.ia64.events
 - ia64.ia64.unit_masks
 - ia64.itanium.events
 - ia64.itanium.unit_masks
 - ia64.itanium2.events
 - ia64.itanium2.unit_masks
 - rtc..events
 - rtc..unit_masks
 - x86-64.hammer.events
 - x86-64.hammer.unit_masks
- gui
 - Makefile.am
 - Makefile.in
 - oprof_start.cpp
 - oprof_start.h
 - oprof_start_config.cpp
 - oprof_start_config.h
 - oprof_start_main.cpp
 - oprof_start_util.cpp

- oprof_start_util.h
- persistent_config.h
- ui
 - Makefile.am
 - Makefile.in
 - oprof_start.base.ui
- include
 - sstream
- install-sh
- libabi
 - Makefile.am
 - Makefile.in
 - abi.cpp
 - abi.h
 - abi_test.cpp
 - op_abi.cpp
 - op_abi.h
 - op_import.cpp
- libdb
 - Makefile.am
 - Makefile.in
 - db_debug.c
 - db_insert.c
 - db_manage.c
 - db_stat.c
 - db_test.c
 - db_travel.c
 - odb_hash.h
- libop
 - Makefile.am
 - Makefile.in
 - op_config.h
 - op_config_24.h
 - op_config_25.h
 - op_cpu_type.c
 - op_cpu_type.h
 - op_events.c
 - op_events.h
 - op_get_interface.c
 - op_hw_config.h
 - op_interface.h
 - op_interface_25.h
 - op_mangle.c
 - op_mangle.h
 - op_sample_file.h
- libop++
 - Makefile.am
 - Makefile.in
 - op_mangling.cpp
 - op_mangling.h
 - op_print_event.cpp
 - op_print_event.h
- libopt++
 - Makefile.am
 - Makefile.in
 - popt_options.cpp
 - popt_options.h
- libregex
 - Makefile.am
 - Makefile.in
 - demangle_symbol.cpp
 - demangle_symbol.h
 - mangled-name.txt
 - op_regex.cpp
 - op_regex.h
 - regex_test.cpp
 - stl.pat.in
- libutil
 - Makefile.am
 - Makefile.in
 - op_cpufreq.c
 - op_cpufreq.h
 - op_deviceio.c
 - op_deviceio.h
 - op_file.c
 - op_file.h
 - op_fileio.c
 - op_fileio.h
 - op_get_time.c
 - op_get_time.h

- op_libiberty.c
- op_libiberty.h
- op_list.h
- op_lockfile.c
- op_lockfile.h
- op_popt.c
- op_popt.h
- op_string.c
- op_string.h
- op_types.h
- libutil++
 - Makefile.am
 - Makefile.in
 - child_reader.cpp
 - child_reader.h
 - cverb.cpp
 - cverb.h
 - file_manip.cpp
 - file_manip.h
 - filename_match.cpp
 - filename_match.h
 - op_bfd.cpp
 - op_bfd.h
 - op_exception.cpp
 - op_exception.h
 - string_manip.cpp
 - string_manip.h
 - utility.h
- m4
 - Makefile.am
 - Makefile.in
 - builtinexpect.m4
 - compileroption.m4
 - configmodule.m4
 - copyifchange.m4
 - docbook.m4
 - extradirs.m4
 - findkernel.m4
 - kerneloption.m4
 - kernelversion.m4
 - mallocattribute.m4
 - poptconst.m4
 - qt.m4
 - resultyn.m4
 - sstream.m4
 - typedef.m4
- missing
- minstalldirs
- module
 - Makefile.in
 - compat.c
 - compat.h
 - compat22.h
 - compat24.h
 - ia64
 - IA64entry.h
 - IA64minstate.h
 - IA64syscallstub.h
 - Makefile.in
 - cpu_type.c
 - op_ia64_model.h
 - op_pmu.c
 - op_syscalls.c
 - oprofile_stubs.S
 - op_cache.h
 - op_dcache.h
 - op_dname.c
 - op_init.c
 - op_util.c
 - op_util.h
 - oprofile.c
 - oprofile.h
 - x86
 - Makefile.in
 - apic_compat.h
 - cpu_type.c
 - hammer_entry.S
 - hammer_ia32entry.S
 - hammer_op_syscalls.c
 - hammer_oprofile_nmi.S

- op_apic.c
- op_apic.h
- op_arch.h
- op_fixmap.c
- op_model_athlon.c
- op_model_p4.c
- op_model_ppro.c
- op_msr.h
- op_nmi.c
- op_rtc.c
- op_syscalls.c
- op_x86_model.h
- oprofile_nmi.S
- pp
 - Makefile.am
 - Makefile.in
 - counter_array.cpp
 - counter_array.h
 - counter_profile.cpp
 - counter_profile.h
 - counter_util.cpp
 - counter_util.h
 - derive_files.cpp
 - derive_files.h
 - format_output.cpp
 - format_output.h
 - op_merge.cpp
 - op_time.cpp
 - op_time_options.cpp
 - op_time_options.h
 - op_to_source.cpp
 - op_to_source_options.cpp
 - op_to_source_options.h
 - opp_symbol.h
 - oprofpp.cpp
 - oprofpp_options.cpp
 - oprofpp_options.h
 - outsymbflag.h
 - profile.cpp
 - profile.h
 - profile_container.cpp
 - profile_container.h
 - sample_container_imp.cpp
 - sample_container_imp.h
 - session.cpp
 - session.h
 - symbol_container_imp.cpp
 - symbol_container_imp.h
 - symbol_functors.h
- utils
 - Makefile.am
 - Makefile.in
 - op_help.c
 - opcontrol
- version-1.h.in
- oprofile-0.5.4.tar.gz
- patches
 - oprofile-ia64_0.5.2-fix.patch
 - oprofile-ia64_0.5.2-no_sys_call_table.patch
 - oprofile-ia64_0.5.4-no_sys_call_table.patch
 - oprofile-ia64_0.5.x-perfmon-1.3.patch
 - perfmon-rhas-e25.diff
- patches.readme
- rhas-2.1.e.25_ia64-fixup.txt
- prospect
 - .cvsignore
 - .elvisrc
 - .vimrc
 - Makefile
 - app-perf.dtd
 - ascii_report.c
 - ascii_report.h
 - f_sym_name.c
 - f_sym_name.h
 - incache.c
 - incache.h
 - linux_model.c
 - linux_model.h
 - linux_module.c
 - linux_module.h

- malloc_debug.c
- malloc_debug.h
- opt_proc.c
- opt_proc.h
- prospect.c
- prospect.h
- rec_proc.c
- rec_proc.h
- version.h
- xml_report.c
- xml_report.h
- scripts
 - .elvisrc
 - .vimrc
 - mkdeb
 - mkdist
 - mkrpm
- test
 - syms_discrim
 - .cvsignore
 - .elvisrc
 - .vimrc
 - Makefile
 - checksyms.awk
 - checktime.awk
 - gen.c
 - syms.c
 - symstest.sh
- prospect_0.9.7a-1.tar.gz
- research
 - .nautilus-metafile.xml
 - .xvpics
 - castle_thermal.jpg
 - castle_thermalv2.jpg
 - castle_thermalv2_final_at_startup.jpg
 - AdvancedComputerArchitecture_bakup
 - COMPLEXITY EFFECTIVE SUPERSCALAR PROCESSORS.ppt
 - CAP slides
 - CAP2002
 - CAP2002slides.ppt
 - WS_FTP.LOG
 - power_temp.bmp
 - thermalmodel.bmp
 - thermalmodel.gif
 - thermalmodel2.bmp
 - CAP2003
 - 2003_05_01_080315_shot.jpg
 - 2003_05_05_152302_shot.jpg
 - CAP2003slides.ppt
 - MICRO_presentation_forXPv1.ppt
 - NEW THERMAL MODEL.doc
 - OLDEN_benchmarks
 - COPYRIGHT
 - README
 - bh
 - Makefile
 - README
 - args.c
 - code.h
 - defs.h
 - newbh.c
 - stdinc.h
 - stdio.h
 - util.c
 - vectmath.h
 - bisort
 - Makefile
 - README
 - args.c
 - bitonic.c
 - node.h
 - proc.h
 - swap.c
 - em3d
 - Makefile
 - README
 - args.c
 - em3d.c
 - em3d.h
 - main.c

- make_graph.c
- make_graph.h
- util.c
- util.h
- health
 - Makefile
 - README
 - args.c
 - health.c
 - health.h
 - list.c
 - poisson.c
- mst
 - Makefile
 - README
 - args.c
 - hash.c
 - hash.h
 - main.c
 - makegraph.c
 - mst.h
- perimeter
 - Makefile
 - README
 - args.c
 - main.c
 - maketree.c
 - perimeter.h
- power
 - Makefile
 - README
 - args.c
 - build.c
 - compute.c
 - main.c
 - power.h
- treeadd
 - Makefile
 - README
 - args.c
 - node.c
 - par-alloc.c
 - tree.h
- tsp
 - Makefile
 - README
 - args.c
 - build.c
 - main.c
 - tsp.c
 - tsp.h
- voronoi
 - Makefile
 - README
 - args.c
 - defines.h
 - newvor.c
 - output.c
 - vector.c
- ORAL_presentation
 - Area_based_model.jpg
 - BAK
 - LAPTOP_FINAL_VERSIONv5.ppt
 - LAPTOPdraftv5.ppt
 - LAPTOP_FINAL_VERSIONv5.ppt
 - LAPTOPdraftv4.ppt
 - NEW THERMAL MODEL.doc
 - PRES_gap_crafty.jpg
 - PRES_gcc_vpr.jpg
 - PRES_gzip_vpr_vortex.jpg
 - PRES_vortex_gap.jpg
 - PU_logo_sm.gif
 - PowerPlotter.jpg
 - Tuningv1_model.jpg
 - branch_bars.jpg
 - clear_puzzle.png
 - client_bar.gif
 - client_plot.gif
 - draft.ppt
 - draftv2.ppt

- draftv3.ppt
- draftv4.ppt
- draftv4.ppt.BAK
- ee_logo.gif
- p4_die.bmp
- p4_die.gif
- p4_die.tif
- perf_monitor.doc
- plotter.gif
- power_model.doc
- pu_bigshadow.gif
- real_power.doc
- sample1.ppt
- sample2.ppt
- thermal_model.doc

PAPERS

MICRO36_2003

- MICRO OUTLINE.doc
- MICRO REBUTTAL.doc
- MICRO REBUTTAL_FINAL.doc
- cameraready
 - Author_kit
 - Latex_stuff
 - Latex8.ps
 - Latex8.txt
 - MICRO_IEEE_CS_Latex.zip
 - latex8.bib
 - latex8.bst
 - latex8.sty
 - latex8.tex
 - macros
 - LaTeX%20macros.zip
 - floatsty.sty
 - ieeebib
 - ieeebst
 - ieeeclo
 - ieeecls
 - ieeeps
 - ieeetex
 - MICRO_FORMAT.DOC
 - MICRO_IEEE copyright.pdf
 - MICRO_IEEE_CS_Latex.zip
 - MICRO_instruct.doc
 - MICRO_instruct.pdf
 - MICRO_reprints.pdf
 - Micro_instructions.txt
 - isic_runtime.ps
- canturkMICRO_camready.pdf
- canturkMICRO_submitted.pdf
- rebuttal_draft.doc

WWC6_2003

- WWC OUTLINE.doc
- WWC OUTLINE.htm
- WWC OUTLINE_files
 - filelist.xml
 - image001.jpg
 - image002.jpg
 - image003.jpg
 - image004.jpg
 - image005.jpg
 - image006.jpg
 - image007.gif
 - image008.gif
 - image009.png
 - image010.jpg
 - image011.emz
 - image012.gif
 - image013.emz
 - image014.gif
 - image015.emz
 - image016.gif
 - image017.emz
 - image018.gif
 - image019.emz
 - image020.gif
 - image021.emz
 - image022.gif
 - image023.emz
 - image024.gif
 - image025.emz

- image026.gif
- image027.emz
- image028.gif
- image029.jpg
- image030.jpg
- image031.jpg
- image032.jpg
- image033.jpg
- image034.jpg
- image035.jpg
- image036.jpg
- image037.jpg
- image038.jpg
- image039.jpg
- image040.jpg
- image041.jpg
- image042.jpg
- image043.jpg
- image044.jpg
- image045.wmz
- image046.gif
- image047.wmz
- image048.gif
- image049.wmz
- image050.gif
- image051.emz
- image052.gif
- image053.emz
- image054.gif
- image055.wmz
- image056.gif
- image057.wmz
- image058.gif
- image059.emz
- image060.gif
- image061.emz
- image062.gif
- image063.emz
- image064.gif
- image065.emz
- image066.gif
- image067.emz
- image068.gif
- WWC6_reviews.txt
- WWC_Program.pdf
- WWCpresentation
 - 2003_10_09_155438_shot.jpg
 - 2003_10_15_161750_shot.jpg
 - 2003_10_16_040858_shot.jpg
 - 2003_10_16_120814_shot.jpg
 - GZIP_phase_groupsv2_000.1.jpg
 - GZIP_phase_groupsv2_001.0.jpg
 - GZIP_phase_groupsv2_005.0.jpg
 - GZIP_phase_groupsv2_010.0.jpg
 - GZIP_phase_groupsv2_020.0.jpg
 - GZIP_phase_groupsv2_030.0.jpg
 - GZIP_phase_groupsv2_050.0.jpg
 - GZIP_phase_groupsv2_070.0.jpg
 - GZIP_phase_groupsv2_100.0.jpg
 - GZIP_similarity_matrix_intersect.jpg
 - WWC_presentation_forXPv2.ppt
 - WWC_presentation_forXPv2_short.ppt
 - gcc_simmatrix.jpg
- canturkWWC_camready.pdf
- canturkWWC_submitted.pdf
- margins.pdf
- Thermal_100loops.pdf
- Thermal_100loops.ps
- Thermal_Initialvalues.ps
- Vice_Versa_pres1
 - Copy of VICE_VERSA1.ppt
 - SPEC_stats.xls
 - VICE_VERSA1.ppt
 - branch_L1dcache_powerbreakdowns.xls
 - gcc_similarity.doc
 - gzip_reconstructed.doc
 - gzip_similarity.doc
 - reconstructed.xls
 - rulogo.gif
- WWC_presentation.ppt

- WWC_presentation_for2000.ppt
- WWC_presentation_forXP.ppt
- WWC_presentation_forXP_BAK.ppt
- castle_thermal.jpg
- castle_thermalv2_after5hrs.jpg
- castle_thermalv2_final_at_startup.jpg
- docs
 - .nautilus-metafile.xml
 - .xpics
 - transistor_crossection.jpg
 - Agilent34401DMM.pdf
 - CASTLE_3-Sigmetrics2001_tutorial.pdf
 - ClampOnCurrentProbes.pdf
 - INTEL_documentation
 - .nautilus-metafile.xml
 - IA32_SoftwareDevelopersManual_vol1.pdf
 - IA32_SoftwareDevelopersManual_vol2.pdf
 - IA32_SoftwareDevelopersManual_vol2_NEW.pdf
 - IA32_SoftwareDevelopersManual_vol3.pdf
 - IA_OptimizationManual.pdf
 - ITJ
 - ITJ_Q1_2001_IntelEarlyChipDevelopment.pdf
 - ITJ_Q1_2001_Interconnect_and_NoiseForP4.pdf
 - ITJ_Q1_2001_ManagingPower.pdf
 - ITJ_Q1_2001_P4Microarchitecture.pdf
 - ITJ_Q1_2001_ValidatingP4.pdf
 - ITJ_Q3_2000_EvolutionPackaging.pdf
 - ITJ_Q3_2000_FlipChip.pdf
 - ITJ_Q3_2000_PackageLevelInterconnect.pdf
 - ITJ_Q3_2000_SimultaneousChipJoin_Assembly.pdf
 - ITJ_Q3_2000_ThermalChallengesDuringTesting.pdf
 - ITJ_Q3_2000_ThermalPerformanceChallenges.pdf
 - ITJ_Q3_98_Intels0.25MicronProcessTech.pdf
 - ITJ_Q3_98_IntelsQuarterMicronProcess.pdf
 - ITJ_Q3_98_MOSScaling_TransistorChallenges.pdf
 - ITJ_V06_02_130nmTech.pdf
 - ITJ_V06_02_EmergingPackaging.pdf
 - ITJ_V06_02_Process_300mmWafers.pdf
 - OptimizingApplicationswiththeIntelCompilersforWindowsandLinux.pdf
 - P4
 - CPUID.PDF
 - P4_423pinPKGand_i850chipset.pdf
 - P4_specification_update.pdf
 - P4overview.html
 - Ppro200
 - Ppro_Family_developers_manual_v1.pdf
 - ITRS2001
 - executivesummary_notes
 - IntelAssemblyinC.html
 - IntelP6_uses_Decoupled_Superscalar_design.pdf
 - LowPower.pdf
 - MSRbasedPerfMeasure_intelLinux.pdf
 - Memory_thermal_error.pdf
 - NTK_thermalproperties.pdf
 - P4
 - .nautilus-metafile.xml
 - Brink_Abysss_PerformanceMonitor.pdf
 - CompilerOptimizationsOnP4power.pdf
 - P4_floorplan.jpg
 - P4PerformanceMonitor.pdf
 - P4_1.4GHz_CINT2000.pdf
 - P4_mit_pres.pdf
 - P4_processor_optimization_manual.pdf
 - p4.htm
 - p4_13micron_die.jpg
 - p4_13micron_die.tif
 - p4_die.gif
 - p4_die.tif
 - p4pdie1.tif
 - p4pdie2.gif
 - p4pdie2.tif
 - validating_p4.pdf
 - P6
 - P6_power_charts
 - image2.gif
 - image3.gif
 - image4.gif
 - image5.gif
 - P6vsSimple.doc
 - sandpile_org -- IA-32 implementation -- Intel P6.htm

- sandpile_org -- IA-32 implementation -- Intel P6_files
 - WS_FTP.LOG
 - back.gif
 - filelist.xml
 - header.htm
 - logo_ani.gif
 - spacer.gif
- PCL_and_PerformanceCounters.pdf
- SPEC2000_flynn.pdf
- Sigmetrics2001_tutorial.pdf
- SiliconThermal.pdf
- ThermalCompModels_Hefner&Blackburn.pdf
- ThermalProperties.ppt
- ThermalProperties_AISiC.pdf
- ThermalProperties_AISiC_0.pdf
- ThermalRandCvaluesfor_Al_Si_Cu_etc.pdf
- cache_MESI.pdf
- cache_coherence.txt
- coolchips_lowpowertutorial.pdf
- gcc_default_optimizations.html
- kernel
 - Linux_Device_Drivers_2ndED
 - Linux_Device_drivers_2ndED.pdf
 - Linux_Device_Drivers_2ndED_book_pdf.rar
 - kernel5_1.pdf
 - kernel5_2.pdf
- micro36/
- multi-threading.html
- parapet-wced2001.pdf
- phases
 - energyProfiling_Incs02.pdf
 - energyProfiling_pacs02.pdf
- reducing_power_in_processors.pdf
- rjoseph-islped2001.pdf
- rjoseph-islped2001.ppt
- rjoseph-wced2001.ppt
- sg245155.pdf
- thermalX.html
- thermal_ct_hpca02.pdf
- thermal_detailed_skadron_ISCA2003.pdf
- transistor_crossection.jpg

- mrm_intel_slides
 - WS_FTP.LOG
 - castle_thermal.jpg
 - my_slides.ppt

- olden
 - olden_v1.01
 - COPYRIGHT
 - README
 - benchmarks
 - README
 - bh
 - Makefile
 - README
 - args.c
 - code.h
 - defs.h
 - newbh.c
 - stdinc.h
 - stdio.h
 - util.c
 - vectmath.h
 - bisort
 - Makefile
 - README
 - args.c
 - bitonic.c
 - node.h
 - proc.h
 - swap.c
 - em3d
 - Makefile
 - README
 - args.c
 - em3d.c
 - em3d.h
 - main.c
 - make_graph.c
 - make_graph.h
 - util.c

- util.h
- health
 - Makefile
 - README
 - args.c
 - health.c
 - health.h
 - list.c
 - poisson.c
- mst
 - Makefile
 - README
 - args.c
 - hash.c
 - hash.h
 - main.c
 - makegraph.c
 - mst.h
- perimeter
 - Makefile
 - README
 - args.c
 - main.c
 - maketree.c
 - perimeter.h
- power
 - Makefile
 - README
 - args.c
 - build.c
 - compute.c
 - main.c
 - power.h
- treeadd
 - Makefile
 - README
 - args.c
 - node.c
 - par-alloc.c
 - tree.h
- tsp
 - Makefile
 - README
 - args.c
 - build.c
 - constants.h
 - future-cell.h
 - main.c
 - mem-ref.h
 - tsp.c
 - tsp.h
- union
 - Makefile
 - README
 - args.c
 - main.c
 - maketree.c
 - union.h
- voronoi
 - Makefile
 - README
 - args.c
 - defines.h
 - newvor.c
 - output.c
 - vector.c
- mcc
 - COPYRIGHT
 - LCC-COPYRIGHT
 - README
 - cnw
 - c.h
 - callgraph.c
 - callgraph.h
 - config.h
 - dag.c
 - debug.c
 - debug.h
 - decl.c
 - eebtest.c

- _____ eebtest.h
- _____ enode.c
- _____ error.c
- _____ expr.c
- _____ gen.h
- _____ init.c
- _____ input.c
- _____ keywords.h
- _____ lex.c
- _____ main.c
- _____ makefile
- _____ mkfile
- _____ ops.h
- _____ output.c
- _____ pass1.c
- _____ pass1.h
- _____ pass2.c
- _____ pass2.h
- _____ profio.c
- _____ sets.c
- _____ sets.h
- _____ simp.c
- _____ stmt.c
- _____ string.c
- _____ sym.c
- _____ table.c
- _____ table.h
- _____ tests
 - _____ 2simpleloops.c
 - _____ 2whiles.c
 - _____ assign.c
 - _____ assign.d
 - _____ assign.out
 - _____ branch.c
 - _____ branch.d
 - _____ branch.out
 - _____ branch2.c
 - _____ branch2.d
 - _____ branch2.out
 - _____ break.d
 - _____ hardloop.c
 - _____ hardloop.d
 - _____ looptest.d
 - _____ many.d
 - _____ mcc
 - _____ msg.cpp
 - _____ msg2.cpp
 - _____ simple.c
 - _____ simple.d
 - _____ simple1loop.c
 - _____ simpleloop.c
 - _____ simpleloop.d
 - _____ simplewhilebreak.c
 - _____ switch.c
 - _____ switch.d
 - _____ while.c
 - _____ while.d
 - _____ while2.c
 - _____ while2.d
 - _____ while3.c
 - _____ while4.c
 - _____ whilebreak.c
- _____ token.h
- _____ tree.c
- _____ types.c
- _____ vector.c
- _____ vector.h
- _____ version.h
- _____ sparc
 - _____ backend
 - _____ README
 - _____ a_frame
 - _____ bind.c
 - _____ burm.c
 - _____ burm.sparc
 - _____ chartable.c
 - _____ chartable.h
 - _____ config.h
 - _____ decode.c
 - _____ emit.c

- gen.h
- gen4.c
- makefile
- mcc
- mcc.c
- md
- md.binary
- md.burg
- pseudos.c
- runtime.h
- stabbsd.c
- switch.c
- target.c
- makefile
- olden.doc
- papers
 - README
 - ppopp.ps.Z
 - toplas.ps.Z
- runtime
 - Makefile
 - README
 - accumulate
 - affinity.h
 - cache.c
 - cache.h
 - cache.o
 - cache.s
 - cache_asm.asm
 - cache_handlers.c
 - call_stub.asm
 - call_stub.h
 - collect.awk
 - constants.h
 - debug.c
 - future-cell.h
 - future.asm
 - init.c
 - mccvis.asm
 - mem-ref.h
 - mem.c
 - migrate.c
 - migrate.h
 - migrate_asm.asm
 - msg.c
 - msg.h
 - msg2.c
 - plain-mem.c
 - plain.c
 - plain2.asm
 - prof.c
 - prof_asm.asm
 - registers.h
 - rpc.c
 - rpc.h
 - rpc_handlers.c
 - stack.asm
 - stack_frame.h
 - threads.h
 - vis.c
 - vis.h
- olden_v1.01.zip
- olden_benchmarks.tar.Z
- olden_v1.01.zip
- performnace_eval
 - ch1a_slides.ps
 - ch1b_slides.ps
 - ch1c_slides.ps
 - ch4a_slides.ps
 - ch4b_slides.ps
 - hengartner00tcp.pdf
- presentation1
 - WS_FTP.LOG
 - research_presentation_1.ppt
- presentation4
 - 2003_07_01_082709_shot.jpg
 - 2003_07_01_082820_shot.jpg
 - 2003_07_01_082848_shot.jpg
 - 2003_07_01_082952_shot.jpg
 - 2003_07_01_083035_shot.jpg

- _____ 2003_07_01_083223_shot.jpg
- _____ 2003_07_01_083316_shot.jpg
- _____ 2003_07_21_161827_shot.jpg
- _____ 2003_07_21_164104_shot.jpg
- _____ GZIP_similarity_matrix.jpg
- _____ Gzip_threshold-0.01.power_phase.txt
- _____ Gzip_threshold-0.01.power_phase.xls
- _____ Gzip_threshold-0.01.reconstructed.txt
- _____ Gzip_threshold-0.01.reconstructed.xls
- _____ Gzip_threshold-0.10.power_phase.txt
- _____ Gzip_threshold-0.10.power_phase.xls
- _____ Gzip_threshold-0.10.reconstructed.txt
- _____ Gzip_threshold-0.10.reconstructed.xls
- _____ Gzip_threshold-0.10.representative_vectors
- _____ Gzip_threshold-0.10.representative_vectors.xls
- _____ PC_gzip_dataset1
- _____ PC_gzip_dataset1.xls
- _____ research_presentation4.ppt
- _____ research_presentation_2.ppt
- _____ research_presentation_2.ppt.old
- _____ research_presentation_3.ppt

_____ research_script

_____ screenshots

- _____ .thumbnails
- _____ 2002_09_30_212727_shot.jpg.png
- _____ 2002_10_22_230406_shot.jpg.png
- _____ 2002_10_22_230424_shot.jpg.png
- _____ 2002_11_21_095001_shot.jpg.png
- _____ 2002_11_21_095052_shot.jpg.png
- _____ 2003_04_09_164956_shot.jpg.png
- _____ 2003_04_09_165236_shot.jpg.png
- _____ 2003_04_09_173247_shot.jpg.png
- _____ 2003_04_24_012757_shot.jpg.png
- _____ 2003_04_28_140411_shot.jpg.png
- _____ 2003_05_01_060146_shot.jpg.png
- _____ 2003_05_01_080315_shot.jpg.png
- _____ 2003_05_05_151533_shot.jpg.png
- _____ 2003_05_05_152302_shot.jpg.png
- _____ torus.jpg.png
- _____ 2002_09_30_212727_shot.jpg
- _____ 2002_10_22_230406_shot.jpg
- _____ 2002_10_22_230424_shot.jpg
- _____ 2002_11_21_095001_shot.jpg
- _____ 2002_11_21_095052_shot.jpg
- _____ 2003_04_09_164956_shot.jpg
- _____ 2003_04_09_165236_shot.jpg
- _____ 2003_04_09_173247_shot.jpg
- _____ 2003_04_24_012757_shot.jpg
- _____ 2003_04_28_140411_shot.jpg
- _____ 2003_05_01_060146_shot.jpg
- _____ 2003_05_01_080315_shot.jpg
- _____ 2003_05_05_152302_shot.jpg
- _____ 2003_05_18_013205_shot.jpg
- _____ 2003_05_18_013215_shot.jpg
- _____ 2003_05_18_013217_shot.jpg
- _____ 2003_05_18_013218_shot.jpg
- _____ 2003_05_18_013228_shot.jpg
- _____ 2003_05_18_013230_shot.jpg
- _____ 2003_05_18_013231_shot.jpg
- _____ 2003_05_18_013233_shot.jpg
- _____ 2003_05_18_013235_shot.jpg
- _____ 2003_05_18_013236_shot.jpg
- _____ 2003_05_18_013238_shot.jpg
- _____ 2003_05_18_013240_shot.jpg
- _____ 2003_05_18_013242_shot.jpg
- _____ 2003_05_18_013243_shot.jpg
- _____ 2003_05_18_013245_shot.jpg
- _____ 2003_05_18_013247_shot.jpg
- _____ 2003_05_18_013248_shot.jpg
- _____ 2003_05_18_013250_shot.jpg
- _____ 2003_05_18_013252_shot.jpg
- _____ 2003_05_18_020446_shot.jpg
- _____ 2003_05_18_020447_shot.jpg
- _____ 2003_05_18_020449_shot.jpg
- _____ 2003_05_18_020450_shot.jpg
- _____ 2003_05_18_020451_shot.jpg
- _____ 2003_05_18_020452_shot.jpg
- _____ 2003_05_18_020454_shot.jpg
- _____ 2003_05_18_020455_shot.jpg
- _____ 2003_05_18_020456_shot.jpg

2003_05_18_020458_shot.jpg
2003_05_18_020459_shot.jpg
2003_05_18_020500_shot.jpg
2003_05_18_020502_shot.jpg
2003_05_18_020503_shot.jpg
2003_05_25_102423_shot.jpg
2003_05_25_102426_shot.jpg
2003_05_25_102430_shot.jpg
2003_05_25_102443_shot.jpg
2003_05_25_102445_shot.jpg
2003_05_25_102446_shot.jpg
2003_05_25_102448_shot.jpg
2003_05_25_102452_shot.jpg
2003_05_25_102503_shot.jpg
2003_05_25_102507_shot.jpg
2003_05_25_102521_shot.jpg
2003_05_25_102536_shot.jpg
2003_05_25_102538_shot.jpg
2003_05_25_102539_shot.jpg
2003_05_25_102541_shot.jpg
2003_05_25_102559_shot.jpg
2003_05_25_102602_shot.jpg
2003_05_25_102604_shot.jpg
2003_05_25_102606_shot.jpg
2003_05_25_102607_shot.jpg
2003_05_25_102609_shot.jpg
2003_05_25_102610_shot.jpg
2003_05_25_102613_shot.jpg
2003_05_25_102615_shot.jpg
2003_05_25_102616_shot.jpg
2003_05_25_102618_shot.jpg
2003_05_25_102619_shot.jpg
2003_05_25_102621_shot.jpg
2003_05_25_102622_shot.jpg
2003_05_25_102625_shot.jpg
2003_05_26_193648_shot.jpg
2003_05_26_193650_shot.jpg
2003_05_26_193659_shot.jpg
2003_05_26_194730_shot.jpg
2003_05_26_194846_shot.jpg
2003_05_26_195017_shot.jpg
2003_05_26_195113_shot.jpg
2003_05_26_195150_shot.jpg
2003_05_26_195151_shot.jpg
2003_05_26_195153_shot.jpg
2003_05_26_195154_shot.jpg
2003_05_26_195156_shot.jpg
2003_05_26_195647_shot.jpg
2003_05_26_195648_shot.jpg
2003_05_26_195650_shot.jpg
2003_05_26_195651_shot.jpg
2003_05_26_195653_shot.jpg
2003_05_26_195654_shot.jpg
2003_05_26_195655_shot.jpg
2003_05_26_195657_shot.jpg
2003_05_26_195658_shot.jpg
2003_05_26_195701_shot.jpg
2003_05_26_195702_shot.jpg
2003_05_26_195703_shot.jpg
2003_05_26_195704_shot.jpg
2003_05_26_195705_shot.jpg
2003_05_26_195716_shot.jpg
2003_05_26_195718_shot.jpg
2003_05_26_195719_shot.jpg
2003_05_26_195721_shot.jpg
2003_05_26_195722_shot.jpg
2003_05_26_195724_shot.jpg
2003_05_26_195739_shot.jpg
2003_05_26_195741_shot.jpg
2003_05_26_195746_shot.jpg
2003_05_26_195748_shot.jpg
2003_05_26_195749_shot.jpg
2003_05_26_195751_shot.jpg
2003_05_26_195753_shot.jpg
2003_05_26_195755_shot.jpg
2003_05_26_195757_shot.jpg
2003_05_26_195758_shot.jpg
2003_05_26_195801_shot.jpg
2003_05_26_195804_shot.jpg
2003_05_26_195805_shot.jpg

2003_05_26_195807_shot.jpg
2003_05_26_195809_shot.jpg
2003_05_26_195831_shot.jpg
2003_05_26_195922_shot.jpg
2003_05_26_231643_shot.jpg
2003_05_26_231645_shot.jpg
2003_05_26_231647_shot.jpg
2003_05_26_231654_shot.jpg
2003_05_26_231656_shot.jpg
2003_05_26_233359_shot.jpg
2003_05_26_233401_shot.jpg
2003_05_26_233402_shot.jpg
2003_05_26_233404_shot.jpg
2003_05_26_233405_shot.jpg
2003_05_26_233407_shot.jpg
2003_05_26_233408_shot.jpg
2003_05_26_233410_shot.jpg
2003_05_26_233411_shot.jpg
2003_05_26_233413_shot.jpg
2003_05_26_233414_shot.jpg
2003_05_26_233416_shot.jpg
2003_05_26_233418_shot.jpg
2003_05_26_233421_shot.jpg
2003_05_26_233423_shot.jpg
2003_05_26_233424_shot.jpg
2003_05_26_233426_shot.jpg
2003_05_26_233455_shot.jpg
2003_05_26_233456_shot.jpg
2003_05_26_233458_shot.jpg
2003_05_26_233459_shot.jpg
2003_05_26_233501_shot.jpg
2003_05_26_234320_shot.jpg
2003_05_26_234324_shot.jpg
2003_05_26_234326_shot.jpg
2003_05_26_234343_shot.jpg
2003_05_26_234347_shot.jpg
2003_05_26_234349_shot.jpg
2003_05_26_234353_shot.jpg
2003_05_26_234401_shot.jpg
2003_05_26_234404_shot.jpg
2003_05_26_234406_shot.jpg
2003_05_26_234411_shot.jpg
2003_05_26_234450_shot.jpg
2003_05_26_234452_shot.jpg
2003_05_27_000617_shot.jpg
2003_08_13_222340_shot.jpg
2003_10_10_163013_shot.jpg
2003_10_10_174602_shot.jpg
2003_10_10_213724_shot.jpg
2003_10_10_215814_shot.jpg
2003_10_10_222333_shot.jpg
2003_10_10_222707_shot.jpg
2003_10_15_161750_shot.jpg
2003_10_15_164916_shot.jpg
2003_10_16_005813_shot.jpg
2003_10_16_025218_shot.jpg
2003_10_16_040201_shot.jpg
2003_10_16_040858_shot.jpg
2003_10_16_041954_shot.jpg
2003_10_16_120525_shot.jpg
2003_10_16_120814_shot.jpg
2003_10_16_122255_shot.jpg
2003_10_16_122700_shot.jpg
2003_11_13_163558_shot.jpg
2003_11_13_163743_shot.jpg
2003_11_13_163903_shot.jpg
2003_11_13_164308_shot.jpg
2003_11_13_165114_shot.jpg
2003_11_13_165424_shot.jpg
2003_11_18_173447_shot.jpg
2003_11_18_174153_shot.jpg

PAPER

.xvpics

Area_based_model.ps
L1DcachelowL2hit_replace.ps
PowerPlotter_example.ps
Tuningv1_model.ps
branchBars.ps
dcache_hitL1.ps
dcache_missL1hitL2.ps

- dcache_missL1missL2.ps
- Area_based_model.jpg
- Area_based_model.ps
- GCC_similarity_matrix.jpg
- GZIP_similarity_matrix.jpg
- PowerPlotter_example.jpg
- PowerPlotter_example.ps
- Tuningv1_model.jpg
- Tuningv1_model.ps
- branchBars.jpg
- dcache_hitL1.jpg
- dcache_missL1hitL2.jpg
- dcache_missL1missL2.jpg
- ele580i
 - .thumbnails
 - mesh.jpg.png
 - sparse.jpg.png
 - torus.jpg.png
 - mesh.jpg
 - sparse.jpg
 - torus.jpg
- jiggles
 - .thumbnails
 - 5x5Vlines_together.jpg.png
 - clamp_not_around_wires.jpg.png
 - other_pwr_lines_vs_12V.jpg.png
 - power_12V_nowire_5V.jpg.png
 - power_for_individual_12V_lines.jpg.png
 - win2000_still_ripples.jpg.png
 - 5x5Vlines_together.jpg
 - clamp_not_around_wires.jpg
 - jiggles_notClamprelated_not_DMMrelated.jpg
 - other_pwr_lines_vs_12V.jpg
 - power_12V_nowire_5V.jpg
 - power_for_individual_12V_lines.jpg
 - win2000_still_ripples.jpg
- phases
 - 2003_07_01_082709_shot.jpg
 - 2003_07_01_082820_shot.jpg
 - 2003_07_01_082848_shot.jpg
 - 2003_07_01_082952_shot.jpg
 - 2003_07_01_083035_shot.jpg
 - 2003_07_01_083223_shot.jpg
 - 2003_07_01_083316_shot.jpg
 - 2003_07_21_161827_shot.jpg
 - 2003_07_21_164104_shot.jpg
 - GZIP_similarity_matrix.jpg
- power_plots
 - Area_based_model.jpg
 - PRES_gap_crafty.jpg
 - PRES_gcc_vpr.jpg
 - PRES_gzip_vpr_vortex.jpg
 - PRES_vortex_gap.jpg
 - Tuningv1_model.jpg
 - crafty_parser.jpg
 - gap_vortex.jpg
 - gcc_vpr_gzip.jpg
- thumb-2002_09_30_212727_shot.jpg
- thumb-2002_10_22_230406_shot.jpg
- thumb-2002_10_22_230424_shot.jpg
- thumb-2003_04_09_164956_shot.jpg
- thumb-2003_04_09_165236_shot.jpg
- thumb-2003_04_09_173247_shot.jpg
- thumb-2003_04_24_012757_shot.jpg
- thumb-2003_04_24_020655_shot.jpg
- thumb-2003_04_28_140411_shot.jpg
- thumb-2003_05_01_060146_shot.jpg
- thumb-2003_05_01_080315_shot.jpg
- thumb-2003_05_01_175509_shot.jpg
- thumb-2003_05_01_175855_shot.jpg
- thumb-2003_05_01_180602_shot.jpg
- thumb-2003_05_01_180933_shot.jpg
- thumb-2003_05_01_182646_shot.jpg
- thumb-2003_05_02_174730_shot.jpg
- thumb-2003_05_05_151533_shot.jpg
- thumb-2003_05_05_152302_shot.jpg
- thumb-2003_05_08_044804_shot.jpg
- thumb-2003_05_08_045823_shot.jpg
- thumb-2003_05_08_050055_shot.jpg
- thumb-2003_05_12_144333_shot.jpg

thumb-2003_05_12_145102_shot.jpg
thumb-2003_05_17_204623_shot.jpg
thumb-2003_05_17_204746_shot.jpg
thumb-2003_05_17_212313_shot.jpg
thumb-2003_05_17_212326_shot.jpg
thumb-2003_05_17_213046_shot.jpg
thumb-2003_05_17_213050_shot.jpg
thumb-2003_05_17_213110_shot.jpg
thumb-2003_05_17_220628_shot.jpg
thumb-2003_05_17_220636_shot.jpg
thumb-2003_05_17_223537_shot.jpg
thumb-2003_05_17_223540_shot.jpg
thumb-2003_05_17_223634_shot.jpg
thumb-2003_05_18_000751_shot.jpg
thumb-2003_05_18_000759_shot.jpg
thumb-2003_05_18_000808_shot.jpg
thumb-2003_05_18_000814_shot.jpg
thumb-2003_05_18_001000_shot.jpg
thumb-2003_05_18_001025_shot.jpg
thumb-2003_05_18_001115_shot.jpg
thumb-2003_05_18_001119_shot.jpg
thumb-2003_05_18_001143_shot.jpg
thumb-2003_05_18_004322_shot.jpg
thumb-2003_05_18_004329_shot.jpg
thumb-2003_05_18_004341_shot.jpg
thumb-2003_05_18_004424_shot.jpg
thumb-2003_05_18_004430_shot.jpg
thumb-2003_05_18_010120_shot.jpg
thumb-2003_05_18_010200_shot.jpg
thumb-2003_05_18_010221_shot.jpg
thumb-2003_05_18_011134_shot.jpg
thumb-2003_05_18_011142_shot.jpg
thumb-2003_05_18_011200_shot.jpg
thumb-2003_05_18_011346_shot.jpg
thumb-2003_05_18_011946_shot.jpg
thumb-2003_05_18_011950_shot.jpg
thumb-2003_05_18_011954_shot.jpg
thumb-2003_05_18_011956_shot.jpg
thumb-2003_05_18_012000_shot.jpg
thumb-2003_05_18_012001_shot.jpg
thumb-2003_05_18_012003_shot.jpg
thumb-2003_05_18_012005_shot.jpg
thumb-2003_05_18_012006_shot.jpg
thumb-2003_05_18_012008_shot.jpg
thumb-2003_05_18_012009_shot.jpg
thumb-2003_05_18_012011_shot.jpg
thumb-2003_05_18_012013_shot.jpg
thumb-2003_05_18_012014_shot.jpg
thumb-2003_05_18_012016_shot.jpg
thumb-2003_05_18_012018_shot.jpg
thumb-2003_05_18_012019_shot.jpg
thumb-2003_05_18_012021_shot.jpg
thumb-2003_05_18_012023_shot.jpg
thumb-2003_05_18_012025_shot.jpg
thumb-2003_05_18_012027_shot.jpg
thumb-2003_05_18_012029_shot.jpg
thumb-2003_05_18_012031_shot.jpg
thumb-2003_05_18_012032_shot.jpg
thumb-2003_05_18_013205_shot.jpg
thumb-2003_05_18_013206_shot.jpg
thumb-2003_05_18_013207_shot.jpg
thumb-2003_05_18_013209_shot.jpg
thumb-2003_05_18_013211_shot.jpg
thumb-2003_05_18_013215_shot.jpg
thumb-2003_05_18_013217_shot.jpg
thumb-2003_05_18_013218_shot.jpg
thumb-2003_05_18_013228_shot.jpg
thumb-2003_05_18_013230_shot.jpg
thumb-2003_05_18_013231_shot.jpg
thumb-2003_05_18_013233_shot.jpg
thumb-2003_05_18_013235_shot.jpg
thumb-2003_05_18_013236_shot.jpg
thumb-2003_05_18_013238_shot.jpg
thumb-2003_05_18_013240_shot.jpg
thumb-2003_05_18_013242_shot.jpg
thumb-2003_05_18_013243_shot.jpg
thumb-2003_05_18_013245_shot.jpg
thumb-2003_05_18_013247_shot.jpg
thumb-2003_05_18_013248_shot.jpg
thumb-2003_05_18_013250_shot.jpg

thumb-2003_05_18_013252_shot.jpg
thumb-2003_05_18_015003_shot.jpg
thumb-2003_05_18_015522_shot.jpg
thumb-2003_05_18_020120_shot.jpg
thumb-2003_05_18_020141_shot.jpg
thumb-2003_05_18_020335_shot.jpg
thumb-2003_05_18_020338_shot.jpg
thumb-2003_05_18_020339_shot.jpg
thumb-2003_05_18_020341_shot.jpg
thumb-2003_05_18_020342_shot.jpg
thumb-2003_05_18_020343_shot.jpg
thumb-2003_05_18_020345_shot.jpg
thumb-2003_05_18_020346_shot.jpg
thumb-2003_05_18_020446_shot.jpg
thumb-2003_05_18_020447_shot.jpg
thumb-2003_05_18_020449_shot.jpg
thumb-2003_05_18_020450_shot.jpg
thumb-2003_05_18_020451_shot.jpg
thumb-2003_05_18_020452_shot.jpg
thumb-2003_05_18_020454_shot.jpg
thumb-2003_05_18_020455_shot.jpg
thumb-2003_05_18_020456_shot.jpg
thumb-2003_05_18_020458_shot.jpg
thumb-2003_05_18_020459_shot.jpg
thumb-2003_05_18_020500_shot.jpg
thumb-2003_05_18_020502_shot.jpg
thumb-2003_05_18_020503_shot.jpg
thumb-2003_05_18_020504_shot.jpg
thumb-2003_05_18_020506_shot.jpg
thumb-2003_05_18_020507_shot.jpg
thumb-2003_05_18_020508_shot.jpg
thumb-2003_05_18_162220_shot.jpg
thumb-2003_05_18_162548_shot.jpg
thumb-2003_05_18_215437_shot.jpg
thumb-2003_05_18_215757_shot.jpg
thumb-2003_05_18_220309_shot.jpg
thumb-2003_05_18_220312_shot.jpg
thumb-2003_05_18_220352_shot.jpg
thumb-2003_05_18_220434_shot.jpg
thumb-2003_05_18_220857_shot.jpg
thumb-2003_05_25_102423_shot.jpg
thumb-2003_05_25_102426_shot.jpg
thumb-2003_05_25_102430_shot.jpg
thumb-2003_05_25_102443_shot.jpg
thumb-2003_05_25_102445_shot.jpg
thumb-2003_05_25_102446_shot.jpg
thumb-2003_05_25_102448_shot.jpg
thumb-2003_05_25_102452_shot.jpg
thumb-2003_05_25_102503_shot.jpg
thumb-2003_05_25_102507_shot.jpg
thumb-2003_05_25_102508_shot.jpg
thumb-2003_05_25_102517_shot.jpg
thumb-2003_05_25_102519_shot.jpg
thumb-2003_05_25_102521_shot.jpg
thumb-2003_05_25_102522_shot.jpg
thumb-2003_05_25_102532_shot.jpg
thumb-2003_05_25_102533_shot.jpg
thumb-2003_05_25_102535_shot.jpg
thumb-2003_05_25_102536_shot.jpg
thumb-2003_05_25_102538_shot.jpg
thumb-2003_05_25_102539_shot.jpg
thumb-2003_05_25_102541_shot.jpg
thumb-2003_05_25_102559_shot.jpg
thumb-2003_05_25_102602_shot.jpg
thumb-2003_05_25_102604_shot.jpg
thumb-2003_05_25_102606_shot.jpg
thumb-2003_05_25_102607_shot.jpg
thumb-2003_05_25_102609_shot.jpg
thumb-2003_05_25_102610_shot.jpg
thumb-2003_05_25_102612_shot.jpg
thumb-2003_05_25_102613_shot.jpg
thumb-2003_05_25_102615_shot.jpg
thumb-2003_05_25_102616_shot.jpg
thumb-2003_05_25_102618_shot.jpg
thumb-2003_05_25_102619_shot.jpg
thumb-2003_05_25_102621_shot.jpg
thumb-2003_05_25_102622_shot.jpg
thumb-2003_05_25_102625_shot.jpg
thumb-2003_05_26_193648_shot.jpg
thumb-2003_05_26_193650_shot.jpg

thumb-2003_05_26_193659_shot.jpg
thumb-2003_05_26_194730_shot.jpg
thumb-2003_05_26_194846_shot.jpg
thumb-2003_05_26_195017_shot.jpg
thumb-2003_05_26_195113_shot.jpg
thumb-2003_05_26_195150_shot.jpg
thumb-2003_05_26_195151_shot.jpg
thumb-2003_05_26_195153_shot.jpg
thumb-2003_05_26_195154_shot.jpg
thumb-2003_05_26_195156_shot.jpg
thumb-2003_05_26_195641_shot.jpg
thumb-2003_05_26_195647_shot.jpg
thumb-2003_05_26_195648_shot.jpg
thumb-2003_05_26_195650_shot.jpg
thumb-2003_05_26_195651_shot.jpg
thumb-2003_05_26_195653_shot.jpg
thumb-2003_05_26_195654_shot.jpg
thumb-2003_05_26_195655_shot.jpg
thumb-2003_05_26_195657_shot.jpg
thumb-2003_05_26_195658_shot.jpg
thumb-2003_05_26_195701_shot.jpg
thumb-2003_05_26_195702_shot.jpg
thumb-2003_05_26_195703_shot.jpg
thumb-2003_05_26_195704_shot.jpg
thumb-2003_05_26_195705_shot.jpg
thumb-2003_05_26_195716_shot.jpg
thumb-2003_05_26_195718_shot.jpg
thumb-2003_05_26_195719_shot.jpg
thumb-2003_05_26_195721_shot.jpg
thumb-2003_05_26_195722_shot.jpg
thumb-2003_05_26_195724_shot.jpg
thumb-2003_05_26_195739_shot.jpg
thumb-2003_05_26_195741_shot.jpg
thumb-2003_05_26_195746_shot.jpg
thumb-2003_05_26_195748_shot.jpg
thumb-2003_05_26_195749_shot.jpg
thumb-2003_05_26_195751_shot.jpg
thumb-2003_05_26_195753_shot.jpg
thumb-2003_05_26_195755_shot.jpg
thumb-2003_05_26_195757_shot.jpg
thumb-2003_05_26_195758_shot.jpg
thumb-2003_05_26_195801_shot.jpg
thumb-2003_05_26_195804_shot.jpg
thumb-2003_05_26_195805_shot.jpg
thumb-2003_05_26_195807_shot.jpg
thumb-2003_05_26_195809_shot.jpg
thumb-2003_05_26_195831_shot.jpg
thumb-2003_05_26_195922_shot.jpg
thumb-2003_05_26_231643_shot.jpg
thumb-2003_05_26_231645_shot.jpg
thumb-2003_05_26_231647_shot.jpg
thumb-2003_05_26_231654_shot.jpg
thumb-2003_05_26_231656_shot.jpg
thumb-2003_05_26_233359_shot.jpg
thumb-2003_05_26_233401_shot.jpg
thumb-2003_05_26_233402_shot.jpg
thumb-2003_05_26_233404_shot.jpg
thumb-2003_05_26_233405_shot.jpg
thumb-2003_05_26_233407_shot.jpg
thumb-2003_05_26_233408_shot.jpg
thumb-2003_05_26_233410_shot.jpg
thumb-2003_05_26_233411_shot.jpg
thumb-2003_05_26_233413_shot.jpg
thumb-2003_05_26_233414_shot.jpg
thumb-2003_05_26_233416_shot.jpg
thumb-2003_05_26_233418_shot.jpg
thumb-2003_05_26_233421_shot.jpg
thumb-2003_05_26_233423_shot.jpg
thumb-2003_05_26_233424_shot.jpg
thumb-2003_05_26_233426_shot.jpg
thumb-2003_05_26_233455_shot.jpg
thumb-2003_05_26_233456_shot.jpg
thumb-2003_05_26_233458_shot.jpg
thumb-2003_05_26_233459_shot.jpg
thumb-2003_05_26_233501_shot.jpg
thumb-2003_05_26_234320_shot.jpg
thumb-2003_05_26_234324_shot.jpg
thumb-2003_05_26_234326_shot.jpg
thumb-2003_05_26_234343_shot.jpg
thumb-2003_05_26_234347_shot.jpg

thumb-2003_05_26_234349_shot.jpg
thumb-2003_05_26_234353_shot.jpg
thumb-2003_05_26_234401_shot.jpg
thumb-2003_05_26_234404_shot.jpg
thumb-2003_05_26_234406_shot.jpg
thumb-2003_05_26_234411_shot.jpg
thumb-2003_05_26_234450_shot.jpg
thumb-2003_05_26_234452_shot.jpg
thumb-2003_05_27_000617_shot.jpg
thumb-2003_05_29_201154_shot.jpg
thumb-2003_05_29_205325_shot.jpg
thumb-2003_06_01_010752_shot.jpg
thumb-2003_06_01_010825_shot.jpg
thumb-2003_06_01_010953_shot.jpg
thumb-2003_06_01_011242_shot.jpg
thumb-2003_06_01_011356_shot.jpg
thumb-2003_06_01_011513_shot.jpg
thumb-2003_06_01_011622_shot.jpg
thumb-2003_06_01_012021_shot.jpg
thumb-2003_06_23_143020_shot.jpg
thumb-2003_06_23_143023_shot.jpg
thumb-2003_07_01_082114_shot.jpg
thumb-2003_07_01_082430_shot.jpg
thumb-2003_07_01_082709_shot.jpg
thumb-2003_07_01_082820_shot.jpg
thumb-2003_07_01_082848_shot.jpg
thumb-2003_07_01_082952_shot.jpg
thumb-2003_07_01_083035_shot.jpg
thumb-2003_07_01_083223_shot.jpg
thumb-2003_07_01_083316_shot.jpg
thumb-2003_07_21_161827_shot.jpg
thumb-2003_07_21_164104_shot.jpg
thumb-2003_07_31_070642_shot.jpg
thumb-2003_07_31_070645_shot.jpg
thumb-2003_07_31_105339_shot.jpg
thumb-2003_07_31_111555_shot.jpg
thumb-2003_07_31_121010_shot.jpg
thumb-2003_08_01_085741_shot.jpg
thumb-2003_08_01_085949_shot.jpg
thumb-2003_08_01_092727_shot.jpg
thumb-2003_08_01_093010_shot.jpg
thumb-2003_08_01_093151_shot.jpg
thumb-2003_08_01_093517_shot.jpg
thumb-2003_08_01_093607_shot.jpg
thumb-2003_08_01_093706_shot.jpg
thumb-2003_08_01_093837_shot.jpg
thumb-2003_08_13_222340_shot.jpg
thumb-2003_10_09_155136_shot.jpg
thumb-2003_10_09_155213_shot.jpg
thumb-2003_10_09_155223_shot.jpg
thumb-2003_10_09_155308_shot.jpg
thumb-2003_10_09_155438_shot.jpg
thumb-2003_10_09_155506_shot.jpg
thumb-2003_10_10_163013_shot.jpg
thumb-2003_10_10_174602_shot.jpg
thumb-2003_10_10_213724_shot.jpg
thumb-2003_10_10_215814_shot.jpg
thumb-2003_10_10_222333_shot.jpg
thumb-2003_10_10_222707_shot.jpg
thumb-2003_10_15_161750_shot.jpg
thumb-2003_10_15_164916_shot.jpg
thumb-2003_10_16_005813_shot.jpg
thumb-2003_10_16_025218_shot.jpg
thumb-2003_10_16_040201_shot.jpg
thumb-2003_10_16_040858_shot.jpg
thumb-2003_10_16_041954_shot.jpg
thumb-2003_10_16_120525_shot.jpg
thumb-2003_10_16_120814_shot.jpg
thumb-2003_10_16_122255_shot.jpg
thumb-2003_10_16_122700_shot.jpg
thumb-2003_11_13_163558_shot.jpg
thumb-2003_11_13_163743_shot.jpg
thumb-2003_11_13_163903_shot.jpg
thumb-2003_11_13_164308_shot.jpg
thumb-2003_11_13_165114_shot.jpg
thumb-2003_11_13_165424_shot.jpg
thumb-2003_11_18_173447_shot.jpg
thumb-2003_11_18_174153_shot.jpg
torus.jpg

- sil
- sil.abw
- sil.ps
- sil.tex
- sil.txt
- sil2.txt
- sill
- sill.bak
- spim-6.4
 - .spim-made
 - BLURB
 - ChangeLog
 - Configure
 - Documentation
 - Amiga_Patches
 - Amiga_Port
 - blurb.tex
 - cause_reg.id
 - cycle.ps
 - io_reg.id
 - mem.id
 - mips.id
 - spim.ps
 - spim.tex
 - stack-frame.id
 - status_reg.id
 - xinterface.id
 - Imakefile
 - MAKEFILE.DOS
 - Makefile
 - Makefile.cygwin
 - Makefile.std
 - README
 - SpimHOWTO_cant
 - Tests
 - tt.alu.bare.OK
 - tt.alu.bare.s
 - tt.bare.OK
 - tt.bare.s
 - tt.be.OK
 - tt.be.s
 - tt.fpu.bare.OK
 - tt.fpu.bare.s
 - tt.in
 - tt.io.s
 - tt.le.OK
 - tt.le.s
 - VERSION
 - buttons.c
 - buttons.h
 - cant1.s
 - cant2.s
 - configuration
 - data.c
 - data.h
 - data.o
 - display-utils.c
 - display-utils.o
 - dosnames.txt
 - endian.c
 - inst.c
 - inst.h
 - inst.o
 - lex.yy.c
 - lex.yy.o
 - mem.c
 - mem.h
 - mem.o
 - mips-syscall.c
 - mips-syscall.h
 - mips-syscall.o
 - op.h
 - parser.h
 - parser.output
 - parser.tab.c
 - parser.tab.h
 - parser.y
 - read-aout.h
 - reg.h
 - run.c

- _____ run.h
- _____ run.o
- _____ scanner.h
- _____ scanner.l
- _____ skeleton.s
- _____ spim
- _____ spim-syscall.h
- _____ spim-utils.c
- _____ spim-utils.h
- _____ spim-utils.o
- _____ spim.c
- _____ spim.h
- _____ spim.html
- _____ spim.man
- _____ spim.o
- _____ spimdoc.pdf
- _____ sym-tbl.c
- _____ sym-tbl.h
- _____ sym-tbl.o
- _____ trap.handler
- _____ windows.c
- _____ windows.h
- _____ xspim.c
- _____ xspim.h
- _____ xspim.man
- _____ y.tab.c
- _____ y.tab.h
- _____ y.tab.o

_____ sw.ps

_____ undergrads.pdf